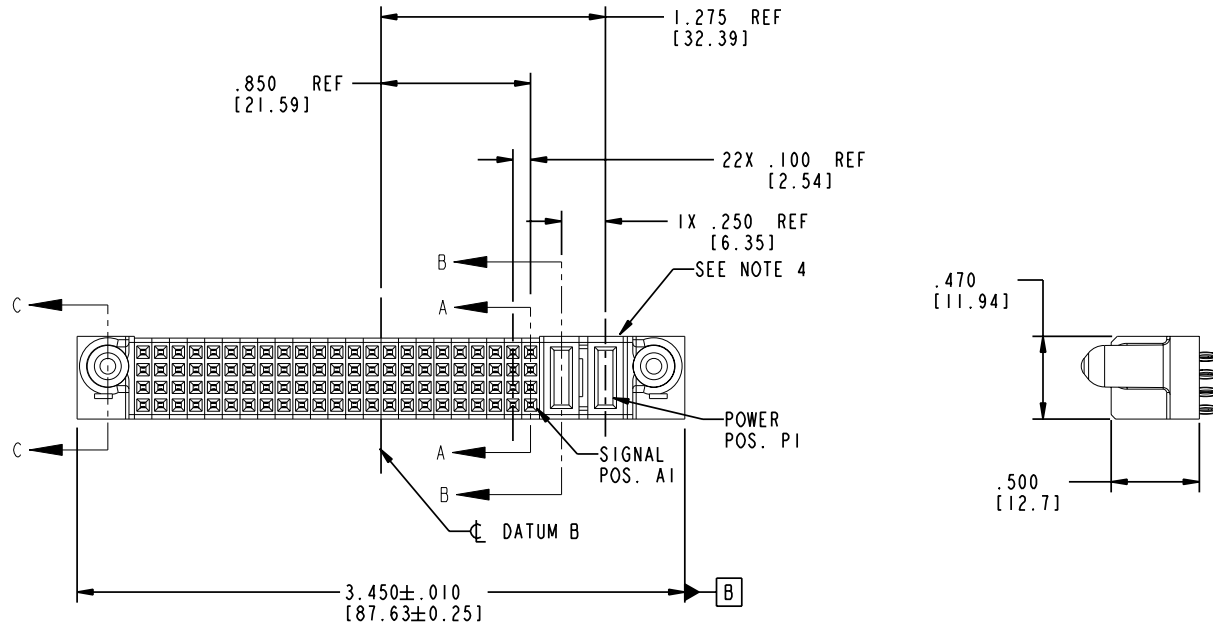


Tous droits strictement réservés. Reproduction ou communication à des tiers interdite sous quelque forme que ce soit sans autorisation écrite du propriétaire. Propriété de c FCI. Droits de reproduction FCI.

All rights strictly reserved. Reproduction or issue to third parties in any form whatever is not permitted without written authority from the proprietor. Property of FCI. Copyright FCI.

PRODUCT NO.	ROWS	SIGNAL																							POWER						
		E2	23	22	21	20	19	18	17	16	15	14	13	12	11	10	9	8	7	6	5	4	3	2	1	P2	P1	E1			
51752-010-- Note: ③	D C B A		F	F	F	F	F	F	F	F	F	F	F	F	F	F	F	F	F	F	F	F	F	F	F	F	F	PC	PF		
		F	F	F	F	F	F	F	F	F	F	F	F	F	F	F	F	F	F	F	F	F	F	F	F	F	F	F	F	F	F
		F	F	F	F	F	F	F	F	F	F	F	F	F	F	F	F	F	F	F	F	F	F	F	F	F	F	F	F	F	F



CODE	DIM "M" MATING LENGTH	CONTACT TYPE
PC	.042 [1.07]	POWER
F	N/A [N/A]	SIGNAL
PF	.092 [2.34]	POWER

mat'l code				SEE NOTE 2		tolerances unless otherwise specified		CUSTOMER		FCI		www.fciconnect.com	
ltr	ecn no.	dr	date	linear	XX±.01/0.X±0.3	projection		COPY		title		2P + 92S	
A	V03-0855	MEM	8/5/03	linear	.XXX±.005/0.XX±0.13	INCH/MM		product family		PwrBlade		code	
B	DG05-0182	SJ	06/22/05	angles	.XXX±.0020/0.XX±0.051	scale		size		dwg no		213	
				dr	0±?	1:1		51752-010		sheet		1 of 4	
				enr	M. MOSTOLLER 8/5/03								
				chr	M. BREWBAKER 8/5/03								
				appd	M. MOSTOLLER 8/5/03								
sheet index	revision	B	B	B	B								
	sheet	1	2	3	4								

cage code **22526**

Pro/E

PDM: Rev:B

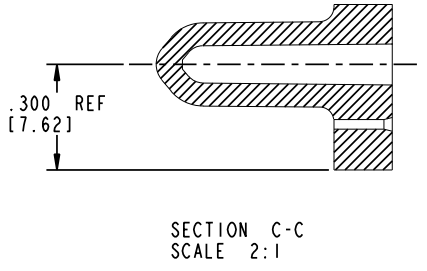
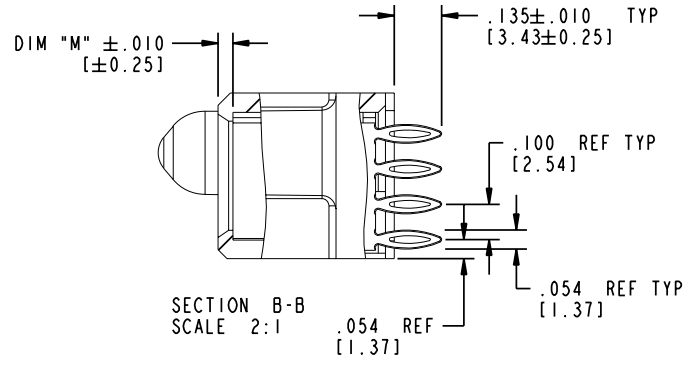
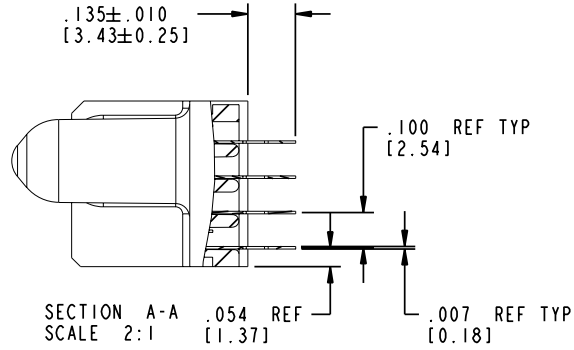
STATUS: Released

Printed: Dec 20, 2010

Tous droits strictement réservés. Reproduction ou communication a des tiers interdite sous quelque forme que ce soit sans autorisation écrite du propriétaire. Propriété de c FCI. Droits de reproduction FCI.

All rights strictly reserved. Reproduction or issue to third parties in any form whatever is not permitted without written authority from the proprietor. Property of FCI. Copyright FCI.

PRODUCT NUMBER
51752-010
 Note: ③



mat'l code		SEE NOTE 2		tolerances unless otherwise specified		CUSTOMER		 www.fciconnect.com	
ltr	ecn no.	dr	date	linear	.XX±.01/0.X±0.3	COPY		projection	title
B					.XXX±.005/0.XX±0.13				2P + 92S
				angles	.XXX±.0020/0.XX±0.051				VERTICAL PRESS FIT RECEIPT
				dr	0° ± 2°				product family
				enr	M. MOSTOLLER 8/5/03	INCH/MM		scale	PwrBlade
				chr	M. MOSTOLLER 8/5/03	1:1		size	code
				appd	H. BREWBAKER 8/5/03			dwg no	213
sheet index	revision sheet							A	51752-010
									2 of 4

Pro/E

cage code **22526**

PDM: Rev:B

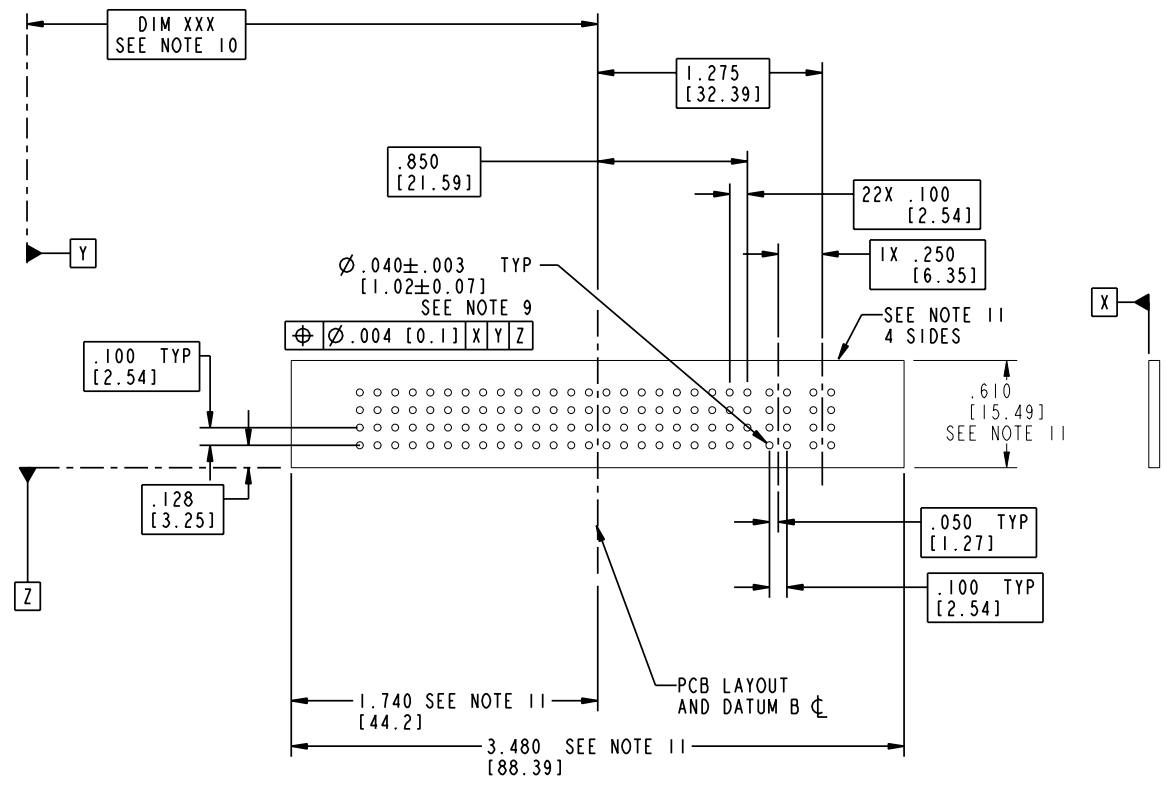
STATUS: Released

Printed: Dec 20, 2010

Tous droits strictement réservés. Reproduction ou communication a des tiers interdite sous quelque forme que ce soit sans autorisation écrite du propriétaire. Propriété de c FCI. Droits de reproduction FCI.

All rights strictly reserved. Reproduction or issue to third parties in any form whatever is not permitted without written authority from the proprietor. Property of FCI. Copyright FCI.

PRODUCT NUMBER
51752-010
 Note: ③



mat'l code		SEE NOTE 2		tolerances unless otherwise specified		CUSTOMER		 www.fciconnect.com	
ltr	ecn no.	dr	date	linear	$.XX \pm .01 / 0.X \pm 0.3$ $.XXX \pm .005 / 0.XX \pm 0.13$ $.XXXX \pm .0020 / 0.XXX \pm 0.051$	projection		title	
B				angles	$0 \pm 2^\circ$			2P + 92S VERTICAL PRESS FIT RECEIPT	
		dr	M. MOSTOLLER	8/5/03		product family	PwrBlade		code
		enfr	M. MOSTOLLER	8/5/03		size	51752-010		213
		chr	H. BREWBAKER	8/5/03		scale	1:1		sheet
		appd	M. MOSTOLLER	8/5/03					3 of 4
sheet index	revision sheet								

Pro/E

cage code **22526**

PDM: Rev:B

STATUS: Released

Printed: Dec 20, 2010

Tous droits strictement réservés. Reproduction ou communication à des tiers interdite sous quelque forme que ce soit sans autorisation écrite du propriétaire. Propriété de c FCI. Droits de reproduction FCI.

All rights strictly reserved. Reproduction or issue to third parties in any form whatever is not permitted without written authority from the proprietor. Property of FCI. Copyright FCI.

PRODUCT NUMBER
51752-010_
 Note: ③

NOTES:

1. DIMENSIONS AND TOLERANCES ARE IN ACCORDANCE WITH ASME Y14.5M, 1994 UNLESS OTHERWISE SPECIFIED.

CONNECTOR NOTES:

② HOUSING MATERIAL: UL 94 V-0 GLASS FILLED
 HIGH-TEMP THERMOPLASTIC
 POWER CONTACT MATERIAL: COPPER ALLOY
 SIGNAL PIN MATERIAL: COPPER ALLOY

3. PLATING:
 51752-010 Singal Pin: 30u"/0.76um Au OVER 50u"/1.27um Ni ON THE CONTACT AREA,
 AND 100u"/2.54um SnPb PLATING OVER 50u"/1.27um Ni ON THE TERMINATION SECTION.
 Power Pin: 30u"/0.76um Au OVER 50u"/1.27um Ni ON THE CONTACT AREA,
 AND 100u"/2.54um SnPb PLATING OVER 50u"/1.27um Ni ON THE TERMINATION SECTION.
 51752-010LF Singal Pin: 30u"/0.76um Au OVER 50u"/1.27um Ni ON THE CONTACT AREA,
 AND 78u"/2.00um Sn PLATING OVER 50u"/1.27um Ni ON THE TERMINATION SECTION.
 Power Pin: 30u"/0.76um Au OVER 50u"/1.27um Ni ON THE CONTACT AREA,
 AND 78u"/2.00um Sn PLATING OVER 50u"/1.27um Ni ON THE TERMINATION SECTION.

PART NUMBER 51752-010LF MEETS EUROPEAN UNION DIRECTIVE AND OTHER COUNTRY REGULATIONS AS DESCRIBED IN GS-22-008.

THE HOUSING WILL WITHSTAND EXPOSURE TO 260° PEAK TEMPERATURE FOR 10 SECONDS IN A WAVE SOLDER APPLICATION WITH A CIRCUIT BOARD.

④ MANUFACTURER'S NAME, P/N, AND DATE CODE TO APPEAR ON THIS SURFACE.

5. PRODUCT SPECIFICATION GS-12-149.
 APPLICATION SPECIFICATION BUS-20-067.

6. PACKAGED IN TRAYS.

PCB NOTES:


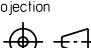

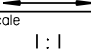
7. ALL HOLE DIAMETERS ARE FINISHED HOLE SIZE.

⑧ MOUNTING HOLES, WHERE APPLICABLE, ARE UNPLATED.

⑨ $\varnothing .0453 \pm .0010$ [1.151 ± 0.025] DRILLED HOLES PLATED WITH
 .0003 [0.008] MIN SnPb OVER .001 [0.03]
 TO .003 [0.08] Cu PLATING TO ACHIEVE
 $\varnothing .040 \pm .003$ [1.02 ± .07] HOLE.

⑩ "DIM XXX" TO BE DETERMINED BY THE CUSTOMER.

⑪ CONNECTOR KEEP-OUT ZONE.

mat'l code		SEE NOTE 2		tolerances unless otherwise specified		CUSTOMER		 www.fciconnect.com	
ltr	ecn no.	dr	date	linear	.XX±.01/0.X±0.3	COPY		projection	title
B					.XXX±.005/0.XX±0.13				2P + 92S
				angles	.XXX±.002/0.XX±0.051				VERTICAL PRESS FIT RECEIPT
				dr	0 ± .2				product family
				enr	W. MOSTOLLER 8/5/03	INCH/MM		A	PwrBlade
				chr	M. MOSTOLLER 8/5/03	scale		A	code
				appd	H. BREWBAKER 8/5/03	1:1		A	213
					W. MOSTOLLER 8/5/03			A	sheet
sheet index	revision sheet								4 of 4

cage code **22526**

Pro/E

PDM: Rev:B

STATUS: Released

Printed: Dec 20, 2010