

## Data sheet

### Connection line M12 plug straight - RJ45 plug straight 8-pole, X-coded 5.0 m

Page 1/5

P/N

142M2X15050

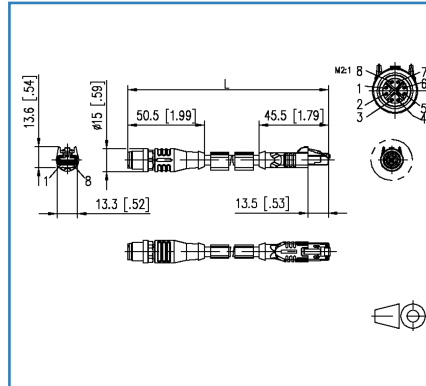
EAN 4250184158417

2017-10-10

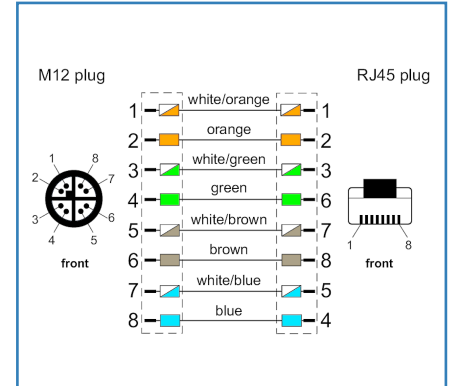
## Illustrations



Dimensional drawing



Wiring



See enlarged drawings at the end of document

## Product specification

- shielded M12-plug to RJ45-plug connection line
- Cat.6, 8-pole
- M12-connector, X-coded, straight to RJ45-plug
- connectors over molded
- stranded wires 4x2xAWG26/7 PiMF
- pin assignment per T568B
- overall shield tinned copper braid
- green cable, PUR
- standard variants: 1.0 m, 2.0 m, 5.0 m, 10.0 m
- other cable lengths on request

## Data sheet

Page 2/5

# Connection line M12 plug straight - RJ45 plug straight 8-pole, X-coded 5.0 m

P/N

142M2X15050

EAN 4250184158417

2017-10-10

## Technical Data

### General Data

Fields of application	Industrial Ethernet
Design	Ethernet-Connection line
Shielding	shielded
Transmission technology	Copper
Cable Type	S/FTP
Number of twisting elements	4
Twisting element	Pair
Wiring	T568B
Color coding fiber/ wire(s)	white/orange, orange, white/green, green, white/brown, brown, white/blue, blue
Color	green
Dimensions	
Dimension - Interface 1 (L x W x H)	50.50 x 15.00 x 15.00 mm
Dimension - Interface 1 (L x W x H)	1.988 x 0.591 x 0.591 in.
Dimension - Interface 2 (L x W x H)	45.50 x 13.30 x 13.60 mm
Dimension - Interface 2 (L x W x H)	1.791 x 0.524 x 0.535 in.
Cable length (m)	5.00 m
Cable length (ft)	16.40 ft
Labeling option	identification label carrier

### Transmission characteristics

Category (ISO)	6
Transmission rate up to 1 GBit (Fast Ethernet)	IEEE 802.3ab

### Connections/interfaces

Connector technology interface 1	RJ45 plug
Connector technology interface 2	M12-plug
Coding interface 2	X-coded
Number of positions/contacts interface 1	8P/8C
Number of positions/contacts interface 2	8



## Connection line M12 plug straight - RJ45 plug straight 8-pole, X-coded 5.0 m

P/N

142M2X15050

EAN 4250184158417

2017-10-10

### Technical Data

#### Connections/interfaces

Termination data, stranded wire (min. - max.)

Conductor cross section, stranded wire	AWG 26/7
Conductor cross section, stranded wire	0.141 mm <sup>2</sup>
Conductor diameter, stranded wire (bare copper)	0.483 mm
Conductor diameter, stranded wire (bare copper)	0.019 in.
Cable sheath diameter (min. - max.)	
Cable sheath diameter	6.40 mm
Cable sheath diameter	0.236 in.

#### Electrical characteristics

Through resistance	max. 5 mOhm
Insulation resistance	min. 100 MOhm

#### Mechanical characteristics

Bending radius without load	min. 64 mm
-----------------------------	------------

#### Materials and material properties

Material - Conductor	Cu (copper)
Material - Cable jacket	PUR
Material - Plug housing interface 1	PVC (polyvinyl chloride)
Material - Body interface 2	Plastics
Material - Contact interface 1	CuSn (tin bronze)
Material - Contact interface 2	CuZn (brass)
Material - Contact finish interface 2	Au (gold)
Material - Contact carriers interface 2	Plastics
Material - Union nut interface 2	CuZn (brass)
Material - Union nut finish interface 2	Ni (nickel)
Material - Shield interface 1	CuSn (tin bronze)
Material - Main shield	Cu (copper) braid
Material - Main shield finish	Sn (tin)
Flame retardancy	yes



## Connection line M12 plug straight - RJ45 plug straight 8-pole, X-coded 5.0 m

P/N

142M2X15050

EAN 4250184158417

2017-10-10

### Technical Data

#### Environmental conditions

Temperature (min. - max.)	
Temperature - Storage °C	-20 - 75 °C
Temperature - Storage °F	-4 - 167 °F
Temperature - Operating °C	-20 - 75 °C
Temperature - Operating °F	-4 - 167 °F
Particulate ingress interface 1	IP2X
Liquid ingress/immersion interface 1	IPX0
Particulate ingress interface 2	IP6X when plugged in
Liquid ingress/immersion interface 2	IPX7 when plugged in
Pollution degree interface 1	1
Pollution degree interface 2	3/2

#### Approvals

RoHS	compliant
------	-----------

#### The product meets the following standards

Generic cabling systems	
General requirements	ISO/IEC 11801-1   DIN EN 50173-1
Multi-element metallic cables used in analogue and digital communication and control	DIN EN 50288-4-1
Test for vertical flame propagation for a single insulated wire or cable	DIN EN 60332-1-2
Measurement of smoke density of cables burning	DIN EN 61034

#### Classifications

ETIM 5.0	EC002599
ETIM 6.0	EC002599

#### Packing details

Type of packaging	1 pc(s) / plastic bag
Packaging unit - Weight (gram)	305.00 g
Packaging unit - Weight (pound)	0.67 lb



Data sheet

Page 5/5

## Connection line M12 plug straight - RJ45 plug straight 8-pole, X-coded 5.0 m

P/N

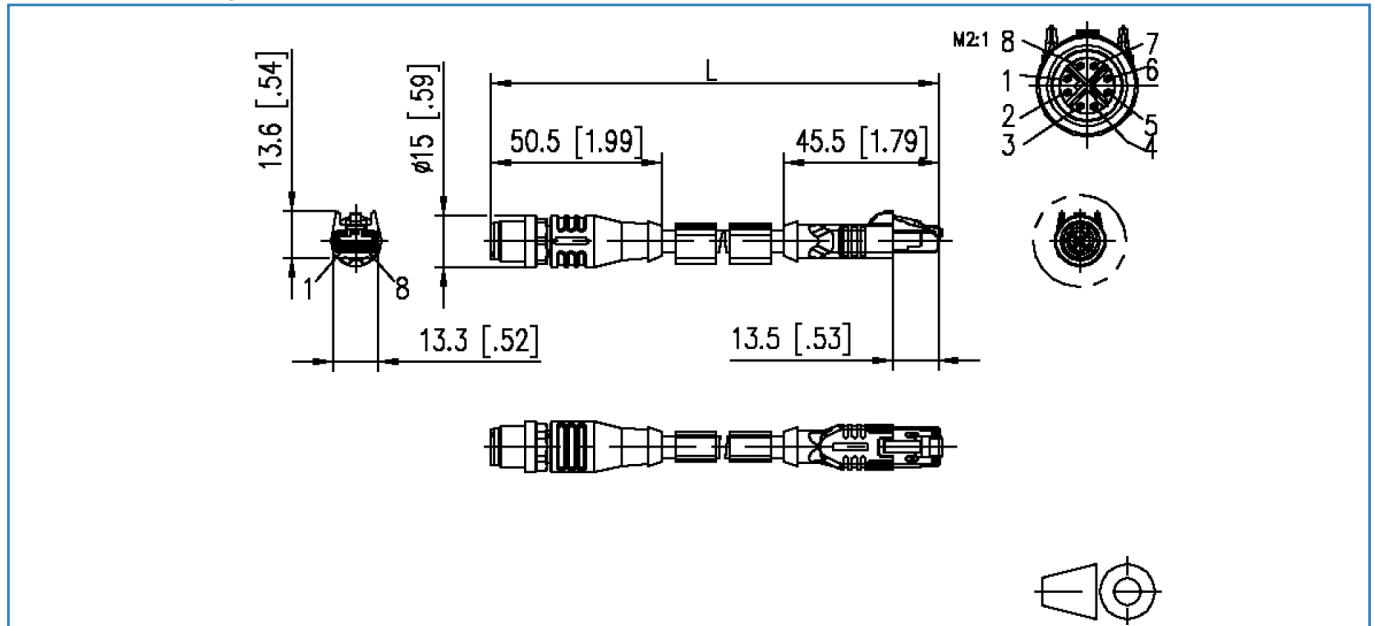
142M2X15050

EAN 4250184158417

2017-10-10

### Illustrations

Dimensional drawing



Wiring

