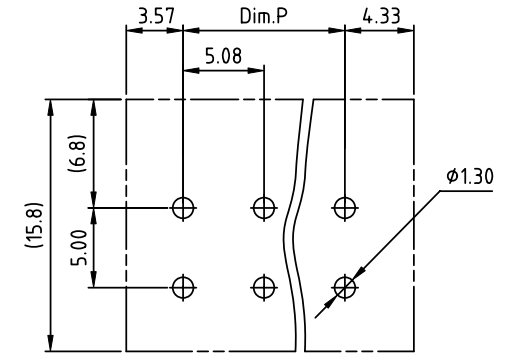
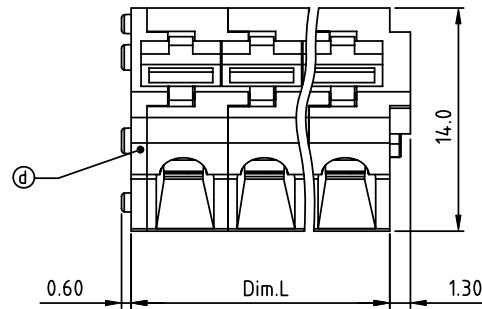
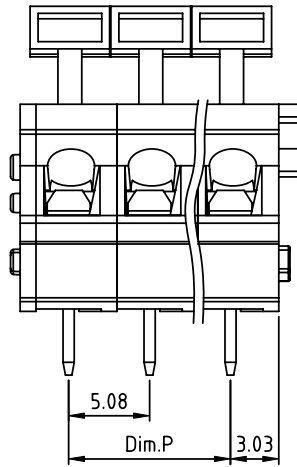
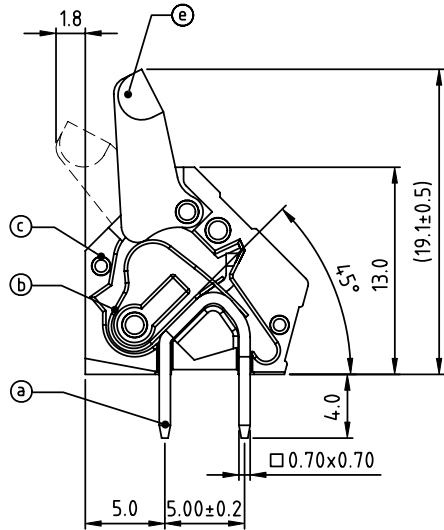


PRODUCT NUMBER	PITCH
HTxx30x000JOG	5.08mm



RECOMMENDED P.C.B LAYOUT
TOP VIEW



Material:

- Item@ Solder pin: Brass, Tin plated
- ItemⒹ Wire guard: Stainless steel
- ItemⒸ Terminal housing: Thermoplastic (UL94V-0)
- ItemⒺ Terminal cover: Thermoplastic (UL94V-0)
- ItemⒺ Terminal lever: Thermoplastic (UL94V-HB)

Electrical

- Voltage rating: 300V
- Current rating: 15A
- Wire range:
- Solid wire(AWG): 12-28
- Stranded wire(AWG): 12-28
- Wire strip length: 6-7mm
- Withstanding Voltage: 1.6KV
- Operating temperature: -40°C to +115°C
- Soldering temperature: 260°C±5°C/5 Sec
- Safety Approval: cULus

Dimension
Dim.P=(N-1)×5.08
Dim.L=N×5.08+1.0
N=Number of poles

POLES	Dim.L	Dim.P
1p	±0.10	
2p-6p	±0.20	±0.15
7p-12p	±0.25	±0.20
12p-18p	±0.30	±0.25
19p-24p	±0.40	±0.35

PART NO.: HT xx 30 x 000JOG

No. of poles	Body Color	RoHS compliant
0	Black (RAL9005)	(lead<4%)
End Stackable	2 Red (RAL3001/D)	In copper Alloy
01	1 poles 3 Orange(RAL2011/P)	
02	2 poles 4 Yellow(RAL1018/A)	
...	5 Green(RAL6018/T)	
24	24 poles 6 Blue (RAL5015/A)	
	8 Grey(RAL7004/P)	
	9 White(RAL1102)	
	C Multiple colors	

mat'l. code		surface ASME Y14.5	tolerance ASME Y14.5	projection	product family TERMINAL BLOCK	
ltr	ecn no	dr	date	 MM	title TERMINAL BLOCK SPRING CLAMP,4SD WIRE INLET	
tolerances unless otherwise specified						scale
angles		X.±0.5			dwg no HTxx30x000JOG	
X*±1°		X.XX±0.3				sheet 1 of 1 size A4
dr		EVIN ZHONG	052814			
enr		EVIN ZHONG	052814			
chr		HANKE FENG	052814			
appd		SHI JUN	052814	type CUSTOMER Drawing		
sheet index	revision	A				
	sheet	1				