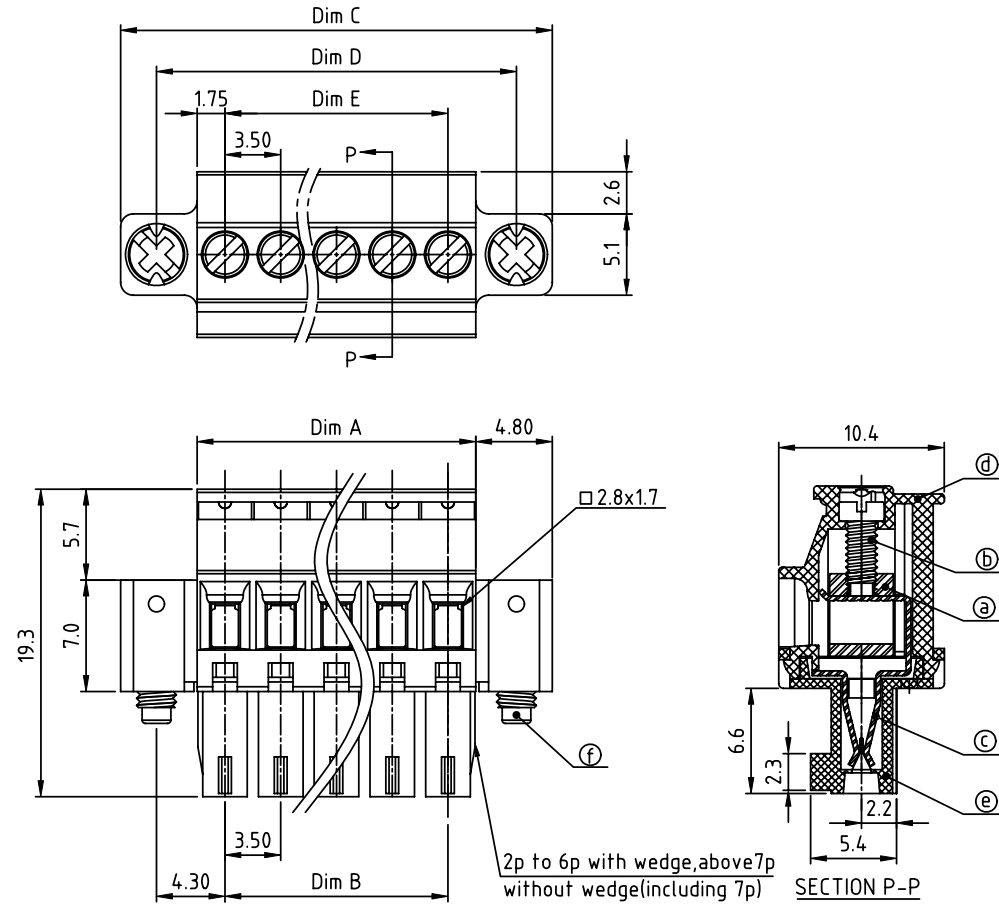


PRODUCT NUMBER	PITCH
TSxx11xC00J0G	3.50 mm



Material

- Item (a) Clamp: Brass (CuZn), Ni plated
- Item (b) Terminal screw: Steel Zinc plating "-" slot type
- Item (c) Female contact: PhBz, Tin plated
- Item (d) Top body: Thermoplastic (UL94V-0)
- Item (e) Bottom body: Thermoplastic (UL94V-0)
- Item (f) With flange screw: Steel M2.5 Zinc plating "+/-" combination type

Electrical cULus VDE

- Voltage rating: 300VAC / 300VAC
- Current rating: 8A / 10A
- Wire range:
  - Solid wire (AWG): 16-28
  - Stranded wire (AWG): 16-28
- Torque: 1.7Lb-In / 0.2N.m
- Screw: M2
- Wire strip length: 6-7mm
- Withstanding Voltage: 1.6KV / 2.5KV
- Operating temperature: -40°C to +115°C
- Safety approval:

PART NO.: TS xx 11 x C 00J0 G

DIMENSION

Dim A	NX3.5
Dim B	(N-1)X3.5
Dim C	NX3.5+9.6
Dim D	(N-1)X3.5+8.6
Dim E	(N-1)X3.5

N=Number of poles

Poles	Tolerance
2p-6p	±0.15
7p-12p	±0.20
13p-16p	±0.25
17p-24p	±0.30

Solid block	No. of poles	Color	RoHS compliant (lead<4%) In copper Alloy
0	2	Black (RAL9005)	
2	2	Red (RAL3001/D)	
02	2	Orange (RAL2011/P)	
03	3	Yellow (RAL1018/A)	
...	...	Green (RAL6018/T)	
24	24	Blue (RAL5015/A)	
		Grey (RAL7035/D)	
		White (RAL1102)	
		Green (RAL6018/U)	

mat'l. code		surface ASME Y14.5	tolerance ASME Y14.5	projection	product family
ltr ecn no dr date		tolerances unless otherwise specified			TERMINAL BLOCK
		angles	X.±0.5	MM	title
		parallel	X.X±0.3		TERMINAL BLOCK
		X'±1"	X.XX±0.1	scale	PLUGGABLE PLUG,HOOK ON ENTRY SIDE,WITH FLANGE
		dr	EVIN ZHONG 041814		dwg no
		enr	EVIN ZHONG 041814		sheet 1 of 1
		chr	HANKE FENG 041814		size
		appd	SHI JUN 041814		A4
sheet index	revision sheet	A			type
		1			CUSTOMER Drawing