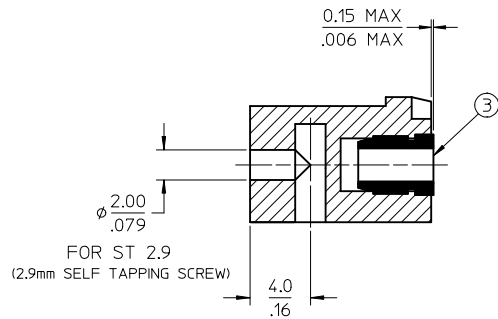
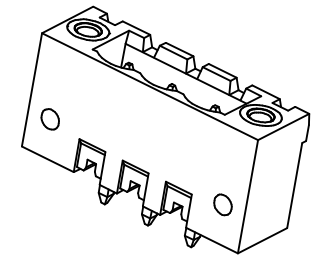
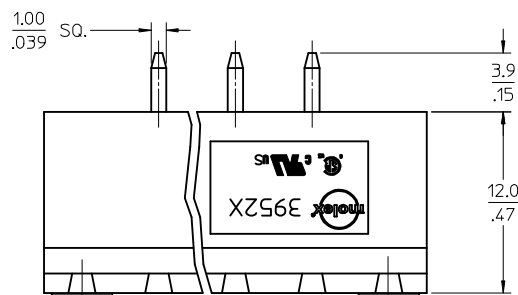
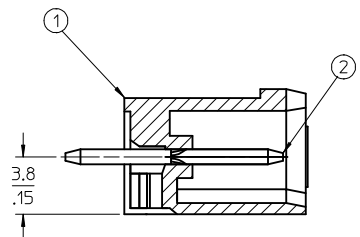


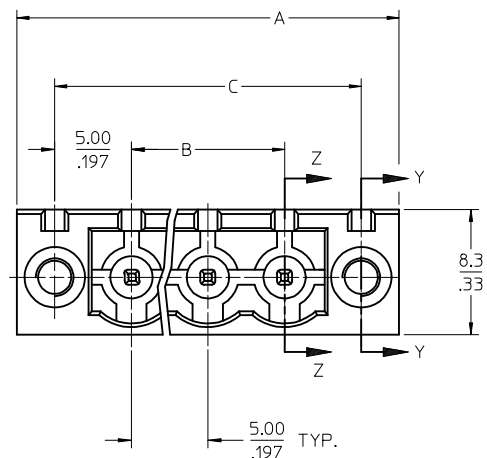
PCB LAYOUT



SECTION Y-Y



SECTION Z-Z



SPECIFICATIONS:

1. Material:
  - (1). Body: PA66
  - (2). Pin: Brass
  - (3). Threaded insert: Brass
2. Wire range: N/A
3. Electrical rating: 300V, 15A
4. Wire strip length: N/A
5. Operating temperature: -40C to +105C
6. Max torque: N/A
7. Insulation resistance: DC 500V, 500M
8. Dielectric withstand: AC 2500V for 1 minute
9. Breakdown voltage: 4000V.
10. A = (B + 15.0mm)
11. B = (N - 1) x P
13. C = (B + 10mm)
12. P (PITCH) = 5.0mm (.197")
13. N = Number of positions available 2 through 24
14. Dims shown are for reference only

TOLERANCES			
MM	TOL	INCH	TOL
0-6	+0.25	0-.24	±.010
>6-30	+0.40	.24-1.18	±.016
>30-120	+0.50	1.18-4.76	±.020
>120	+0.80	>4.76	±.031

REVISED DOC TOL IEC NO: IPG2017-0881 DRWING:CRAD00RENS 2017/03/22 CHKD: BRUPERT APPR:BRUPERT 2017/04/18	QUALITY SYMBOLS	GENERAL TOLERANCES (UNLESS SPECIFIED)	DIMENSION STYLE	SCALE	DESIGN UNITS	THIRD ANGLE PROJECTION																	
	$\nabla=0$ $\nabla=0$	<table border="1"> <thead> <tr> <th></th> <th>mm</th> <th>INCH</th> </tr> </thead> <tbody> <tr> <td>4 PLACES</td> <td>± ---</td> <td>± ---</td> </tr> <tr> <td>3 PLACES</td> <td>± ---</td> <td>± ---</td> </tr> <tr> <td>2 PLACES</td> <td>± ---</td> <td>± ---</td> </tr> <tr> <td>1 PLACE</td> <td>± ---</td> <td>± ---</td> </tr> <tr> <td>0 PLACE</td> <td>±</td> <td>±</td> </tr> </tbody> </table>		mm	INCH		4 PLACES	± ---	± ---	3 PLACES	± ---	± ---	2 PLACES	± ---	± ---	1 PLACE	± ---	± ---	0 PLACE	±	±	MM/IN	4:1
		mm	INCH																				
	4 PLACES	± ---	± ---																				
3 PLACES	± ---	± ---																					
2 PLACES	± ---	± ---																					
1 PLACE	± ---	± ---																					
0 PLACE	±	±																					
REV: B1	DESCRIPTION	<table border="1"> <thead> <tr> <th>DRAWN BY</th> <th>DATE</th> </tr> </thead> <tbody> <tr> <td>LROTHAUS</td> <td>12/6/05</td> </tr> <tr> <th>CHECKED BY</th> <th>DATE</th> </tr> <tr> <td>C. YORK</td> <td>01/06/06</td> </tr> <tr> <th>APPROVED BY</th> <th>DATE</th> </tr> <tr> <td></td> <td></td> </tr> </tbody> </table>	DRAWN BY	DATE	LROTHAUS	12/6/05	CHECKED BY	DATE	C. YORK	01/06/06	APPROVED BY	DATE			TITLE		5.0MM, EURO HEADER, VERTICAL, MOUNTING						
DRAWN BY	DATE																						
LROTHAUS	12/6/05																						
CHECKED BY	DATE																						
C. YORK	01/06/06																						
APPROVED BY	DATE																						
		MATERIAL NO. <b>SEE SHEET 2</b>	DOCUMENT NO.	<b>SD-39525-002</b>																			
DRAFT WHERE APPLICABLE MUST REMAIN WITHIN DIMENSIONS			SIZE <b>C</b>	THIS DRAWING CONTAINS INFORMATION THAT IS PROPRIETARY TO MOLEX INCORPORATED AND SHOULD NOT BE USED WITHOUT WRITTEN PERMISSION		SHEET NO. 1 OF 2																	

Description	Circuit size	Material Numbers											Dimensional Information					
		Black						Green					Dim. A		Dim. D		Dim. C	
		100% Tin			30 u" Cold			100% Tin			30 u" Cold		mm	inch	mm	inch	mm	inch
		Printing Options			Printing Options			Printing Options			Printing Options							
None	10AV	11AV	None	10AV	11AV	None	10AV	11AV	None	10AV	11AV	mm	inch	mm	inch	mm	inch	
5.0mm, Euro Header, Vertical, Mounting Ends	2	395250002	395250302	395250402	395250502	395250602	395250702	395250802	395250902	395251002	395251102	395251202	20.00	0.787	5.00	0.197	15.00	0.591
5.0mm, Euro Header, Vertical, Mounting Ends	3	395250003	395250303	395250403	395250503	395250603	395250703	395250803	395250903	395251003	395251103	395251203	25.00	0.984	10.00	0.394	20.00	0.787
5.0mm, Euro Header, Vertical, Mounting Ends	4	395250004	395250304	395250404	395250504	395250604	395250704	395250804	395250904	395251004	395251104	395251204	30.00	1.181	15.00	0.591	25.00	0.984
5.0mm, Euro Header, Vertical, Mounting Ends	5	395250005	395250305	395250405	395250505	395250605	395250705	395250805	395250905	395251005	395251105	395251205	35.00	1.378	20.00	0.787	30.00	1.181
5.0mm, Euro Header, Vertical, Mounting Ends	6	395250006	395250306	395250406	395250506	395250606	395250706	395250806	395250906	395251006	395251106	395251206	40.00	1.575	25.00	0.984	35.00	1.378
5.0mm, Euro Header, Vertical, Mounting Ends	7	395250007	395250307	395250407	395250507	395250607	395250707	395250807	395250907	395251007	395251107	395251207	45.00	1.772	30.00	1.181	40.00	1.575
5.0mm, Euro Header, Vertical, Mounting Ends	8	395250008	395250308	395250408	395250508	395250608	395250708	395250808	395250908	395251008	395251108	395251208	50.00	1.969	35.00	1.378	45.00	1.772
5.0mm, Euro Header, Vertical, Mounting Ends	9	395250009	395250309	395250409	395250509	395250609	395250709	395250809	395250909	395251009	395251109	395251209	55.00	2.166	40.00	1.575	50.00	1.969
5.0mm, Euro Header, Vertical, Mounting Ends	10	395250010	395250310	395250410	395250510	395250610	395250710	395250810	395250910	395251010	395251110	395251210	60.00	2.362	45.00	1.772	55.00	2.166
5.0mm, Euro Header, Vertical, Mounting Ends	11	395250011	395250311	395250411	395250511	395250611	395250711	395250811	395250911	395251011	395251111	395251211	65.00	2.559	50.00	1.969	60.00	2.362
5.0mm, Euro Header, Vertical, Mounting Ends	12	395250012	395250312	395250412	395250512	395250612	395250712	395250812	395250912	395251012	395251112	395251212	70.00	2.756	55.00	2.166	65.00	2.559
5.0mm, Euro Header, Vertical, Mounting Ends	13	395250013	395250313	395250413	395250513	395250613	395250713	395250813	395250913	395251013	395251113	395251213	75.00	2.953	60.00	2.362	70.00	2.756
5.0mm, Euro Header, Vertical, Mounting Ends	14	395250014	395250314	395250414	395250514	395250614	395250714	395250814	395250914	395251014	395251114	395251214	80.00	3.150	65.00	2.559	75.00	2.953
5.0mm, Euro Header, Vertical, Mounting Ends	15	395250015	395250315	395250415	395250515	395250615	395250715	395250815	395250915	395251015	395251115	395251215	85.00	3.346	70.00	2.756	80.00	3.150
5.0mm, Euro Header, Vertical, Mounting Ends	16	395250016	395250316	395250416	395250516	395250616	395250716	395250816	395250916	395251016	395251116	395251216	90.00	3.543	75.00	2.953	85.00	3.346
5.0mm, Euro Header, Vertical, Mounting Ends	17	395250017	395250317	395250417	395250517	395250617	395250717	395250817	395250917	395251017	395251117	395251217	95.00	3.740	80.00	3.150	90.00	3.543
5.0mm, Euro Header, Vertical, Mounting Ends	18	395250018	395250318	395250418	395250518	395250618	395250718	395250818	395250918	395251018	395251118	395251218	100.00	3.937	85.00	3.346	95.00	3.740
5.0mm, Euro Header, Vertical, Mounting Ends	19	395250019	395250319	395250419	395250519	395250619	395250719	395250819	395250919	395251019	395251119	395251219	105.00	4.134	90.00	3.543	100.00	3.937
5.0mm, Euro Header, Vertical, Mounting Ends	20	395250020	395250320	395250420	395250520	395250620	395250720	395250820	395250920	395251020	395251120	395251220	110.00	4.331	95.00	3.740	105.00	4.134
5.0mm, Euro Header, Vertical, Mounting Ends	21	395250021	395250321	395250421	395250521	395250621	395250721	395250821	395250921	395251021	395251121	395251221	115.00	4.528	100.00	3.937	110.00	4.331
5.0mm, Euro Header, Vertical, Mounting Ends	22	395250022	395250322	395250422	395250522	395250622	395250722	395250822	395250922	395251022	395251122	395251222	120.00	4.724	105.00	4.134	115.00	4.528
5.0mm, Euro Header, Vertical, Mounting Ends	23	395250023	395250323	395250423	395250523	395250623	395250723	395250823	395250923	395251023	395251123	395251223	125.00	4.921	110.00	4.331	120.00	4.724
5.0mm, Euro Header, Vertical, Mounting Ends	24	395250024	395250324	395250424	395250524	395250624	395250724	395250824	395250924	395251024	395251124	395251224	130.00	5.118	115.00	4.528	125.00	4.921

TOLERANCES			
MM	TOL	INCH	TOL
0-6	±0.25	0-.24	±.010
>6-30	±0.40	.24-1.18	±.016
>30-120	±0.50	1.18-4.76	±.020
>120	±0.80	>4.76	±.031

REVISED DOC TOL  
 EC NO: IFC2017-0861  
 DRAWN: CRADDOREWS 2017/03/22  
 CHKD: [blank]  
 APPR: BRUPERT 2017/04/18

QUALITY SYMBOLS  
 ▽=0  
 ▽=0

GENERAL TOLERANCES (UNLESS SPECIFIED)

	mm	INCH
4 PLACES	± ---	± ---
3 PLACES	± ---	± ---
2 PLACES	± ---	± ---
1 PLACE	± ---	± ---
0 PLACE	±	±

ANGULAR ± --- °  
 DRAFT WHERE APPLICABLE  
 MUST REMAIN WITHIN DIMENSIONS

DIMENSION STYLE  
**MM/IN**

DRAWN BY DATE  
 LROTHAUS 12/6/05

CHECKED BY DATE  
 C. YORK 01/06/06

APPROVED BY DATE

SCALE  
**1:1**

DESIGN UNITS  
**INCH**

THIRD ANGLE PROJECTION

**5.0MM, EURO HEADER, VERTICAL, MOUNTING**

**molex**

MATERIAL NO. SEE CHART

DOCUMENT NO. SD-39525-002

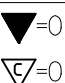
SHEET NO. 2 OF 2

THIS DRAWING CONTAINS INFORMATION THAT IS PROPRIETARY TO MOLEX INCORPORATED AND SHOULD NOT BE USED WITHOUT WRITTEN PERMISSION

Description	Circuit Size	Material Numbers										Dimensional Information							
		Black					Green					Dim. A		Dim. U		Dim. C			
		100% Tin			30 u" Gold		100% Tin			30 u" Gold		mm	inch	mm	inch	mm	inch		
		Printing Options			Printing Options		Printing Options			Printing Options									
None	10/V	11/V	None	10/V	11/V	None	10/V	11/V	None	10/V	11/V								
5.0mm, Euro Header, Vertical, Mounting Ends	2	395250002	395250302	395250402	395250502	395250802	395250902	395250002	395255302	395255402	395255502	395255802	395255902	20.00	0.787	5.00	0.197	15.00	0.591
5.0mm, Euro Header, Vertical, Mounting Ends	3	395250003	395250303	395250403	395250503	395250803	395250903	395250003	395255303	395255403	395255503	395255803	395255903	25.00	0.984	10.00	0.394	20.00	0.787
5.0mm, Euro Header, Vertical, Mounting Ends	4	395250004	395250304	395250404	395250504	395250804	395250904	395250004	395255304	395255404	395255504	395255804	395255904	30.00	1.181	15.00	0.591	25.00	0.984
5.0mm, Euro Header, Vertical, Mounting Ends	5	395250005	395250305	395250405	395250505	395250805	395250905	395250005	395255305	395255405	395255505	395255805	395255905	35.00	1.378	20.00	0.787	30.00	1.181
5.0mm, Euro Header, Vertical, Mounting Ends	6	395250006	395250306	395250406	395250506	395250806	395250906	395250006	395255306	395255406	395255506	395255806	395255906	40.00	1.575	25.00	0.984	35.00	1.378
5.0mm, Euro Header, Vertical, Mounting Ends	7	395250007	395250307	395250407	395250507	395250807	395250907	395250007	395255307	395255407	395255507	395255807	395255907	45.00	1.772	30.00	1.181	40.00	1.378
5.0mm, Euro Header, Vertical, Mounting Ends	9	395250009	395250309	395250409	395250509	395250809	395250909	395250009	395255309	395255409	395255509	395255809	395255909	50.00	1.969	35.00	1.378	45.00	1.772
5.0mm, Euro Header, Vertical, Mounting Ends	9	395250009	395250309	395250409	395250509	395250809	395250909	395250009	395255309	395255409	395255509	395255809	395255909	55.00	2.165	40.00	1.575	50.00	1.969
5.0mm, Euro Header, Vertical, Mounting Ends	10	395250010	395250310	395250410	395250510	395250810	395250910	395250010	395255310	395255410	395255510	395255810	395255910	60.00	2.362	45.00	1.772	55.00	2.165
5.0mm, Euro Header, Vertical, Mounting Ends	11	395250011	395250311	395250411	395250511	395250811	395250911	395250011	395255311	395255411	395255511	395255811	395255911	65.00	2.559	50.00	1.969	60.00	2.362
5.0mm, Euro Header, Vertical, Mounting Ends	12	395250012	395250312	395250412	395250512	395250812	395250912	395250012	395255312	395255412	395255512	395255812	395255912	70.00	2.756	55.00	2.165	65.00	2.559
5.0mm, Euro Header, Vertical, Mounting Ends	13	395250013	395250313	395250413	395250513	395250813	395250913	395250013	395255313	395255413	395255513	395255813	395255913	75.00	2.953	60.00	2.362	70.00	2.756
5.0mm, Euro Header, Vertical, Mounting Ends	14	395250014	395250314	395250414	395250514	395250814	395250914	395250014	395255314	395255414	395255514	395255814	395255914	80.00	3.150	65.00	2.559	75.00	2.953
5.0mm, Euro Header, Vertical, Mounting Ends	15	395250015	395250315	395250415	395250515	395250815	395250915	395250015	395255315	395255415	395255515	395255815	395255915	85.00	3.346	70.00	2.756	80.00	3.150
5.0mm, Euro Header, Vertical, Mounting Ends	16	395250016	395250316	395250416	395250516	395250816	395250916	395250016	395255316	395255416	395255516	395255816	395255916	90.00	3.543	75.00	2.953	85.00	3.346
5.0mm, Euro Header, Vertical, Mounting Ends	17	395250017	395250317	395250417	395250517	395250817	395250917	395250017	395255317	395255417	395255517	395255817	395255917	95.00	3.740	80.00	3.150	90.00	3.543
5.0mm, Euro Header, Vertical, Mounting Ends	18	395250018	395250318	395250418	395250518	395250818	395250918	395250018	395255318	395255418	395255518	395255818	395255918	100.00	3.937	85.00	3.346	95.00	3.740
5.0mm, Euro Header, Vertical, Mounting Ends	19	395250019	395250319	395250419	395250519	395250819	395250919	395250019	395255319	395255419	395255519	395255819	395255919	105.00	4.134	90.00	3.543	100.00	3.937
5.0mm, Euro Header, Vertical, Mounting Ends	20	395250020	395250320	395250420	395250520	395250820	395250920	395250020	395255320	395255420	395255520	395255820	395255920	110.00	4.331	95.00	3.740	105.00	4.134
5.0mm, Euro Header, Vertical, Mounting Ends	21	395250021	395250321	395250421	395250521	395250821	395250921	395250021	395255321	395255421	395255521	395255821	395255921	115.00	4.528	100.00	3.937	110.00	4.331
5.0mm, Euro Header, Vertical, Mounting Ends	22	395250022	395250322	395250422	395250522	395250822	395250922	395250022	395255322	395255422	395255522	395255822	395255922	120.00	4.724	105.00	4.134	115.00	4.528
5.0mm, Euro Header, Vertical, Mounting Ends	23	395250023	395250323	395250423	395250523	395250823	395250923	395250023	395255323	395255423	395255523	395255823	395255923	125.00	4.921	110.00	4.331	120.00	4.724
5.0mm, Euro Header, Vertical, Mounting Ends	24	395250024	395250324	395250424	395250524	395250824	395250924	395250024	395255324	395255424	395255524	395255824	395255924	130.00	5.118	115.00	4.528	125.00	4.921

TOLERANCES			
MM	TOL	INCH	TOL
0-6	±0.25	0-.24	±.010
>6-30	±0.40	.24-1.18	±.016
>30-120	±0.50	1.18-4.76	±.020
>120	±0.80	>4.76	±.031

REVISED DOC TOL  
 EC NO: IFC2017-0861  
 DRAWN: CRADDOREWS 2017/03/22  
 CHKD:  
 APPR: BRUPERT 2017/04/18

QUALITY SYMBOLS  


GENERAL TOLERANCES (UNLESS SPECIFIED)

	mm	INCH
4 PLACES	± ---	± ---
3 PLACES	± ---	± ---
2 PLACES	± ---	± ---
1 PLACE	± ---	± ---

ANGULAR ± ---°

DRAFT WHERE APPLICABLE  
 MUST REMAIN WITHIN DIMENSIONS

DIMENSION STYLE  
**MM/IN**

DRAWN BY DATE  
 LROTHAUS 12/6/05

CHECKED BY DATE  
 C. YORK 01/04/06

APPROVED BY DATE

MATERIAL NO.  
**SEE CHART**

SIZE  
**B**

SCALE  
**INCH**

DESIGN UNITS  
**INCH**

THIRD ANGLE PROJECTION

**5.0MM, EURO HEADER, VERTICAL, MOUNTING**

**MOLEX** MOLEX INCORPORATED

DOCUMENT NO.  
**SD-39525-002**

SHEET NO.  
**2 OF 2**

THIS DRAWING CONTAINS INFORMATION THAT IS PROPRIETARY TO MOLEX INCORPORATED AND SHOULD NOT BE USED WITHOUT WRITTEN PERMISSION