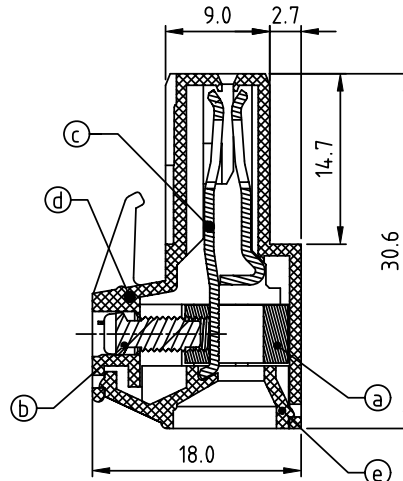
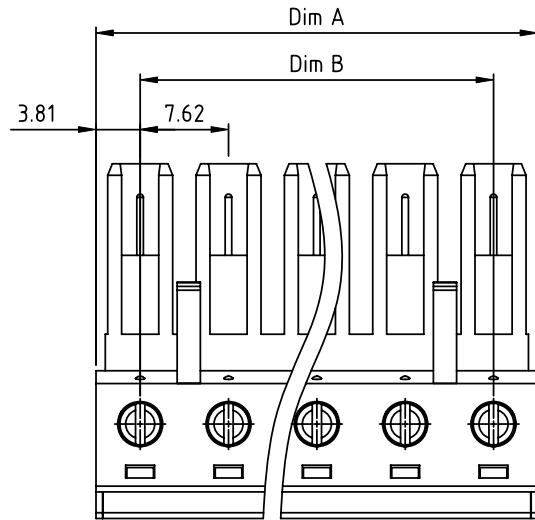
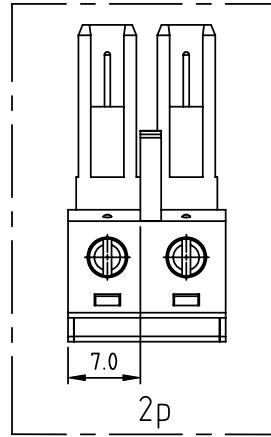
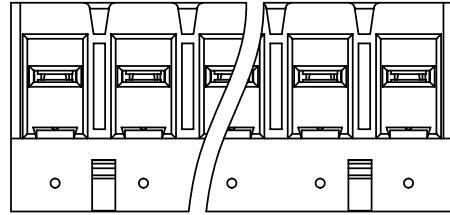


PRODUCT NUMBER	PITCH
VBxx01x000J0G	7.62 mm



Material

- Item@Clamp : Copper alloy Ni plated
- Item@Terminal screw: Steel Zinc plating"- "slot type
- Item@Female contact : Copper Tin plated
- Item@Terminal (body): Thermoplastic (UL94V-0)
- Item@Terminal (cover): Thermoplastic (UL94V-0)

Electrical cULus

- Voltage rating: 300V
- Current rating: 20A
- Wire range:
- Solid wire(AWG):10-30
- Stranded wire(AWG):10-30
- Torque: 4.5(Lb-In)
- Screw:M3
- Wire strip length:7-8mm
- Withstanding Voltage:1.6KV
- Operating temperature:-40°C to +115°C
- Safety Approval: us

PART NO.: VB xx 01 x 0 00J0 G

N = Number of poles
 Dim A=Nx7.62
 Dim B=(N-1)x7.62

poles	Tolerance
2-6p	±0.20
7-12p	±0.30
13-16p	±0.40

Solid block	No. of poles	Color	RoHS compliant (lead<4%) In copper Alloy
0	2	Black (RAL9005)	
3	3	Red (RAL3001/D)	
4	4	Orange(RAL2011/P)	
5	5	Yellow(RAL1018/A)	
6	6	Green(RAL6018/T)	
7	7	Blue (RAL5015/A)	
8	8	Grey(RAL7035/D)	
9	9	White(RAL1102)	
C	16	Green(RAL6018/U)	

mat'l. code		surface ASME Y14.5	tolerance ASME Y14.5	projection	product family
ltr	ecn no	dr	date		TERMINAL BLOCK
tolerances unless otherwise specified				MM	title
angles				scale	TERMINAL BLOCK PLUGGABLE PLUG, WITHOUT FLANGE
X±1°				dr	dwg no
EVIN ZHONG 041814				enrg	sheet 1 of 1
EVIN ZHONG 041814				chr	size
HANKE FENG 041814				appd	VBxx01x000J0G
SHI JUN 041814				type	
				CUSTOMER Drawing	
sheet index	revision sheet	A	1		