

PART NAME: KNOB

SCALE: 1:1

DATE: 1/31/94

DR. BY HD

THIS DRAWING IS THE PROPERTY OF DAVIES MOLDING COMPANY, IS SUBMITTED SOLELY AS A DESIGN OR ENGINEERING PROJECT. WE ACCEPT NO RESPONSIBILITY WHATSOEVER FOR THE PRACTICAL APPLICATION OF THE PIECES MADE TO THIS DESIGN.



DESIGNERS & MANUFACTURERS OF KNOBS, HANDLES, CASES & CUSTOM PLASTIC COMPONENTS

P/N 3036-P

M^{NO.} 38

CAVITY	3036
CORE	3036
① CAVITY PLUG	3036-P
SLEEVE	2780
PIN	2780-3
SHIMS	.306+.241
INSERT	I1673

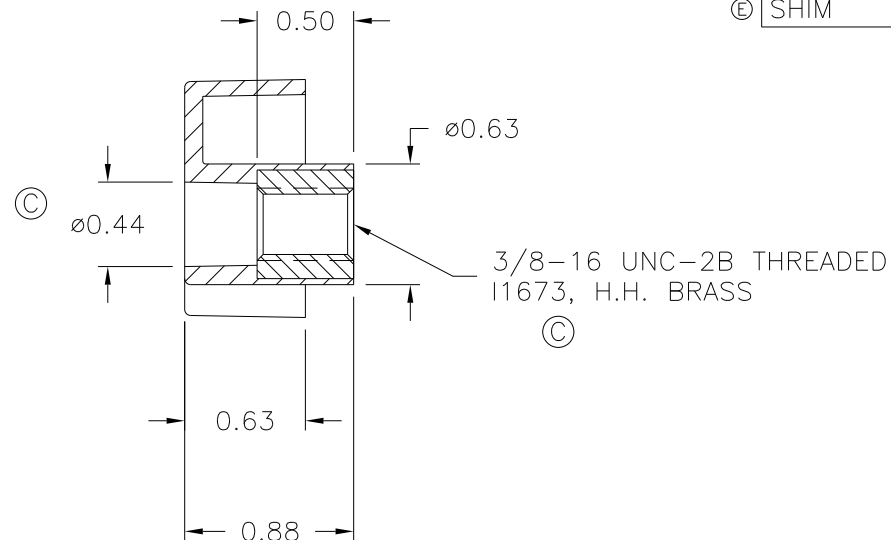
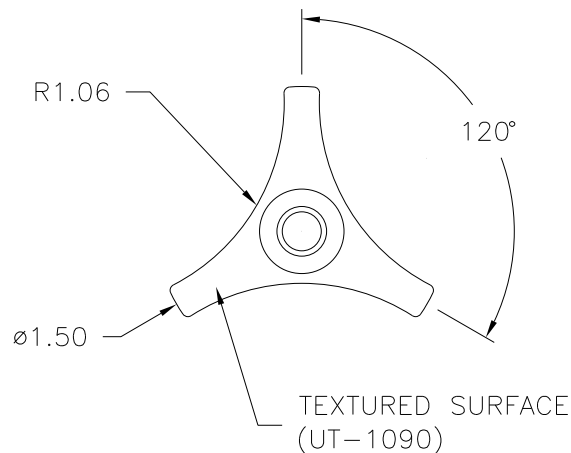
②

M^{NO.} 38 #2

PLATE 0.548

③

SHIM 0.030



MATERIAL: 20% TALC-FILLED POLYPROPYLENE (BC9)
COLOR: BLACK

TOLERANCES:
UNLESS OTHERWISE SPECIFIED

DO NOT SCALE
DRAWING

DECIMALS: X.XXX ± .005
X.XX ± .015

MM: X.XX ± 0.15MM
X.X ± 0.4MM

FRACTIONS ± 1/64

ANG. ± 1°

E	CORRECTED SHIM	TS	8/29/02
D	PLUG WAS 3036-H-1 REMOVED LEG SHIMS .031+.020	TS	11/26/01
-	REDRAWN	TL	11/18/99
C	WAS 1277 WAS .42(3036-P) (B)	TL	7/6/99
B	WAS .44	JM	7/21/98
A	WAS I1673 TOP PIN REVISED	HD	6/18/98

CHANGES