







-  **Height:** 5.0mm max
-  **Footprint:** 13.1mm x 13.1mm
-  **Current Rating:** up to 12.2A
-  **Inductance Range:** 1 μ H to 1030 μ H

Electrical Specifications @ 25°C - Operating Temperature -40°C to +130°C

Part ^{6,7} Number	Inductance @ IPK ADC (μ H \pm 20%)	I _{rated} ⁵ (A)	DCR (MAX) (m Ω)	Saturation Current (A) @ 25°C	Heating Current (A)
P0648.102NL	1.05	12.2	5.5	17.7	12.2
P0648.192NL	1.9	9.6	7.5	12.9	9.6
P0648.282NL	2.8	8.1	9.8	10.5	8.1
P0648.342NL	3.4	7.6	9.6	9.1	7.6
P0648.462NL	4.6	6.5	15.5	7.8	6.5
P0648.682NL	6.8	5.1	22	6.6	5.1
P0648.103NL	10.2	4.3	33	5.4	4.3
P0648.153NL	15.2	3.6	44	4.4	3.6
P0648.223NL	22	3.3	61	3.7	3.3
P0648.323NL	32	2.5	90	2.9	2.5
P0648.463NL	46	2.1	148	2.4	2.1
P0648.653NL	65	1.8	166	2.0	1.8
P0648.104NL	100	1.4	262	1.7	1.4
P0648.154NL	152	1.2	410	1.3	1.2
P0648.214NL	214	1.0	557	1.1	1.0
P0648.324NL	320	0.9	880	0.9	0.9
P0648.454NL	450	0.7	1230	0.8	0.7
P0648.644NL	645	0.6	1660	0.6	0.6
P0648.105NL	1030	0.5	2680	0.5	0.5

Notes:

1. The temperature of the component (ambient plus temperature rise) must be within the specified operating temperature range.
2. Inductance tested at 100kHz, 10mV_{RMS}
3. Inductance drop = 10% typical at the Saturation Current
4. Δ T = 40°C rise typical at the Heating Current
5. The rated current is the lower of the saturation or heating current.
6. Add suffix "T" to the part number for tape and reel packaging (i.e. P0648.102T)
7. RoHS compliant parts are being introduced. Please contact Pulse for RoHS compliant part availability. If available, order by adding the suffix "NL" to the part number (i.e. P0648.102 becomes P0648.102NL and P0648.102T becomes P0648.102NLT).

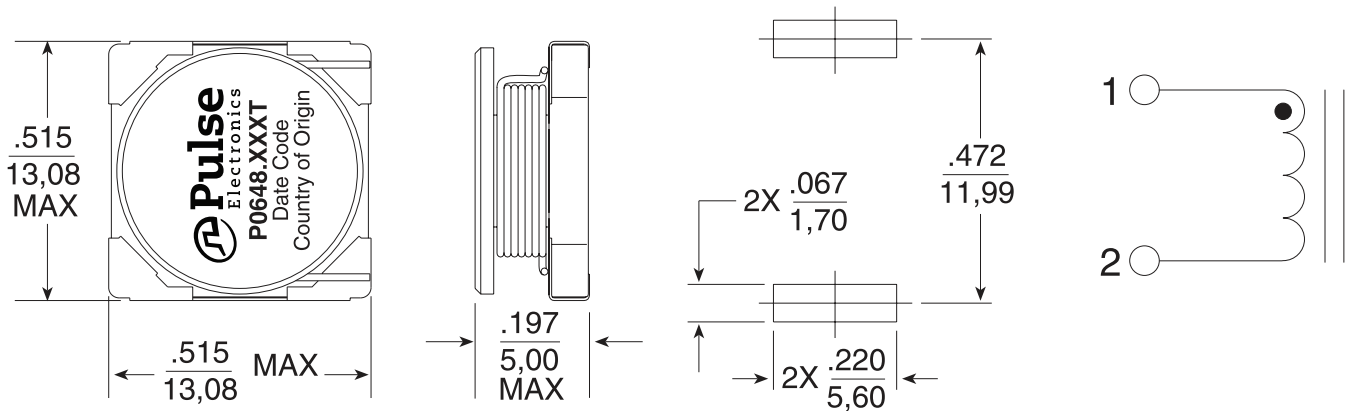
SMT Power Inductors

Unshielded Drum Core - P0648 Series

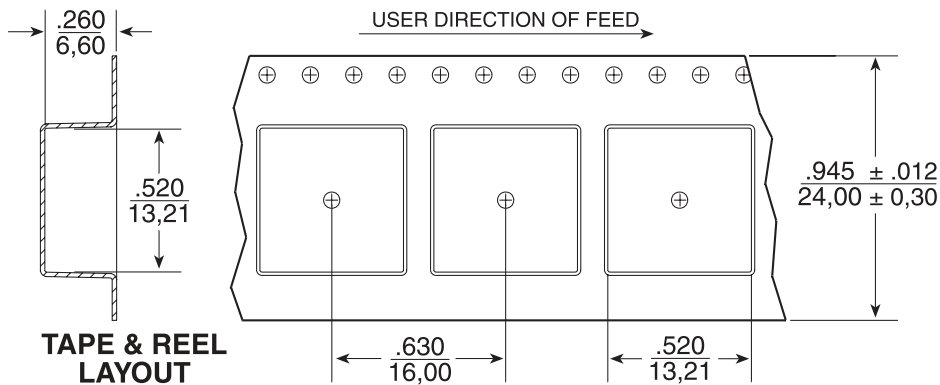
Mechanical

Schematic

P0648.XXX



SUGGESTED PAD LAYOUT



For More Information

Pulse Worldwide Headquarters

12220 World Trade Drive
San Diego, CA
92128
U.S.A.

Tel: 858 674 8100
Fax: 858 674 8262

Pulse Europe

Einsteinstrasse 1
D-71083 Herrenberg
Germany

Tel: 49 7032 78060
Fax: 49 7032 7806 135

Pulse China Headquarters

B402, Shenzhen Academy of
Aerospace Technology Bldg.
10th Kejinan Road
High-Tech Zone
Nanshan District
Shenzhen, PR China
518057
Tel: 86 755 33966678
Fax: 86 755 33966700

Pulse North China

Room 2704/2705
Super Ocean Finance
Ctr.
2067 Yan An Road
West
Shanghai 200336
China

Tel: 86 21 62787060
Fax: 86 2162786973

Pulse South Asia

135 Joo Seng Road
#03-02
PM Industrial Bldg.
Singapore 368363

Tel: 65 6287 8998
Fax: 65 6287 8998

Pulse North Asia

3F, No. 198
Zhongyuan Road
Zhongli City
Taoyuan County 320
Taiwan R. O. C.

Tel: 886 3 4356768
Fax: 886 3 4356823 (Pulse)
Fax: 886 3 4356820 (FRE)

Performance warranty of products offered on this data sheet is limited to the parameters specified. Data is subject to change without notice. Other brand and product names mentioned herein may be trademarks or registered trademarks of their respective owners. © Copyright, 2015. Pulse Electronics, Inc. All rights reserved.