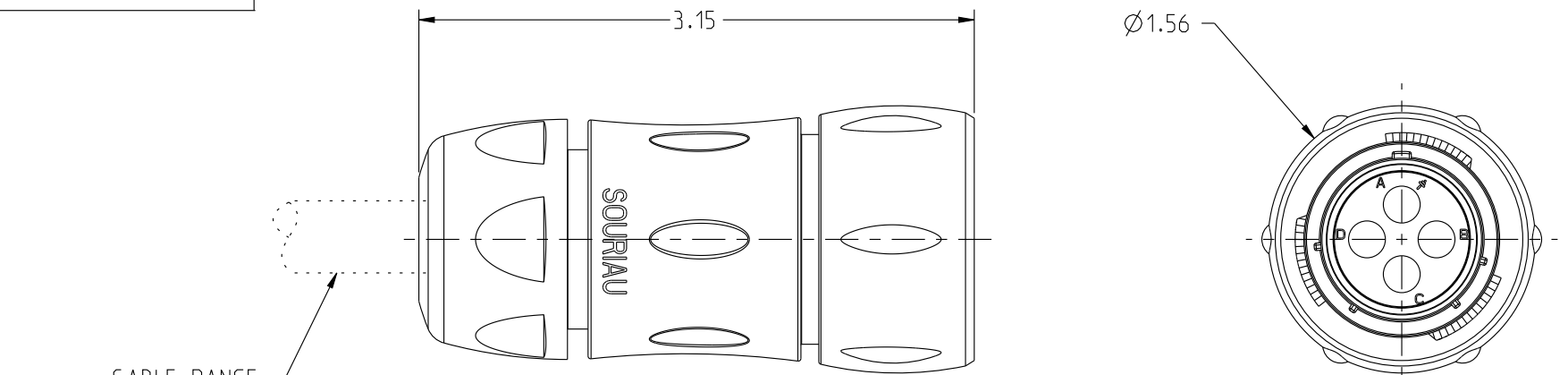


DWG. NO.  
S99457

THIS DRAWING IS A CONTROLLED DOCUMENT FOR SOURIAU USA, INC. IT IS SUBJECT TO CHANGE WITHOUT NOTIFICATION. CONTACT THE DOCUMENT CONTROL CENTER FOR THE LATEST REVISION.



CABLE RANGE  
Ø7-16mm  
WITH REDUCING SEAL

BACKSHELL  
ASSEMBLY

PLUG

NOTES:

1. MATES WITH UTS7183G1S\_\_\_\_\_.
2. USES 1-TO-4 EA. SIZE-8 PINS (CONTACTS ORDERED SEPARATELY)  
CONTACT TYPE: 829116\_\_\_\_\_ : REFER TO SOURIAU BSD202333001.
3. MATERIALS:
  - 3.1 PLUG: COUPLING & INSULATOR: POLYAMIDE UL94V0, COLOR-BLACK.
  - 3.2 BACKSHELL: POLYAMIDE UL94V0, COLOR-BLACK.
  - 3.3 ALL MATERIALS ARE RoHS COMPLIANT.
4. MECHANICAL PERFORMANCE:
  - 4.1 OPERATING TEMPERATURE: -40°C TO 105°C.
  - 4.2 CORROSION: SALT SPRAY, 500 HOURS.
  - 4.3 DURABILITY: 250 MATE-UNMATE CYCLES.
  - 4.4 SEALING IN MATED CONDITION: IEC 60529-IP68: 10m WATER, 1-WEEK;  
-IP69K: HIGH-PRESSURE WATER, DIN 40050.
5. ELECTRICAL PERFORMANCE:
  - 5.1 DIELECTRIC WITHSTANDING VOLTAGE/INSULATION RESISTANCE  
2200 VRMS MAX. BETWEEN CIRCUITS/5000 MOhm MIN. @ 500 VDC.
  - 5.2 OPERATING VOLTAGE: 600 VAC MAX.
  - 5.3 CIRCUIT USE:  
B,C,D: 44 AMP AC MAX.  
A: GROUND: FIRST MATE LAST BREAK.
6. PACKAGING: LABEL TO INCLUDE SOURIAU P/N & QTY.
7. UL1977 RECOGNIZED.
8. UNITED STATES PATENT 7,955,125

SCALE 2:1

E	REVISED PER ECN 11721	RSK 05-16-12	NPP 05-16-12
D	REVISED PER ECN 11550	SSF 11-03-11	NPP 11-03-11
C	REVISED PER ECN 11503	RSK 09-08-11	NPP 09-08-11
B	REVISED PER ECN 11483	RSK 08-11-11	NPP 08-11-11
A	RELEASED PER ECN 11439	SSF 05-20-11	NPP 05-20-11
REV	DESCRIPTION	BY DATE	CHKD DATE


DRAWING TITLE  
**UTS CABLE PLUG, SIZE-18, 4X SIZE-8 PIN**

CAT NO. **UTS6JC183G1P**

CAGE NO: 09922      SIZE: B

CUSTOMER

INTERPRET THIS DRAWING IN ACCORDANCE  
WITH ASME Y14.5M - 1994.



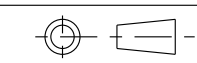
**SOURIAU**  
Connection Technology

www.souriau.com

APPROVAL

DRAWN:	NP	4/19/10
CHKD :	-	-
DSGN :	NP	4/19/10
MFG :	DH	4/19/10
QC :	BB	4/19/10
DRAWING SCALE:		1:1
DRAWING NO.		REV
S99457		E
1 OF 1		

Client Drawing Approval	
X	Option
	Authorized Signature & Date
	Approved with no Exceptions
	Approved with Exceptions Noted
	Revision/Resubmission Required
	Rejected
	Company Name
The signature above indicates the client's authorized representative has reviewed, understands, and concurs with the requirements defined herein. If no signature is provided, placement of a purchase order by the client is considered drawing acceptance.	

LINEAR MEASURE: <span style="font-size: 0.8em;">INCH [mm]</span>	
THIRD ANGLE PROJECTION	
	
TOLERANCES UNLESS OTHERWISE SPECIFIED	
No. OF PLACES	INCH [mm]
ONE PLACE	±.1 [±3]
TWO PLACES	±0.02 [±.5]
THREE PLACES	±0.010 [±.25]
ANGLES ±1°	

THE INFORMATION CONTAINED IN THIS DRAWING IS CONFIDENTIAL AND MAY NOT BE DISCLOSED WITHOUT WRITTEN CONSENT FROM SOURIAU USA, INC.

B

A