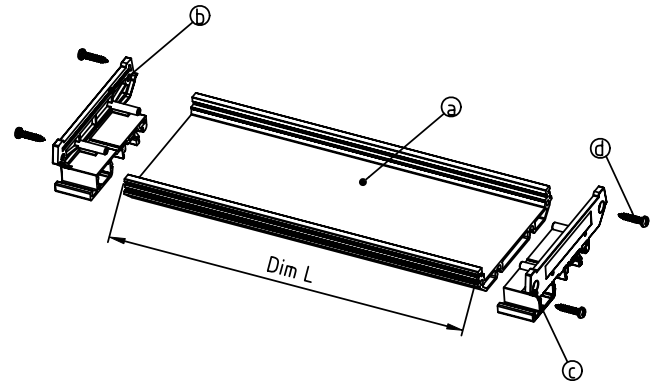
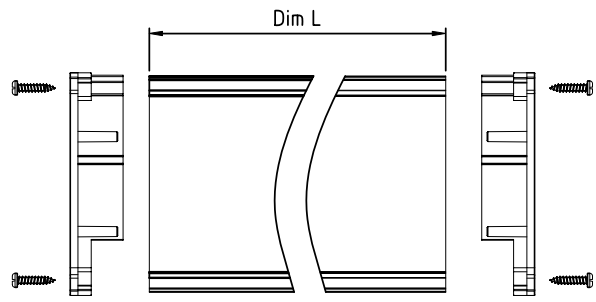
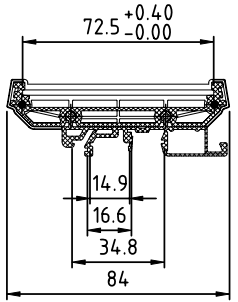


PRODUCT NUMBER	PITCH
ALxxxxx200J0G	N/A



Materials
 Item a insulating body PVC (UL94V-0)
 Item b insulating side Cover (left) Thermoplastic (UL94V-0)
 Item c insulating side Cover (right) Thermoplastic (UL94V-0)
 Item d Screw(Pa3.0x12) Steel, Zinc plated



Remark
 DIM L(Length of insulating body)=PCB Length-1.8mm
 PCB Width: 72.5 +0.00/-0.10mm
 PCB thickness : 1.6±0.10mm

PART NO.: AL xxxx x 2 00J0 G

↓ Body Color
 PCB length 5 Green(RAL6018/T)
 0450 45.0mm
 0505 50.5mm

 4000 400.0mm
 0450 to 4000
 From 45.0mm to 400mm

↓ RoHS compliant

mat'l. code		surface ASME Y14.5 ✓	tolerance ASME Y14.5	projection ⊕	product family TERMINAL BLOCK
ltr	ecn no	dr	date	tolerances unless otherwise specified	title TERMINAL BLOCK ACCESSORIES, NON-INSTALLED SIDE COVER THE WIDTH OF PCB IS 72.5 MM
				angles X ± 0.5	
				X* ± 1° X.XX ± 0.1	
		dr	HANKE FENG 072314	scale	dwg no ALxxxxx200J0G
		enr	HANKE FENG 072314	FCI	sheet 1 of 1 size A4
		chr	HANKE FENG 072314		type CUSTOMER Drawing
		appd	SHI JUN 072314		
sheet index	revision sheet	A	1		