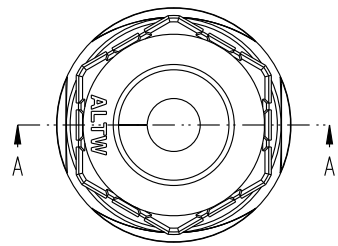
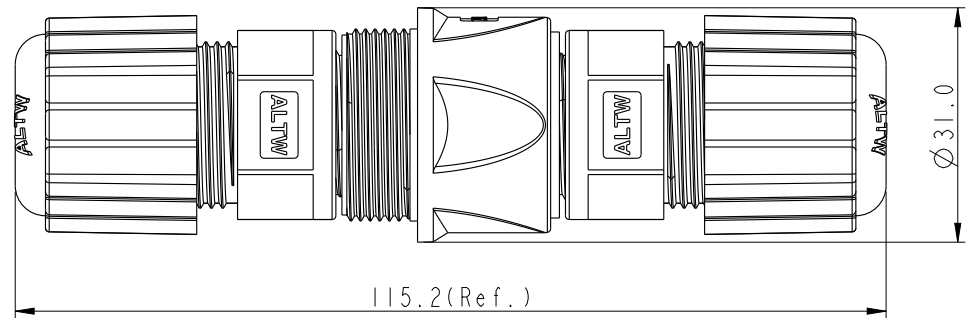
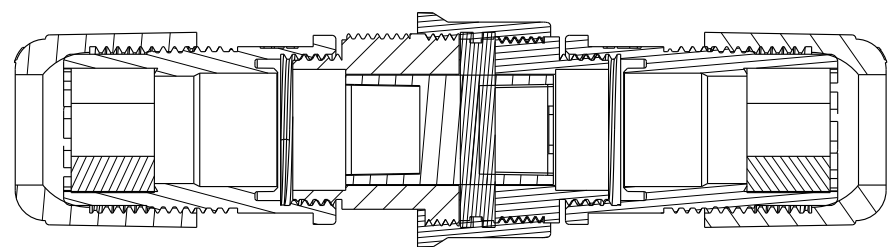


REV.	ECN NO.	DATE	SIGN	DESCRIPTION

THIS DOCUMENT IS SUBJECT TO CHANGE WITHOUT NOTICE. IT IS CONFIDENTIAL AND A PROPERTY OF AMPHENOL LTW. DISCLOSURE TO THIRD PARTY HAS TO BE AUTHORIZED BY AMPHENOL LTW.

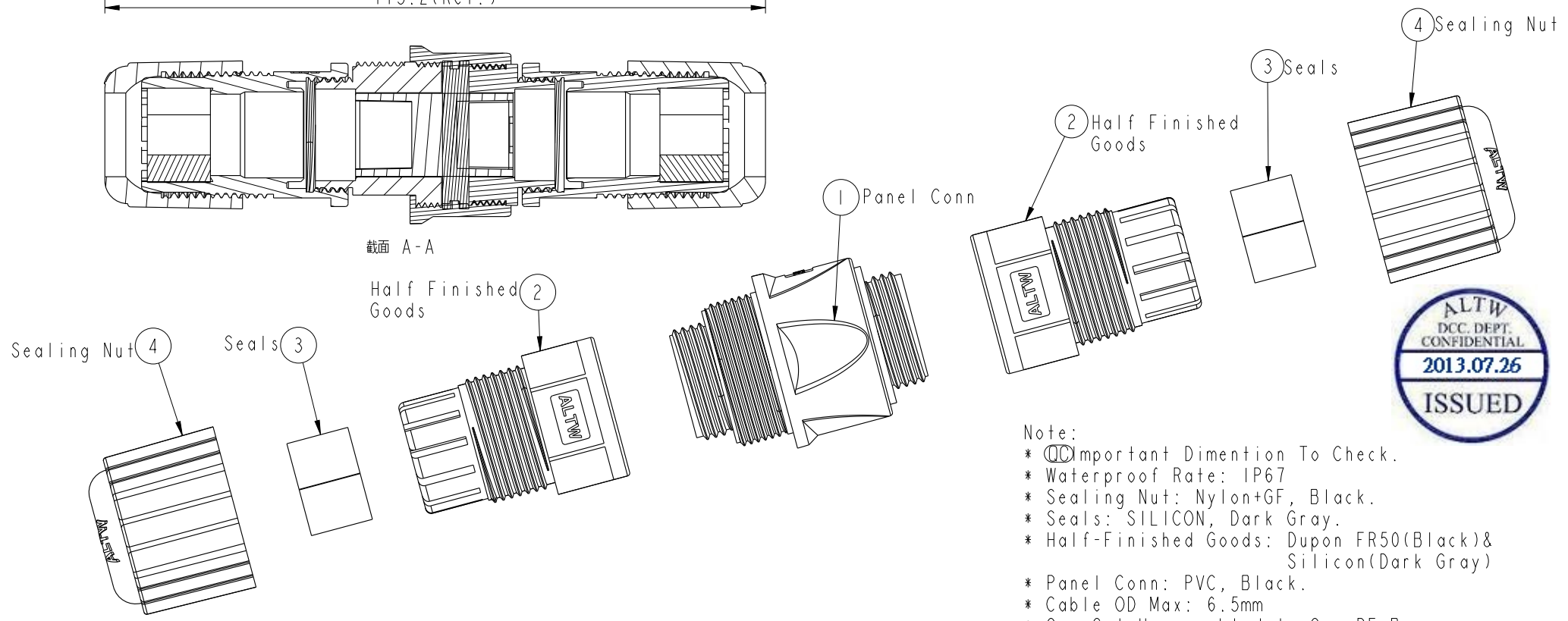


ALTW
CONFIDENTIAL
 2013-07-16
R&D DEPT.



截面 A-A

Half Finished Goods



ALTW
 DCC. DEPT.
 CONFIDENTIAL
 2013.07.26
ISSUED

- Note:
- * \varnothing Important Dimension To Check.
 - * Waterproof Rate: IP67
 - * Sealing Nut: Nylon+GF, Black.
 - * Seals: SILICON, Dark Gray.
 - * Half-Finished Goods: Dupon FR50(Black)& Silicon(Dark Gray)
 - * Panel Conn: PVC, Black.
 - * Cable OD Max: 6.5mm
 - * One Set Unassembled In One PE Bag.

UNIT: mm

TOLERANCE	
.X	±0.25
.XX	±0.1
.XXX	±0.05
ANGLES	±1°

TITLE RJ45 D SIZE DOUBLE SCREW BOTH SIDE ASSY F CONN F PIN			
SCALE	SIZE	SHEET	OF
1:1	A4	1	1
REV.	WC-REV.	QC: Inspection item	
A	A.8		

Amphenol LTW
 安費諾亮泰企業股份有限公司

ITEM NO	RDP-00BFFA-SLM7001	DRAWN BY	Laurence_zang	DATE	2013-07-16
DWG NO	RDP-00BFFA-SLM7001	CHECKED BY	Raison	DATE	2013-07-16
CUSTOMER	TBD	APPROVED BY	Victor	DATE	2013-07-16