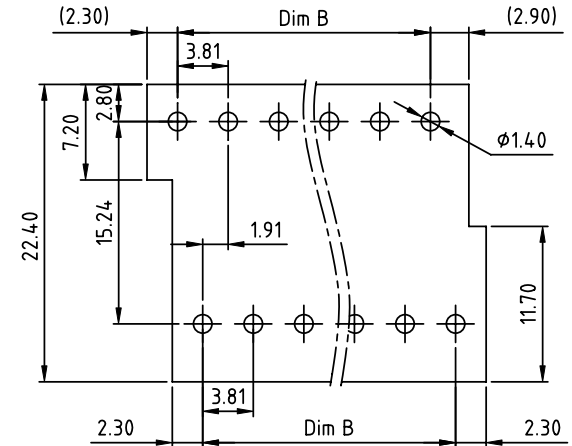
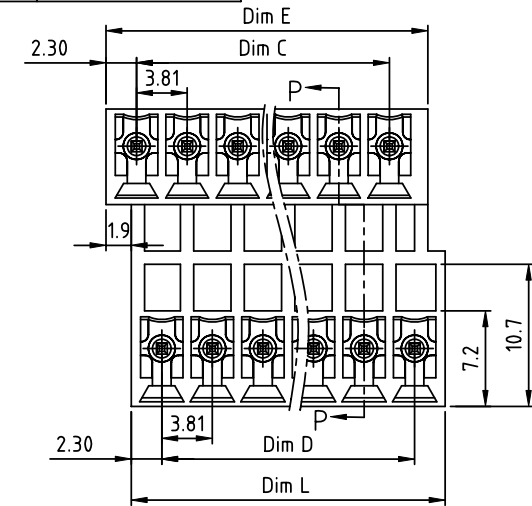
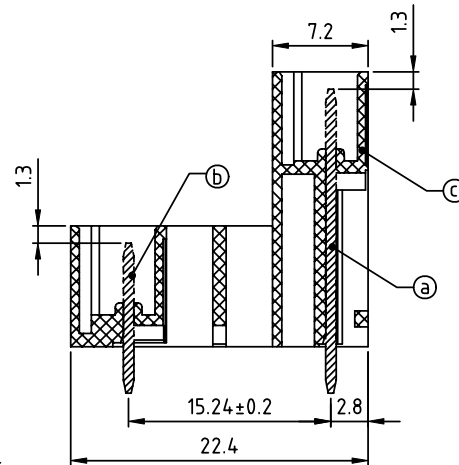
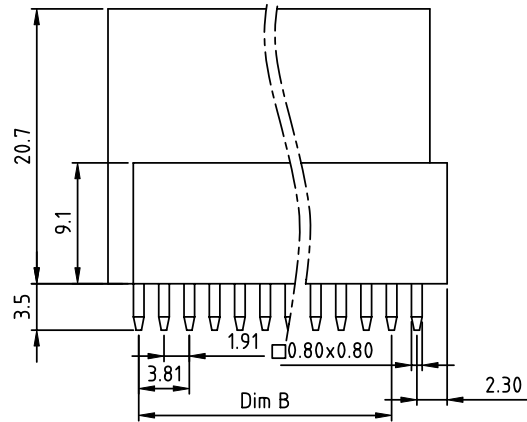


PRODUCT NUMBER	PITCH
VFxx31x000J0G	3.81 mm



RECOMMENDED P.C.B LAYOUT
TOP VIEW



SECTION P-P

Material:

- Item (a) Long pin: copper, Tin plated
 - Item (b) Short pin: copper, Tin plated
 - Item (c) Terminal (housing): Thermoplastic (UL94V-0)
- Electrical cULus
- Voltage rating: 300VAC
 - Current rating: 10A
 - Withstanding Voltage: 1.6KV
 - Operating temperature: -40°C to +115°C
 - Soldering temperature: 260°C±5°C/5 Sec
 - Safety Approval:

N=NUMBER OF POLES
 Dim L=(N/2-1)×3.81+4.6
 Dim B=(N/2-1)×3.81
 Dim C=(N/2-1)×3.81
 Dim D=(N/2-1)×3.81
 Dim E=(N/2-1)×3.81+5.2

POLES	Tolerance
2×2P-2×5P	±0.15
2×6P-2×10P	±0.20
2×11P-2×13P	±0.25
2×14P-2×16P	±0.30
2×17P-2×20P	±0.35
2×21P-2×24P	±0.40

PART NO.: VF xx 3 1 x 0 00J0 G

Solid block	No. of poles	Color	RoHS compliant
0	2	Black (RAL9005)	(lead<4%) In copper Alloy
04	2x2poles	Red (RAL3001/D)	
06	2x3poles	Orange(RAL2011/P)	
...	...	4 Yellow(RAL1018/A)	
48	2x24poles	5 Green(RAL6018/T)	
		6 Blue (RAL5015/A)	
		8 Grey(RAL7035/D)	
		9 White(RAL1102)	
		C Green(RAL6018/U)	

mat'l. code		surface ASME Y14.5	tolerance ASME Y14.5	projection	product family TERMINAL BLOCK
ltr	ecn no	dr	date	tolerances unless otherwise specified	title
				angles X°±1°	TERMINAL BLOCK
				scale	PLUGGABLE SOCKET, VERTICAL
		dr	EVIN ZHONG	042914	dwg no
		enr	EVIN ZHONG	042914	sheet 1 of 1
		chr	HANKE FENG	042914	size
		appd	SHI JUN	042914	A4
sheet index	revision sheet	A	1		type CUSTOMER Drawing