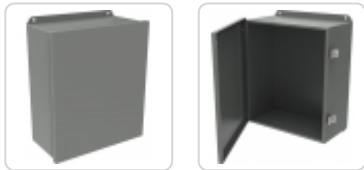


Type 4, 12 Mild Steel Junction Box *HJ H Series*

Continuous Hinge Door with Clamps



Panel
Sold
Separately



Application

- Designed for use as instrument enclosures, electric, hydraulic or pneumatic control housings, electrical junction boxes or terminal wiring enclosures.
- Provides protection where equipment may be hosed down or otherwise be very wet, or in outdoor applications for full weather protection.

Standards

- UL 508 Type 3R, 4, 12 and 13
- CSA Type 3R, 4, 12 and 13
- Complies with
 - NEMA Type 3R, 4, 12 and 13
 - JIC EGP-1-1967 unless marked¹
 - IEC 60529, IP66

Construction

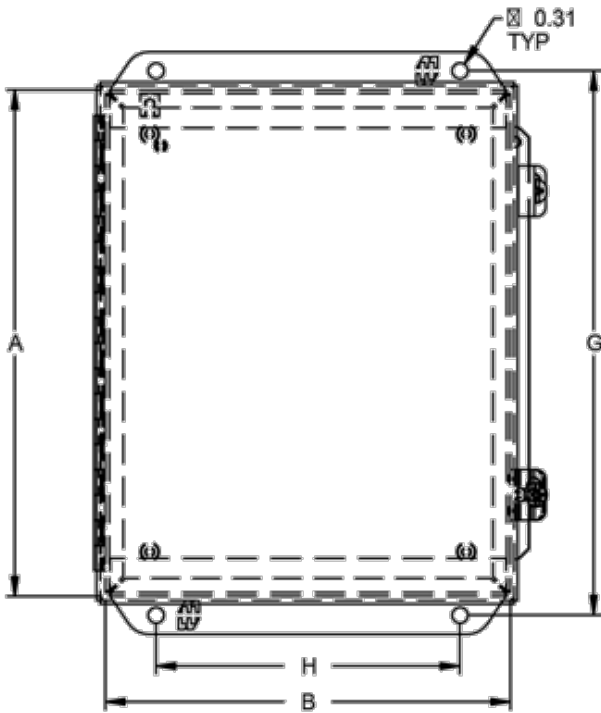
- Body formed from 16 or 14 gauge steel. Covers are formed from 14 gauge steel.
- Smooth, continuously welded seams without knockouts, cutouts or holes.
- Welded brackets provide for enclosure mounting.
- Continuous hinged cover is secured with stainless steel clamps and screws.
- Stainless steel continuous hinge on door may be removed by pulling the stainless steel hinge pin.
- Seamless poured-in place gasket.
- Internal threaded weld studs are provided for mounting inner panels.
- A bonding stud is provided on the door and a grounding stud is provided in the enclosure.

Finish

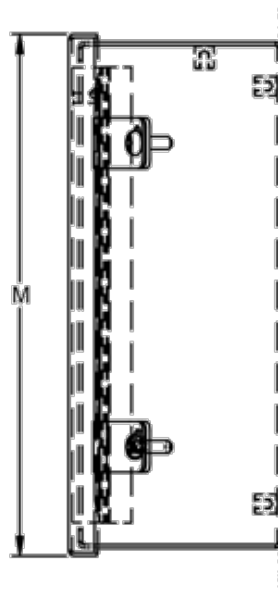
- Cover and enclosure are phosphatized, finished in recoatable smooth ANSI 61 gray powder coating.

Accessories

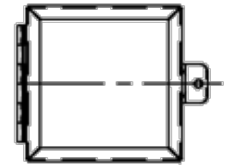
- Inner Panels
- Door Clamping Hardware
- Heaters
- Terminal Kit Assemblies
- Swing Panel Kit
- Ventilation
- Filtered Fans
- Type 1 Louvered Ventilating Plates
- Temperature Controls
- Ground Wire Kits



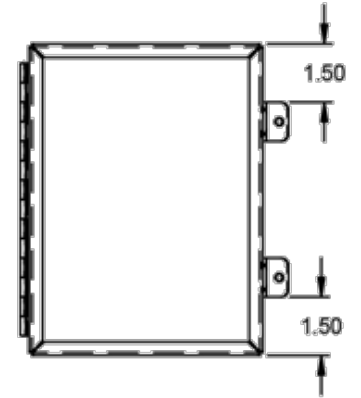
Front View



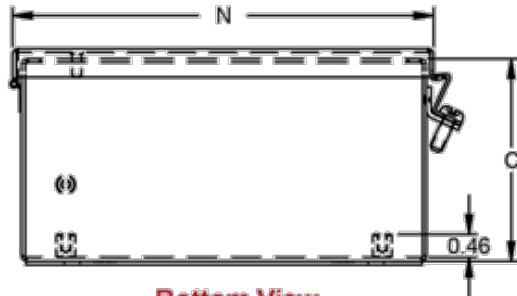
Side View



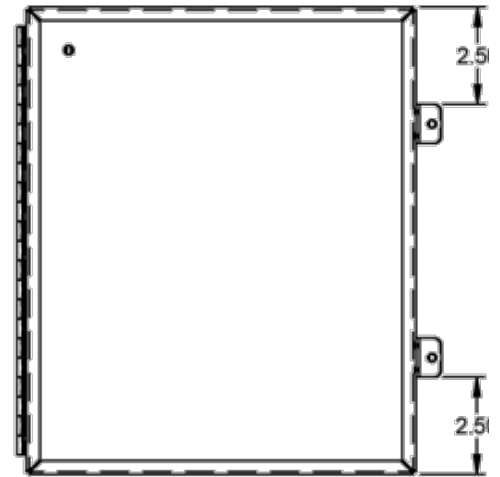
**Clamp location when
A = 6.00" or less**



**Clamp location when
A = 8.0" or 10.0"**



Bottom View



**Clamp location when
A = 12.0" or greater**

Part No.	Mounting Centers					Cover Dimensions			Gauge		Opt. Panel		Ship Wt. (lbs)
	A	B	C	G	H	M	N	Body	Door	Part No. ²	Opt. Panel Size		
HJ443HLP ¹	4.00	4.00	3.00	4.75	2.00	4.31	4.31	16	14	-	-	-	2
HJ643HLP ¹	6.00	4.00	3.00	6.75	2.00	6.31	4.31	16	14	14R0503	4.88	2.88	2
HJ863HLP	8.00	6.00	3.50	8.75	4.00	8.31	6.31	14	14	14R0705	6.75	4.88	5
HJ683HLP	6.00	8.00	3.50	6.75	6.00	6.31	8.31	14	14	14R0705	6.75	4.88	5
HJ444HLP ¹	4.00	4.00	4.00	4.75	2.00	4.31	4.31	16	14	-	-	-	3
HJ644HLP ¹	6.00	4.00	4.00	6.75	2.00	6.31	4.31	16	14	14R0503	4.88	2.88	3
HJ664HLP	6.00	6.00	4.00	6.75	4.00	6.31	6.31	16	14	14R0505	4.88	4.88	4
HJ884HLP	8.00	8.00	4.00	8.75	6.00	8.31	8.31	14	14	14R0707	6.75	6.88	7
HJ1084HLP	10.00	8.00	4.00	10.75	6.00	10.31	8.31	14	14	14R0907	8.75	6.88	8
HJ8104HLP	8.00	10.00	4.00	8.75	8.00	8.31	10.31	14	14	14R0907	8.75	6.88	8
HJ1264HLP	12.00	6.00	4.00	12.75	4.00	12.31	6.31	14	14	14R1105	10.75	4.88	8

Part No.	Mounting Centers			Cover Dimensions		Gauge		Opt. Panel		Ship Wt. (lbs)		
	A	B	C	G	H	M	N	Body	Door		Part No. ²	Opt. Panel Size
HJ12105HLP	12.00	10.00	5.00	12.75	8.00	12.31	10.31	14	14	14R1109	10.75 8.88	10
HJ10125HLP	10.00	12.00	5.00	10.75	10.00	10.31	12.31	14	14	14R1109	10.75 8.88	12
HJ866HLP	8.00	6.00	6.00	8.75	4.00	8.31	6.31	14	14	14R0705	6.75 4.88	7
HJ1086HLP	10.00	8.00	6.00	10.75	6.00	10.31	8.31	14	14	14R0907	8.75 6.88	10
HJ10106HLP	10.00	10.00	6.00	10.75	8.00	10.31	10.31	14	14	14R0909	8.75 8.88	12
HJ12126HLP	12.00	12.00	6.00	12.75	10.00	12.31	12.31	14	14	14R1111	10.75 10.88	15
HJ1486HLP	14.00	8.00	6.00	14.75	6.00	14.31	8.31	14	14	14R1307	12.75 6.88	10
HJ14126HLP	14.00	12.00	6.00	14.75	10.00	14.31	12.31	14	14	14R1311	12.75 10.88	17
HJ12146HLP	12.00	14.00	6.00	12.75	12.00	12.31	14.31	14	14	14R1311	12.75 10.88	17
HJ16106HLP	16.00	10.00	6.00	16.75	8.00	16.31	10.31	14	14	14R1509	14.75 8.88	15
HJ16146HLP	16.00	14.00	6.00	16.75	12.00	16.31	14.31	14	14	14R1513	14.75 12.88	21
HJ14166HLP	14.00	16.00	6.00	14.75	14.00	14.31	16.31	14	14	14R1513	14.75 12.88	21
HJ12108HLP	12.00	10.00	8.00	12.75	8.00	12.31	10.31	14	14	14R1109	10.75 8.88	15
HJ14128HLP	14.00	12.00	8.00	14.75	10.00	14.31	12.31	14	14	14R1311	12.75 10.88	18
HJ16148HLP	16.00	14.00	8.00	16.75	12.00	16.31	14.31	14	14	14R1513	14.75 12.88	22
HJ161410HLP	16.00	14.00	10.00	16.75	12.00	16.31	14.31	14	14	14R1513	14.75 12.88	23

¹ Does not meet JIC requirements.

² Opt. panel part no. shown is painted white steel. For unpainted galvanized steel substitute "G" for "R" in the panel part no.

Data subject to change without notice

© 2017. Hammond Manufacturing Ltd. All rights reserved.