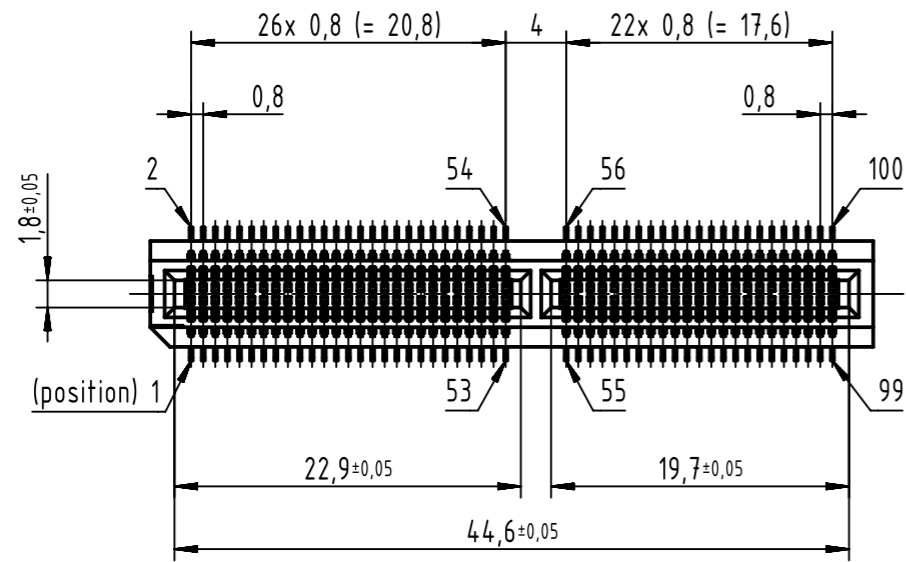
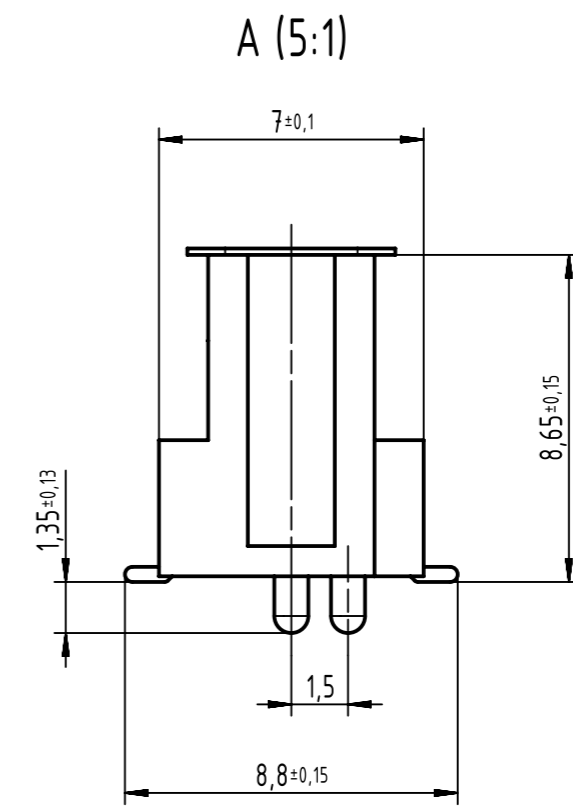
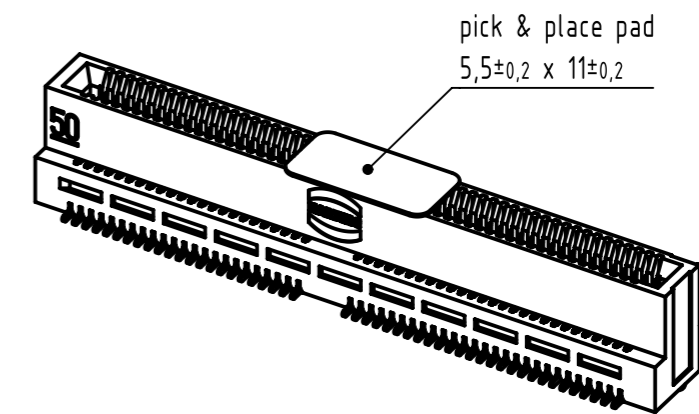
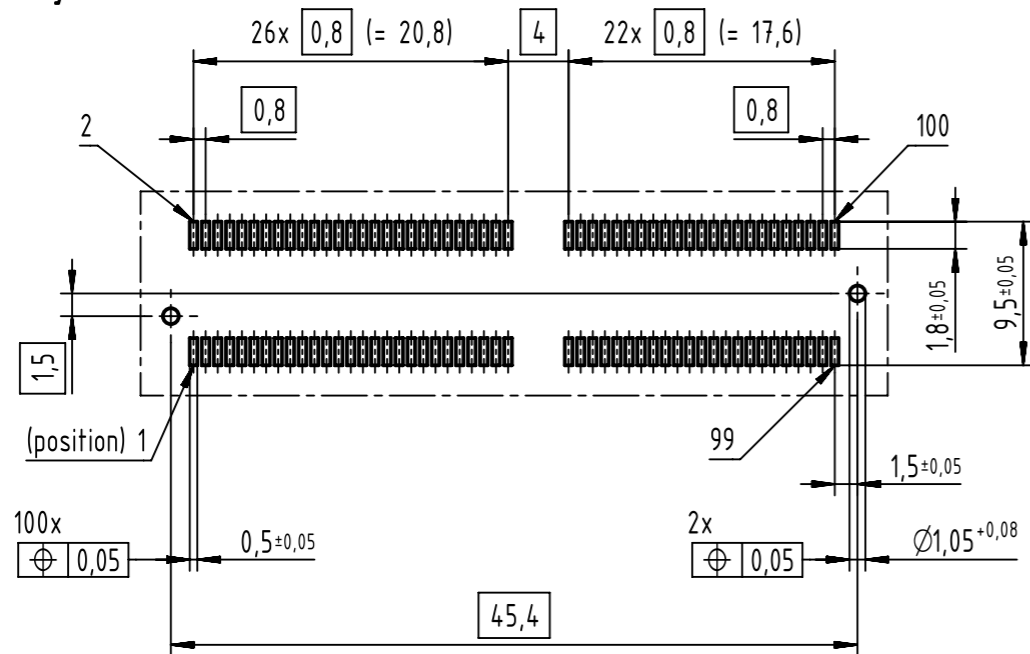


View without pick & place pad



Board layout



further information see DS 15002100301

	All rights reserved Department EC PD - DE	All Dimensions in mm Original Size DIN A3		Scale 2:1	Free size tol.	Ref. Sub. TB 15 02 100 4601 040, -042, -090		
		Created by TADJE	Inspected by ELLERMANN	Standardisation HOFFMANN	Date 2013-08-12	State Final Release	Doc-Key / ECM-Nr. 100191025/UGD/012/A 50000065186	
HARTING Electronics GmbH D-32339 Espelkamp		Title Micro Card Edge connector 100 poles				Type TB		Number 15021004601XXX
						Rev. A	Page 1/1	