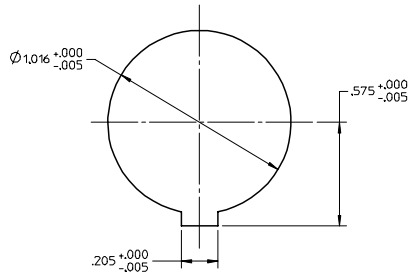
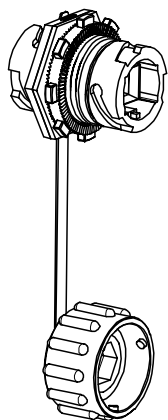


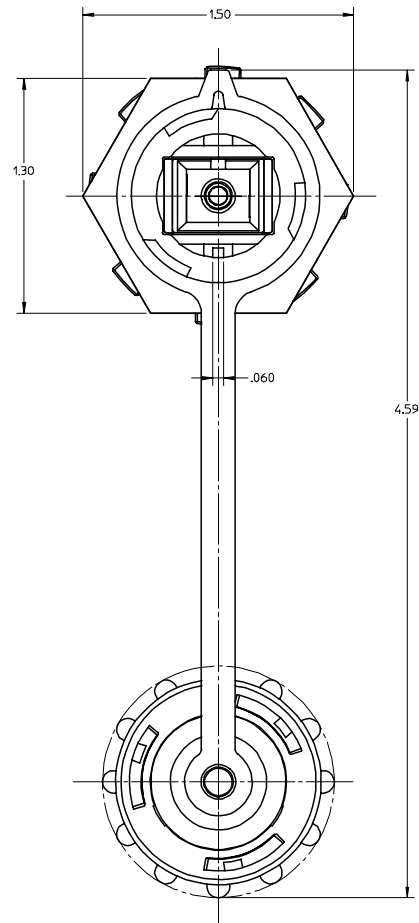
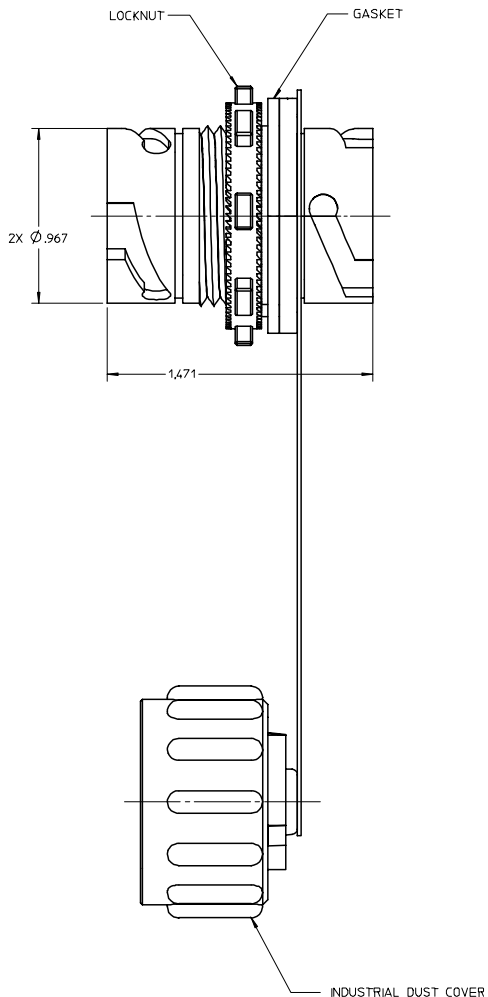
SC IN-LINE ADAPTER P/N	CONNECTOR TYPE
1060594100	SINGLE MODE
1060594110	MULTIMODE
1060594120	APC



RECOMMENDED MOUNTING CUTOUT



ISOMETRIC VIEW  
SCALE 1:1



NOTES:  
ALL DIMENSIONS ARE FOR REFERENCE ONLY.

<b>ENTER DESCRIPTION</b> EC NO: MF2007-0511 DRAWN BY: DRW:ADOBAL TRUKONIS CHKD: APPR: JGUMIN 2007/02/12 DESCRIPTION REVISIONS 0	<b>QUALITY SYMBOLS</b> = 0 = 0	<b>GENERAL TOLERANCES (UNLESS SPECIFIED)</b>		<b>DIMENSION STYLE INCH ONLY</b>		SCALE 2:1	DESIGN UNITS INCH	THIRD ANGLE PROJECTION																							
			<table border="1"> <thead> <tr> <th></th> <th>mm</th> <th>INCH</th> </tr> </thead> <tbody> <tr> <td>4 PLACES</td> <td>± .004</td> <td>± .001</td> </tr> <tr> <td>3 PLACES</td> <td>± .005</td> <td>± .001</td> </tr> <tr> <td>2 PLACES</td> <td>± .007</td> <td>± .001</td> </tr> <tr> <td>1 PLACE</td> <td>± .010</td> <td>± .003</td> </tr> </tbody> </table>		mm	INCH	4 PLACES	± .004	± .001	3 PLACES	± .005	± .001	2 PLACES	± .007	± .001	1 PLACE	± .010	± .003	<table border="1"> <thead> <tr> <th>DRAWN BY</th> <th>DATE</th> </tr> </thead> <tbody> <tr> <td>D.B.</td> <td>2006/6/29</td> </tr> <tr> <th>CHECKED BY</th> <th>DATE</th> </tr> <tr> <td></td> <td></td> </tr> </tbody> </table>	DRAWN BY	DATE	D.B.	2006/6/29	CHECKED BY	DATE			<b>TITLE</b> SC IN-LINE INDUSTRIAL ADAPTER			
		mm	INCH																												
	4 PLACES	± .004	± .001																												
3 PLACES	± .005	± .001																													
2 PLACES	± .007	± .001																													
1 PLACE	± .010	± .003																													
DRAWN BY	DATE																														
D.B.	2006/6/29																														
CHECKED BY	DATE																														
		<table border="1"> <thead> <tr> <th>APPROVED BY</th> <th>DATE</th> </tr> </thead> <tbody> <tr> <td>I.G.</td> <td>2006/6/29</td> </tr> </tbody> </table>	APPROVED BY	DATE	I.G.	2006/6/29	<table border="1"> <thead> <tr> <th>MATERIAL NO.</th> <th>DOCUMENT NO.</th> <th>SHEET NO.</th> </tr> </thead> <tbody> <tr> <td>10605941X0</td> <td>SD-106059-41X0</td> <td>1 OF 1</td> </tr> </tbody> </table>		MATERIAL NO.	DOCUMENT NO.	SHEET NO.	10605941X0	SD-106059-41X0	1 OF 1	<b>MOLEX INCORPORATED</b>																
APPROVED BY	DATE																														
I.G.	2006/6/29																														
MATERIAL NO.	DOCUMENT NO.	SHEET NO.																													
10605941X0	SD-106059-41X0	1 OF 1																													
<b>DRAFT WHERE APPLICABLE MUST REMAIN WITHIN DIMENSIONS</b>		THIS DRAWING CONTAINS INFORMATION THAT IS PROPRIETARY TO MOLEX INCORPORATED AND SHOULD NOT BE USED WITHOUT WRITTEN PERMISSION																													