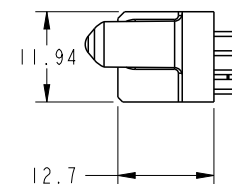
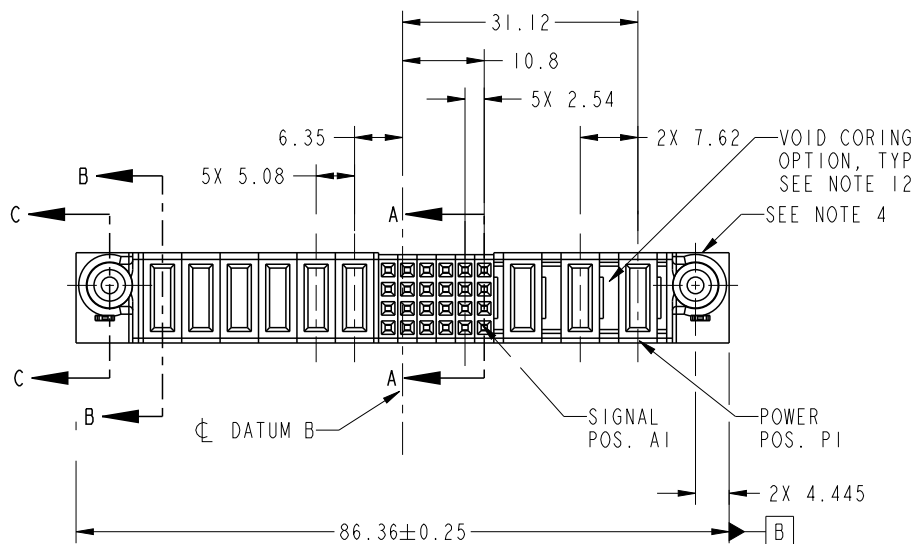


PRODUCT NO.	ROWS	POWER						SIGNAL					POWER			E1			
		E2	P9	P8	P7	P6	P5	P4	6	5	4	3	2	1	P3		P2	P1	
51940-346-- NOTE: 3	D C B A		PA	PA	PA	PA	PA	PA	E	E	E	E	E	E	E	PA	PA	PA	

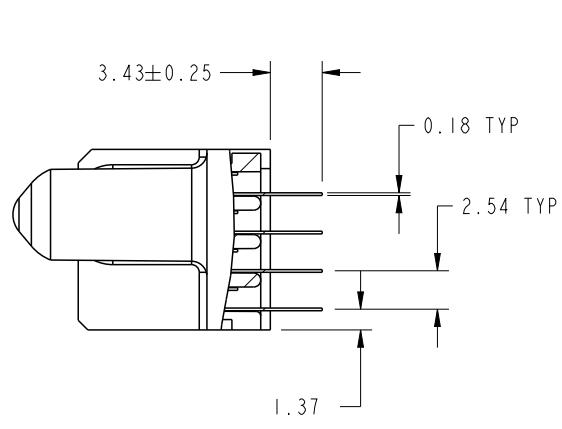


CODE	DIM "M" MATING LENGTH	CONTACT TYPE
E	[N/A]	SIGNAL
PA	[1.07]	POWER
HA	[N/A]	HOLD-DOWN

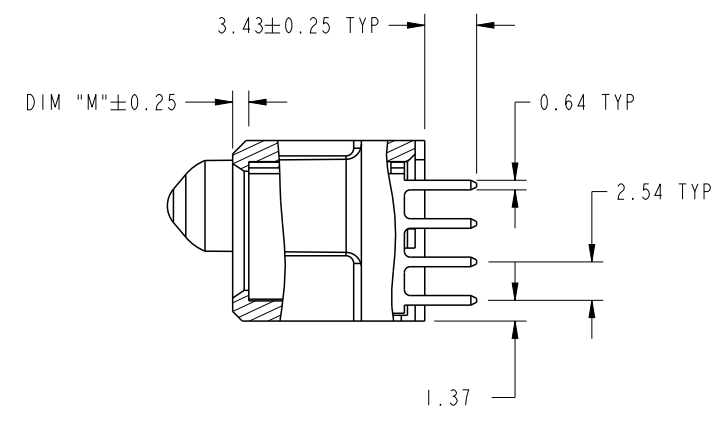
spec ref	*	dr	Anson Liu	2010/05/14	projection	MM	size	A4	scale	1:1
tolerance std	TOLERANCES UNLESS OTHERWISE SPECIFIED	eng	Luo Weller	2013/03/04			ecn no	-		
		chr	-	-						
surface	✓	appr	Pei-Ming Zheng	2013/03/04	product family	PwrBlade	rel level	Released		
linear	0.X	±0.5		3ACP + 24S + 6P	VERTICAL STB RECEPT	dwg no	51940-346	rev	A	
	0.XX	±0.25								
	0.XXX	±0.1								
angular	0°	±2°	www.fci.com	cat. no.	*	Product - Customer Drw	sheet 1 of 4			



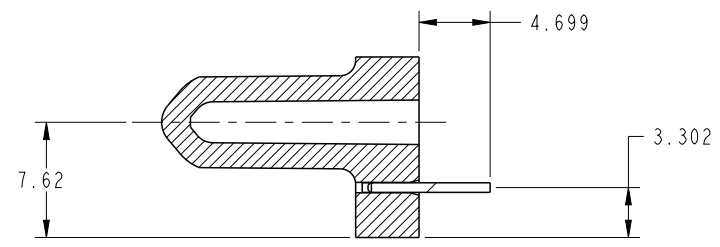
Copyright FCI.



SECTION A-A
SCALE 2:1

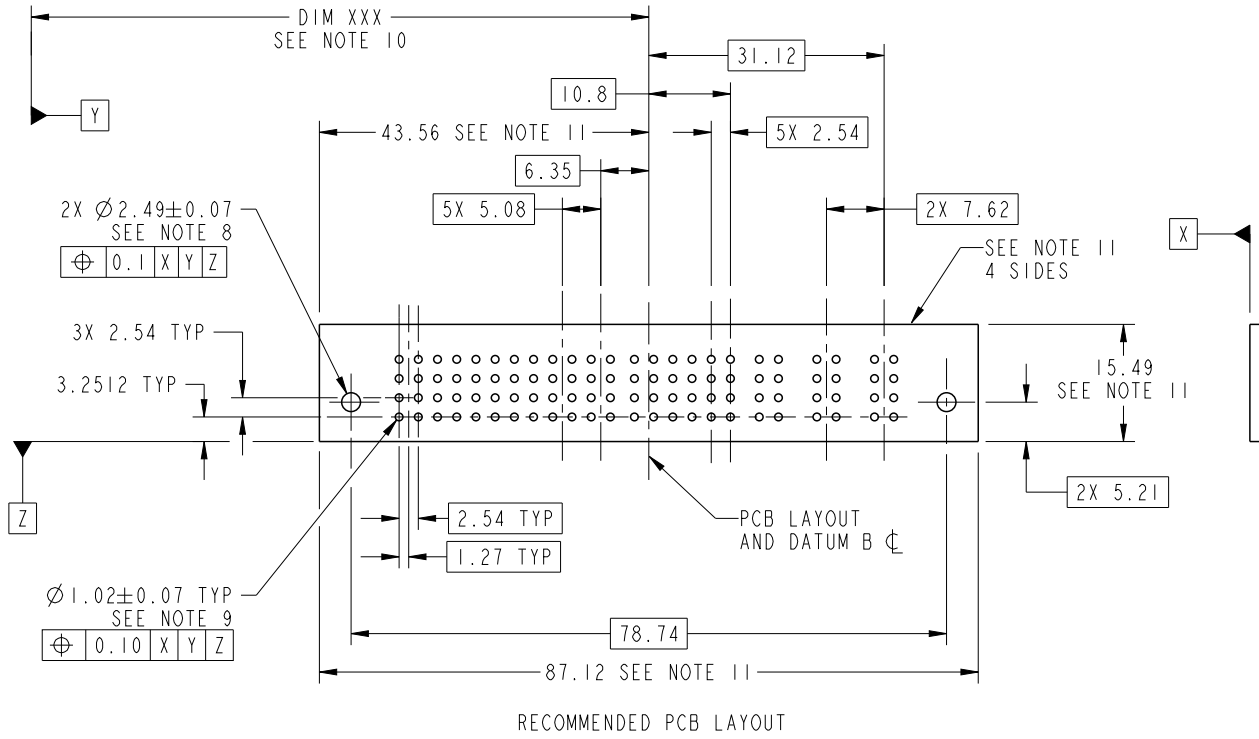


SECTION B-B
SCALE 2:1



SECTION C-C
SCALE 2:1

dr	Anson Liu	2010/05/14	projection 	MM 	size	A4	scale	1:1
eng	Luo Weller	2013/03/04			ecn no	-		
chr	-	-						
appr	Pei-Ming Zheng	2013/03/04	product family	PwrBlade	rel level	Released		
		title 3ACP + 24S + 6P VERTICAL STB RECEPT	dwg no 51940-346	rev A				
www.fci.com	cat. no.	*	Product - Customer Drw		sheet 2 of 4			



Copyright FCI.

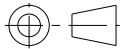


dr	Anson Liu	2010/05/14	projection 	MM 	size	A4	scale	1:1	
eng	Luo Weller	2013/03/04			ecn no	-			
chr	-	-			rel level	Released			
appr	Pei-Ming Zheng	2013/03/04	product family	PwrBlade					
		title	3ACP + 24S + 6P VERTICAL STB RECEPT		dwg no	51940-346		rev	A
www.fci.com		cat. no.	*	Product - Customer Drw		sheet 3 of 4			

NOTES:

1. DIMENSIONS AND TOLERANCES ARE IN ACCORDANCE WITH ASME Y14.5M, 1994 UNLESS OTHERWISE SPECIFIED.

CONNECTOR NOTES:

- ② HOUSING MATERIAL: UL 94 V-0 GLASS FILLED HIGH-TEMP THERMOPLASTIC
POWER CONTACT MATERIAL: COPPER ALLOY
SIGNAL PIN MATERIAL: COPPER ALLOY
 - 3. PLATING SPEC.
SEE ITEM 5&6 IN PRINT 10064183 FOR PLATING SPEC OF 51940-346, 51940-346LF RESPECTIVELY..
 - ④ MANUFACTURER'S NAME, DATE CODE AND OPTIONAL P/N TO APPEAR ON THIS SURFACE. THE P/N CAN BE OMITTED IF THERE IS NOT ENOUGH SPACE ON THIS SURFACE.
 - 5. PRODUCT SPECIFICATION GS-12-149.
APPLICATION SPECIFICATION BUS-20-067.
 - 6. PACKAGED IN TRAYS.
- PCB NOTES:
- 7. ALL HOLE DIAMETERS ARE FINISHED HOLE SIZE.
 - ⑧ MOUNTING HOLES, WHERE APPLICABLE, ARE UNPLATED.
 - ⑨ $\varnothing 1.151 \pm 0.025$ DRILLED HOLES PLATED WITH
0.008 MIN SnPb OR Sn OVER 0.03
TO 0.08 Cu PLATING TO ACHIEVE
 $\varnothing 1.02 \pm 0.07$ HOLE.
 - ⑩ "DIM XXX" TO BE DETERMINED BY THE CUSTOMER.
 - ⑪ CONNECTOR KEEP-OUT ZONE.
12. THE VOID CORING IN BETWEEN POWER MODULES, SIGNAL MODULES AND END MODULES ARE OPTIONAL AND THE SHAPE MAY BE DIFFERENT FOR OPTIMIZE THE MOLDING PROCESS. THE VOID CORING WILL NOT EFFECT TO PRODUCT FUNCTION.

dr	Anson Liu	2010/05/14	projection 	MM 	size	A4	scale	1:1	
eng	Luo Weller	2013/03/04			ecn no	-			
chr	-	-							
appr	Pei-Ming Zheng	2013/03/04	product family	PwrBlade	rel level	Released			
	title	3ACP + 24S + 6P VERTICAL STB RECEPT			dwg no	51940-346		rev	A
www.fci.com	cat. no.	*	Product - Customer Drw			sheet 4 of 4			