

PRODUCT NUMBER	PITCH
HWxx00x000J0G	7.62 mm

Dimension

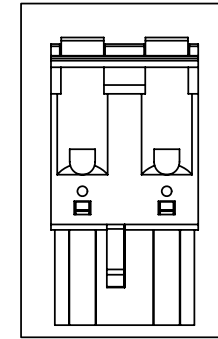
DIM L	$(N-1) \times 7.62 + 5.7$
DIM A	$(N-1) \times 7.62 + 5.0$
DIM B	$(N-1) \times 7.62$

N=Number of poles

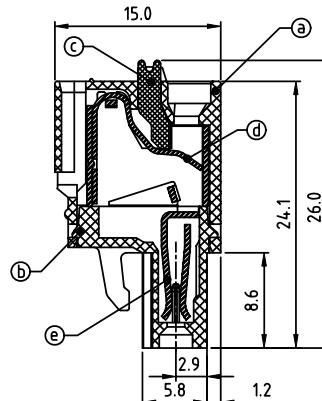
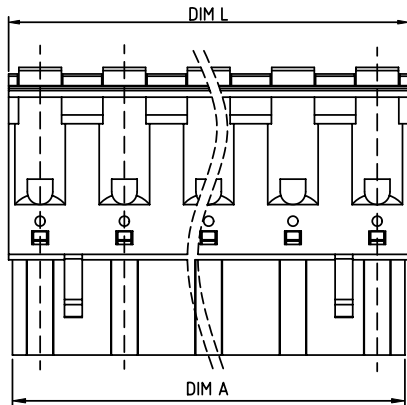
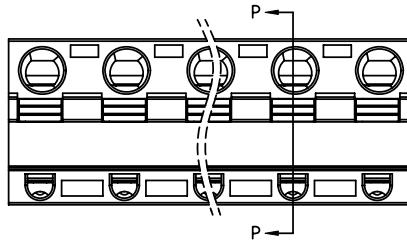
POLES	Tolerance
2p-6p	±0.15
7p-12p	±0.20
13p-16p	±0.30

PART NO.: HW xx 00 x 0 00J0 G

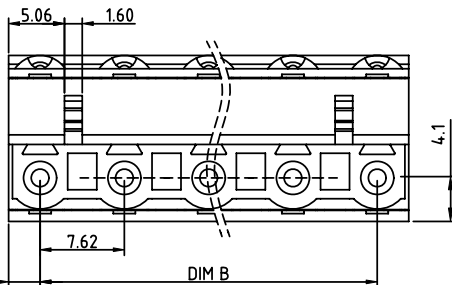
Solid block	0	Color	0 Black (RAL9005)	RoHS compliant (lead<4%)
No. of poles	2		1 Red (RAL3001/D)	In copper Alloy
02 2 poles	3		2 Orange(RAL2011/P)	
03 3 poles	4		3 Yellow(RAL1018/A)	
...	5		4 Green(RAL6018/T)	
16 16 poles	6		5 Blue (RAL5015/A)	
	8		6 Grey(RAL7035/D)	
	9		7 White(RAL1102)	
	C		8 Green(RAL6018/U)	



2P mark



SECTION P-P



Material:

- Item ① Top body: Thermoplastic (UL94V-0)
- Item ② Bottom body: Thermoplastic (UL94V-0)
- Item ③ Terminal lever: Thermoplastic (UL94V-0) Orange (RAL2011/P)
- Item ④ Spring clamp: Stainless Steel
- Item ⑤ Female contact: PhBz (CuSn) Tin plated

Electrical

- Voltage rating: 300V
- Current rating: 10A
- Solid wire (AWG): 12-26
- Stranded wire (AWG): 12-26
- Wire strip length: 8-9mm
- Withstanding Voltage: 1.6KV
- Operating temperature: -40°C to +115°C
- Safety Approval: cULus

mat'l. code		surface ASME Y14.5 ✓	tolerance ASME Y14.5	projection MM	product family TERMINAL BLOCK	
ltr	ecn no	dr	date		title TERMINAL BLOCK SPRING CLAMP, PLUGGABLE PLUG CONTACT ON DOWN SIDE	
tolerances unless otherwise specified						scale
angles		X.±0.5			dwg no HWxx00x000J0G	
X°±1'		X.XX±0.1				sheet 1 of 1
dr		EVIN ZHONG	051614			size A4
enr		EVIN ZHONG	051614	type CUSTOMER Drawing		
chr		HANKE FENG	051614			
appd		SHI JUN	051614			
sheet index	revision sheet	A	1			