

|      |      |             |          |
|------|------|-------------|----------|
| SIGN | DATE | DESCRIPTION | APPROVER |
|      |      |             |          |

THIS IS CAD DRAWING, DO NOT REVISE MANUALLY!!!

Dimension

|       |           |
|-------|-----------|
| DIM A | N×5.0     |
| DIM B | (N-1)×5.0 |

N=Number of poles

| POLES   | TOL   |
|---------|-------|
| 2p-6p   | ±0.20 |
| 7p-12p  | ±0.30 |
| 13p-16p | ±0.40 |
| 17p-24p | ±0.50 |

Material

- Insulating body      Thermoplastic ( UL94V-0 )
- Insulating lever      Thermoplastic ( UL94V-0 )
- Wire guard            Stainless Steel
- Contacts PIN          PhBz ( CuSn ) Tin plated
- Flange screw          Steel Zinc plating M2.5

Electrical

- Voltage rating:            300V
- Current rating:            10A
- Solid wire(AWG):        12-26
- Stranded wire(AWG):    12-26
- Wire strip length:        5-6mm
- Withstanding Voltage:   1.6KV
- Operating temperature:   -30°C to +105°C

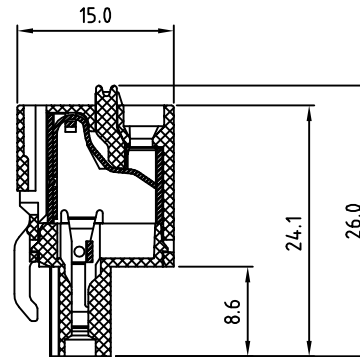
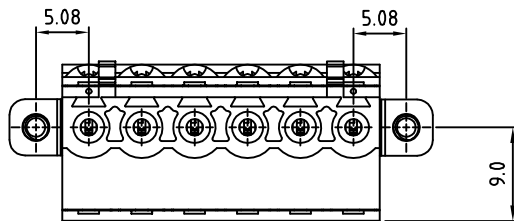
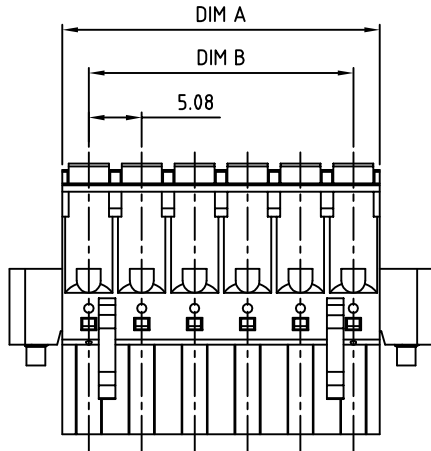
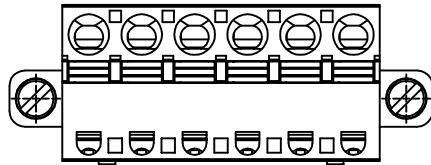
RoHS Compliant

PART NUMBER:

OSTHWXX5053

No. of Poles  
02: 2 Poles  
:  
:  
24: 24 Poles

COLOR  
0: Black  
5: Green (Standard)  
6: Blue  
8: Grey



THESE DRAWINGS AND SPECIFICATIONS ARE THE PROPERTY OF ON-SHORE TECHNOLOGY, INC. AND SHALL NOT BE REPRODUCED, COPIED OR USED IN ANY MANNER WITHOUT THE PRIOR WRITTEN CONSENT OF ON-SHORE TECHNOLOGY, INC.



|          |             |  |                     |              |   |
|----------|-------------|--|---------------------|--------------|---|
| TITLE    |             | OSTHW 5.08 Series Contact on up side ( W/F ) |                     |              |   |
| PART NO. | OSTHWXX5053 | DWG NO.                                      | OSTHWXX5053.DWG     |              |   |
| APPROVED | CHECKED     | DESIGNED                                     | DRAWN               | CUST NO.     | Tolerance   |
|          |             | Aaron<br>2007.02.14                          | Aaron<br>2007.02.14 |              | X.      ±0.50<br>X.X    ±0.30<br>X.XX   ±0.10<br>X°     ±1° |
|          |             |  |                     | UNIT: mm     |   |
|          |             |  |                     | SCALE: NONE  |   |
|          |             |  |                     | SHEET: 01/01 | REV.: B   |