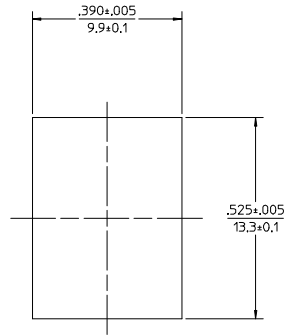
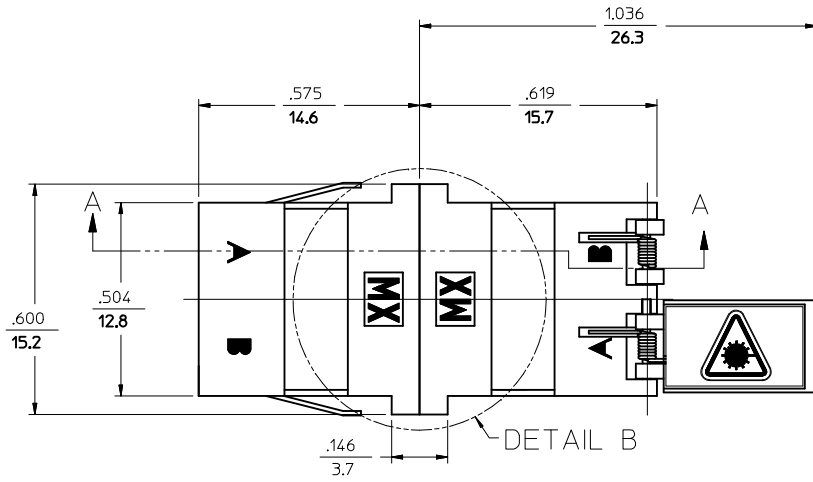
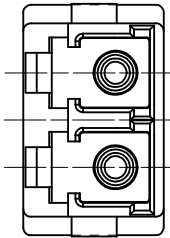
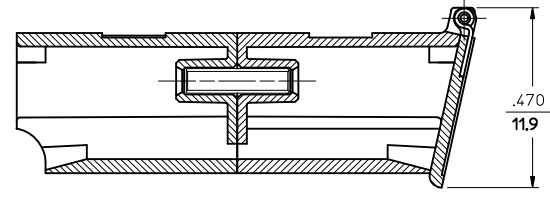


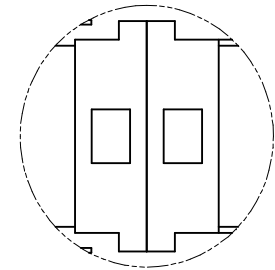
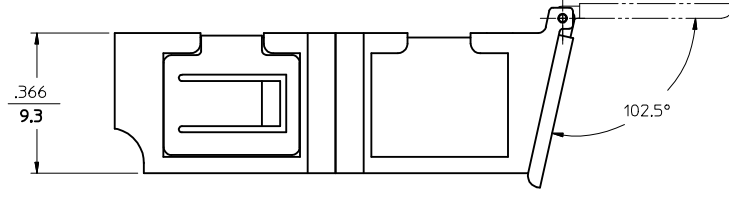
	13	12	11	10	9	8	7	6	5	4	3	2	1	
J	LC ADAPTER P/N	COLOR	SPLIT SLEEVE MATERIAL	LOGO										
	106127-1400	BLUE	Zr	MX										
106127-1430*														
106127-1420 (SEE NOTE 2)														
I	106127-0410	BEIGE	Ph. Bronze											
	106127-1450	GREEN	Zr											
106127-1480 (SEE NOTE 2)														
H	106127-1600	BLUE/METAL DOOR	Zr											
	106127-0610	BEIGE/METAL DOOR	Ph. Bronze											
G	106127-1650	GREEN/METAL DOOR	Zr											
	106127-1410	BLACK	Zr											
F	106127-9410*	AQUA	Ph. Bronze											
	106127-9010**	GREEN	Zr											
106127-1950*														
E	106198-2400	BLUE	Zr	NONE										
	106127-9020**	BEIGE	Ph. Bronze											
106198-2410														
D	106127-9000**	AQUA/METAL DOOR	Ph. Bronze	MX										
	106127-1610	AQUA	Zr	NONE										



RECOMMENDED MOUNTING CUTOUT FOR .063 MAX. THICK PANEL



SECTION A-A



DETAIL B (NO LOGO VERSION)

NOTES:

- DUST CAPS ARE NOT SHOWN, BUT INCLUDED.
- FOR P/NS 106127-1420 AND 106127-1480 LASER WARNING LABEL IS SUPPLIED UNATTACHED AND SHALL BE INSTALLED BY CUSTOMER.
- *3. P/NS 106127-9410, 106127-1950 AND 106127-1430 ARE BULK PACKED IN QUANTITIES OF 100pcs.
- **4. P/NS 106127-9000, 106127-9010 AND 106127-9020 ARE FIRST INDIVIDUALLY PACKED IN CLEAR NON-MARKED BAGS AND THEN BULK PACKED IN QUANTITIES OF 100pcs.

ENTER DESCRIPTION EC NO: MF2013-0244 DRAWN: KEVZNER 2012/10/29 CHKD: APPR: IGJMIN 2012/10/31	QUALITY SYMBOLS ▽=0 ▽=0	GENERAL TOLERANCES (UNLESS SPECIFIED)		DIMENSION STYLE IN/MM	SCALE 1:1	DESIGN UNITS INCH	THIRD ANGLE PROJECTION		
		4 PLACES ± --- ± ---	3 PLACES ± --- ± ---	DRAWN BY PGIBLIN	DATE 2005/10/05	TITLE LC DUPLEX ADAPTER W/ SHUTTERS (SMALL FLANGE/SC FOOT PRINT)			
D1	REV	2 PLACES ± --- ± ---	1 PLACE ± --- ± ---	CHECKED BY	DATE	DOCUMENT NO. SD-106127-YYYY0			
		0 PLACE ± --- ± ---		APPROVED BY	DATE				
ANGULAR ±1/2°				MATERIAL NO. SEE TABLE	THIS DRAWING CONTAINS INFORMATION THAT IS PROPRIETARY TO MOLEX INCORPORATED AND SHOULD NOT BE USED WITHOUT WRITTEN PERMISSION				
DRAFT WHERE APPLICABLE MUST REMAIN WITHIN DIMENSIONS				SIZE C					