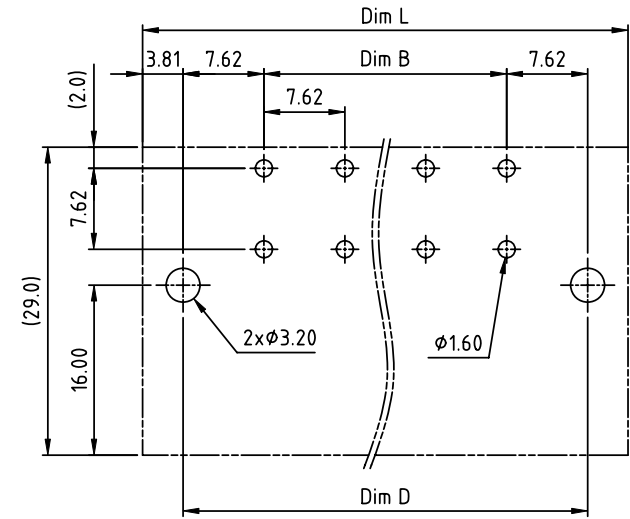
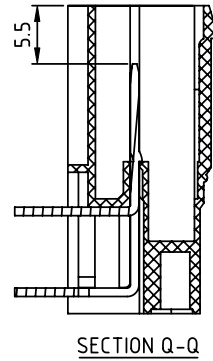
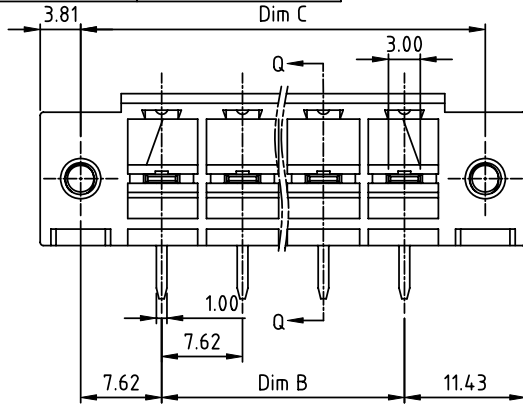
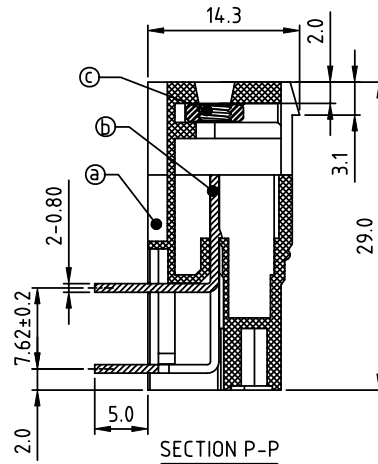
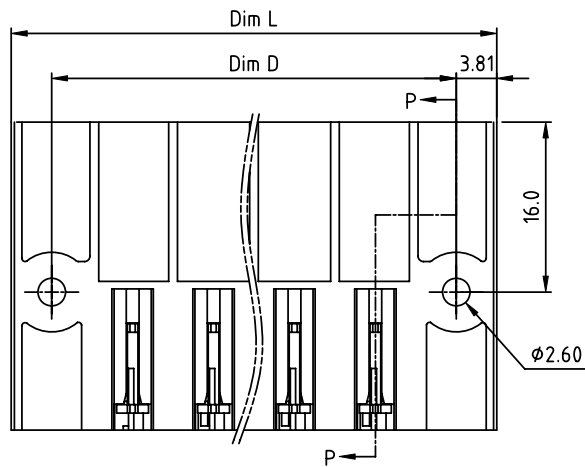


PRODUCT NUMBER	PITCH
VCxx01x000J0G	7.62mm



RECOMMENDED P.C.B LAYOUT  
TOP VIEW



SECTION P-P

Material:

- Item① Terminal(housing): Thermoplastic (UL94 V-0)
- Item② Pin: Copper Tin plated
- Item③ Flange Nut: Steel Zinc plating M3.0

Electrical

- |                         |                  |          |
|-------------------------|------------------|----------|
| ●Voltage rating:        | 300V             | TUV 800V |
| ●Current rating:        | 32A              | 32A      |
| ●Withstanding Voltage:  | 1.6KV            | 6KV      |
| ●Operating temperature: | -40°C to +115°C  |          |
| ●Soldering temperature: | 260°C± 5°C/5 Sec |          |
| ●Safety Approval:       | cULus            | TUV      |

PART NO.: VC xx 01 x 0 00J0 G

N = Number of poles  
Dim L=(N+2)×7.62  
Dim B=(N-1)×7.62  
Dim C=(N+1)×7.62  
Dim D=(N+1)×7.62

Poles	Tolerance
2-6p	±0.15
7-12p	±0.20
13-16p	±0.30

Solid block	0	Black (RAL9005)	RoHS compliant
No. of poles	2	Red (RAL3001/D)	(lead<4%)
02 2 poles	3	Orange(RAL2011/P)	In copper Alloy
03 3 poles	4	Yellow(RAL1018/A)	
...	5	Green(RAL6018/T)	
16 16 poles	6	Blue (RAL5015/A)	
	8	Grey(RAL7035/D)	
	9	White(RAL1102)	
	C	Green(RAL6018/U)	

mat'l. code		surface ASME Y14.5	tolerance ASME Y14.5	projection	product family TERMINAL BLOCK
ltr	ecn no	dr	date	tolerances unless otherwise specified	title
				angles φ mm	TERMINAL BLOCK
				X±0.5	PLUGGABLE SOCKET,RIGHT ANGLE,FLANGE WITH NUT
				X.X±0.3	TWO TAIL A TYPE
				X*1*	scale
				X.XX±0.1	FCI
		dr	EVIN ZHONG	042314	sheet 1 of 1
		enrg	EVIN ZHONG	042314	size
		chr	HANKE FENG	042314	VCxx01x000J0G
		appd	SHI JUN	042314	A4
sheet index	revision	A			type
	sheet	1			CUSTOMER Drawing