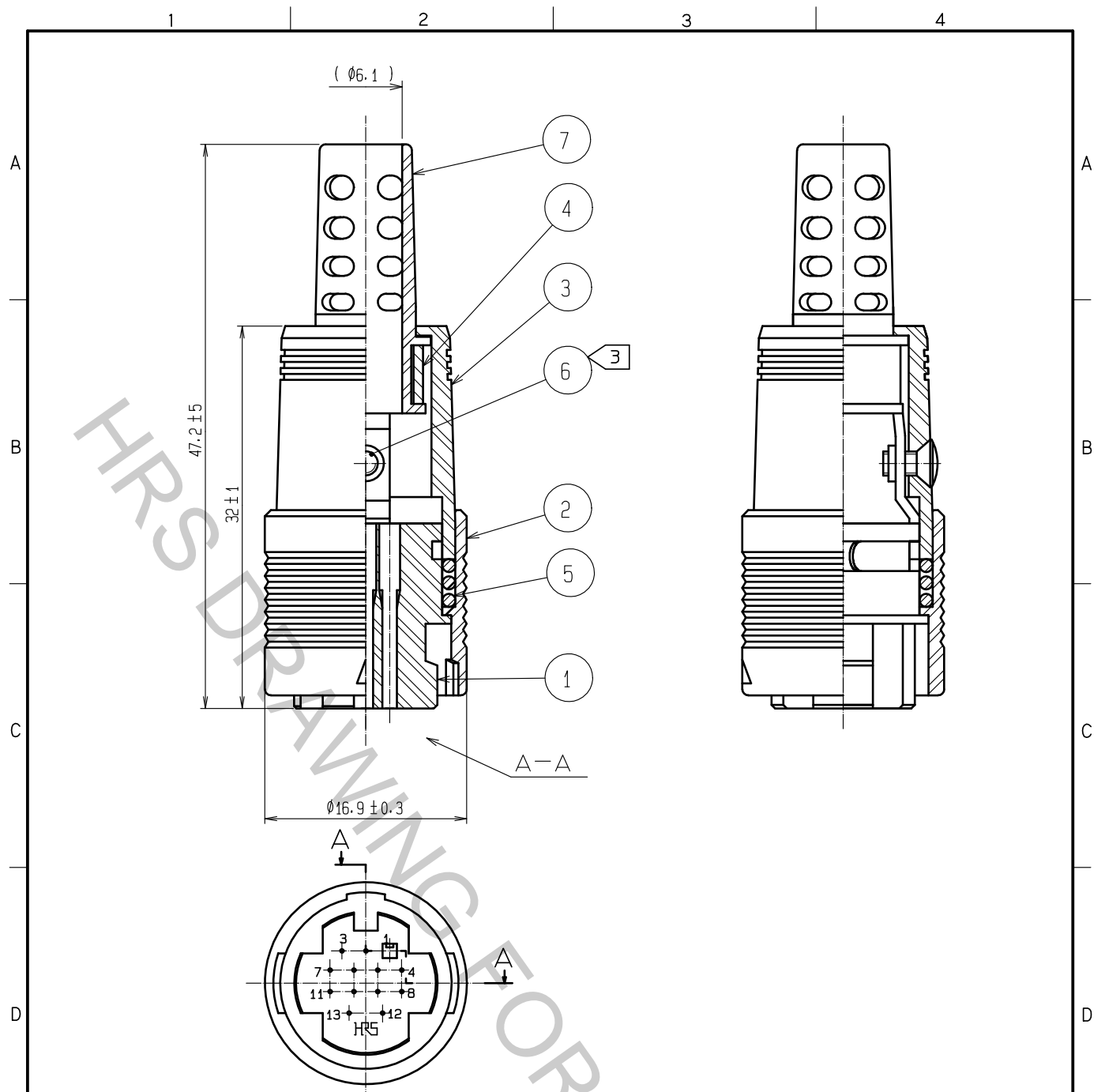


Aug.1.2018 Copyright 2018 HIROSE ELECTRIC CO., LTD. All Rights Reserved.
 In case that the application demands a high level of reliability, such as automotive,
 please contact a company representative for further information.



- NOTES
- 1 APPLICABLE CRIMP CONTACT:
 CONTACT NO. 1 TO 11: RP13A-SC-222(WIRE RANGE, #24 TO 28 AWG)
 CONTACT NO. 12 TO 13: RP13A-SC-212(WIRE RANGE, #18 TO 22 AWG)
 - 2 APPLICABLE CRIMP CONTACT CRIMPING TOOL: RP13A-TC-01(CL150-0070-0)
 APPLICABLE CRIMP CONTACT EXTRACTION TOOL: RP13A-SC-TP(CL150-0022-8)
 - 3 THE RECOMMENDED CLAMP TORQUE OF REF. NO. ⑥ TO 0.2 N · m.
 - 4 THIS PRODUCT IS DELIVERED DISASSEMBLED.
 - 5 THE CABLE CLAMP STRENGTH, ROTATION STRENGTH AND OTHER PLEASE CONFIRM BEFORE THE USE.

4	BRASS				
3	POLYCARBONATE	(BLACK) UL94V-0	7	PVC	(BLACK)
2	POLYCARBONATE	(BLACK) UL94V-0	6	BRASS	ZINC PLATING BLACK CHROME TREATMENT (TRIVALENT CHROMIUM) JIS B 1111 M2X0.4X4
1	POLYCARBONATE	(BLACK) UL94V-0	5	STEEL	NICKEL PLATING
NO.	MATERIAL	FINISH . REMARKS	NO.	MATERIAL	FINISH . REMARKS

UNITS mm		SCALE 2 : 1	COUNT 	DESCRIPTION OF REVISIONS	DESIGNED	CHECKED	DATE
HIROSE ELECTRIC CO., LTD.		APPROVED :HY. KOBAYASHI 18.02.26	DRAWING NO.	EDC-009829-31-00			
		CHECKED :HY. KOBAYASHI 18.02.26	PART NO.	RP13A-12PB-13SC(31)			
		DESIGNED :DS. MATSUNE 18.02.24	CODE NO.	CL113-0184-0-31			
		DRAWN :AI. NISHIYAMA 18.02.16		1/1			