

COUNT	DESCRIPTION OF REVISIONS	BY	CHKD	DATE	COUNT	DESCRIPTION OF REVISIONS	BY	CHKD	DATE

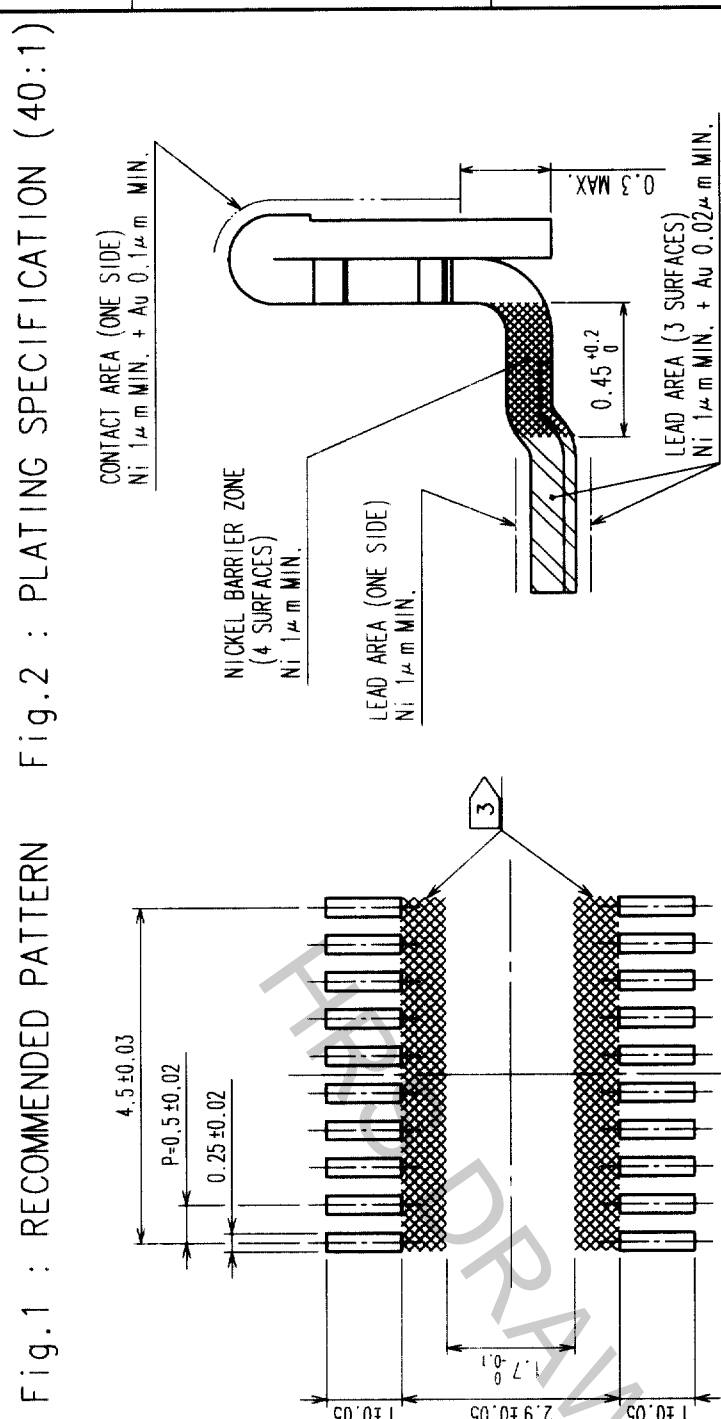


Fig.1 : RECOMMENDED PATTERN Fig.2 : PLATING SPECIFICATION (40:1)

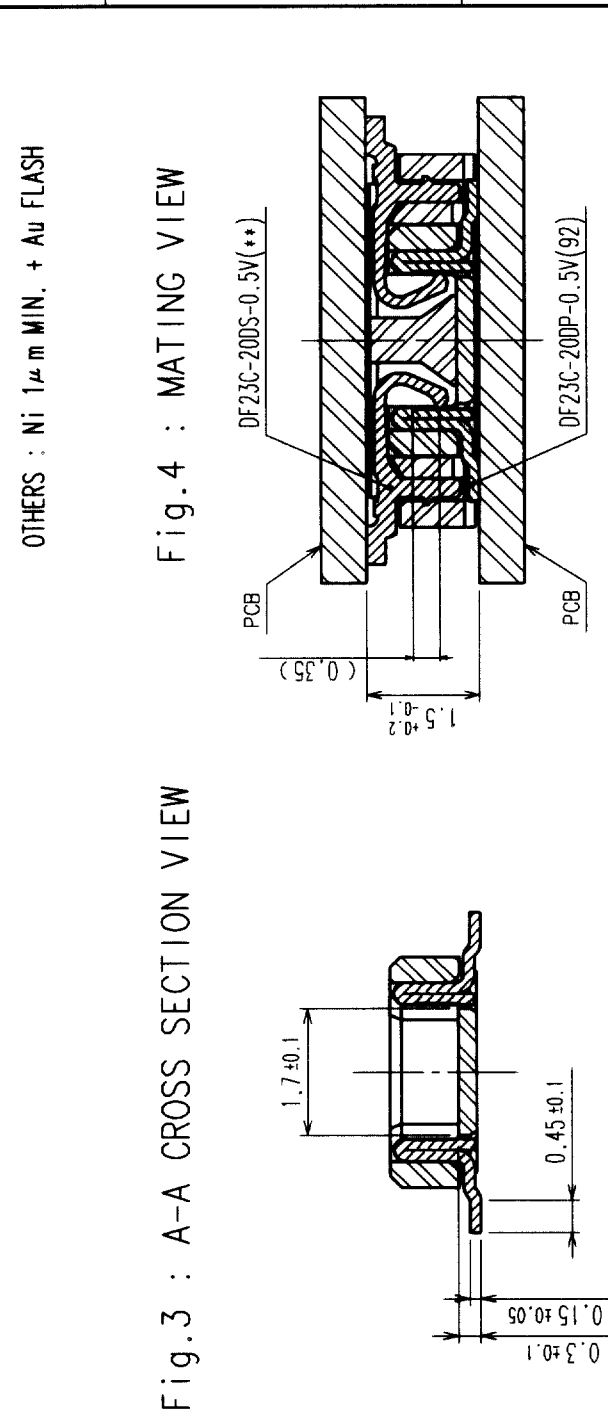


Fig.3 : A-A CROSS SECTION VIEW Fig.4 : MATING VIEW

2	PHOSPHOR BRONZE	2	POLYESTER	4	CLEAR	CLEAR
1	LCP	3	PS	3	CLEAR	CLEAR
NO.	MATERIAL	FINISH, REMARKS	NO.	MATERIAL	FINISH, REMARKS	
CODE NO. (OLD)	DRAWN		DESIGNED	CHECKED	APPROVED	RELEASED
	F. Matsuki		T. Yamamoto	T. Sakata	T. Sakata	
	'03.12.11		'03.12.11	'03.12.11	'03.12.11	
DRAWING NO.	EDC3-164003-03	PART NO.	DF23C-20DP-0.5V(92)			
SCALE	10 : 1	CODE NO.	CL688-0801-8-92			
UNITS	mm					

NOTES 1 LEAD CO-PLANARITY SHALL BE 0.1mm MAX.
 2 REFER TO Fig.2
 3 WHEN A PART MARKED WITH HAS A PATTERN BUT NO RESIST ON IT, TAKE CARE TO PREVENT THE CONNECTOR FROM TOUCHING IT.

TO	

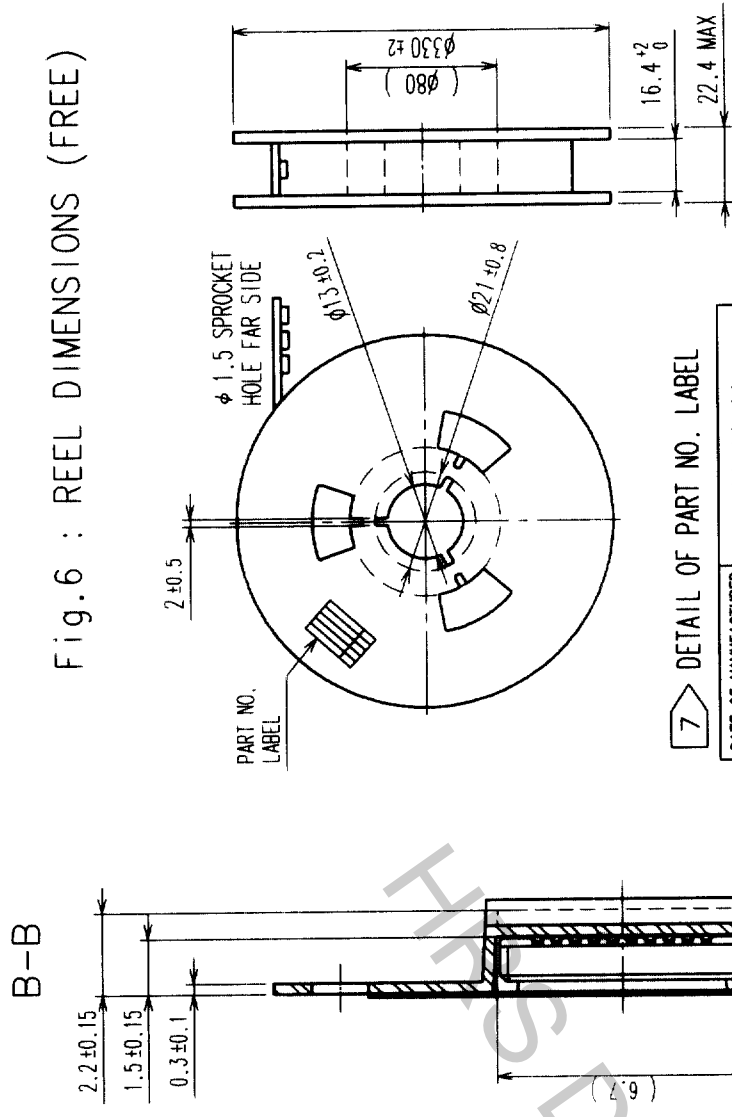
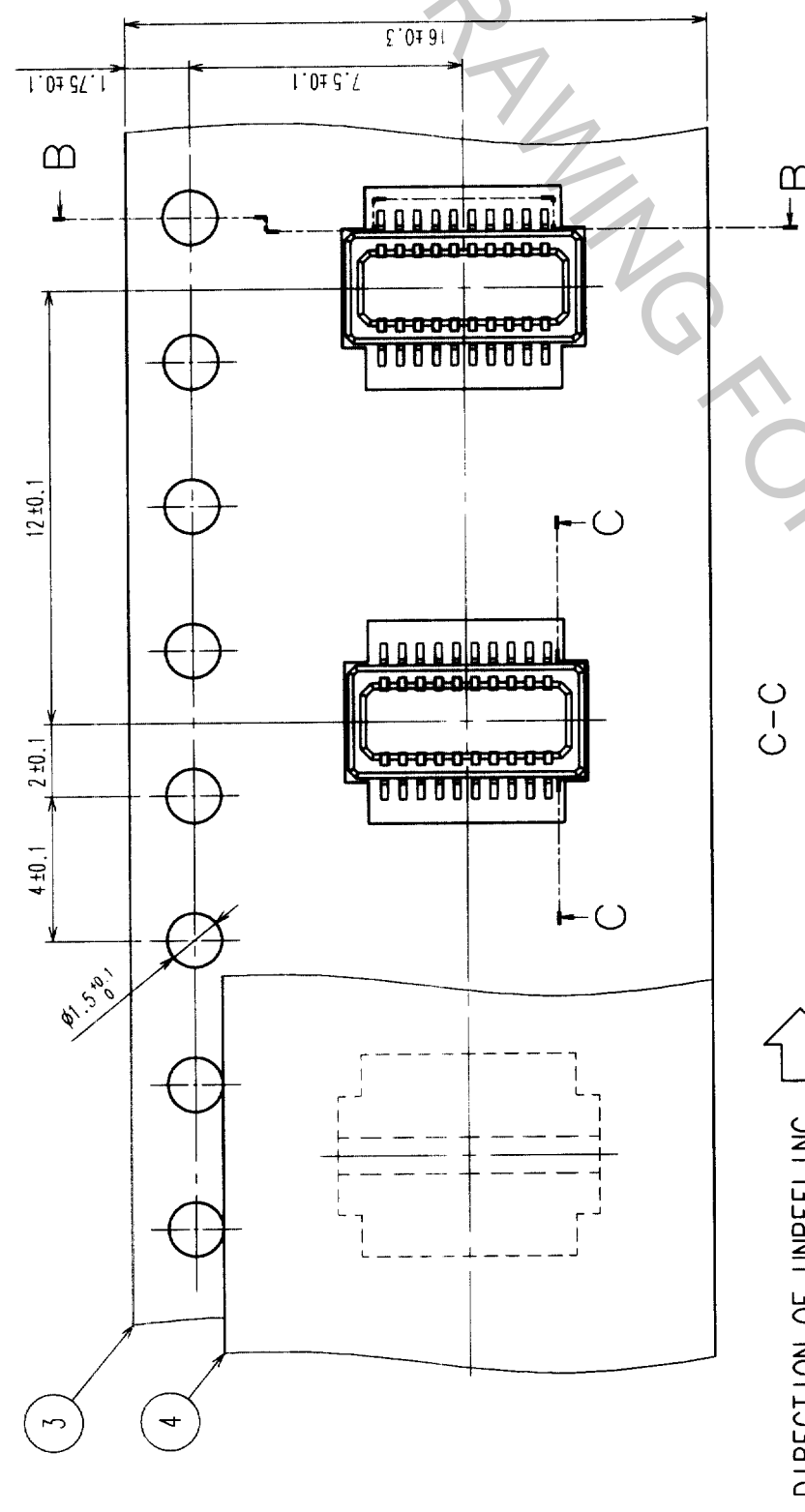


Fig. 6 : REEL DIMENSIONS (FREE)

7 **DETAIL OF PART NO. LABEL**

DATE OF MANUFACTURED	*** ** *
CODE NO.	CL688-0801-8-92
PART NO.	DF23C-20DP-0.5V(92)
QUANTITY	2000
SUPPLIER	HIROSE ELECTRIC CO., LTD.



DIRECTION OF UNREELING →

Fig. 5 : TAPING (FREE)

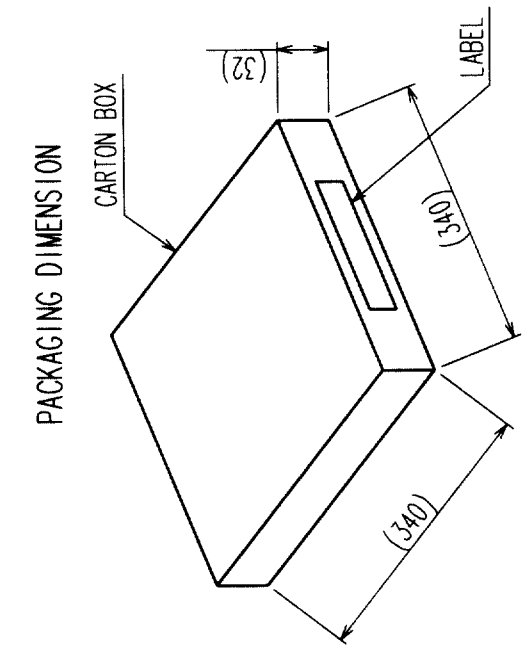


Fig. 7 : PACKAGING SPECIFICATION (FREE)

DETAIL OF LABEL

CODE NO.	NUMBER OF REELS PER BOX
品名 688-0801-8-92	1RL
数量 DF23C-20DP-0.5V(92)	QTY 2000
PART NO.	NUMBER OF PRODUCTS PER REEL

TRAILER

LEADER

NOTES
 4 PER REEL 2000 CONNECTORS
 5 THE DIMENSIONS IN PARENTHESES ARE FOR REFERENCE.
 6 REFER TO JIS C 0806
 (PACKAGING OF COMPONENTS FOR AUTOMATIC HANDLING)
 7 DETAIL OF PART NO. LABEL IS WRITTEN IN JAPANESE.

CODE NO. (OLD)	DRAWN	DESIGNED	CHECKED	APPROVED	RELEASED
	F. Matsuki	J. Yamamoto	J. Saito	J. Saito	
	'03.12.11	'03.12.11	'03.12.11	'03.12.11	
DRAWING NO.	PART NO.				
EDC3-164003-03	DF23C-20DP-0.5V(92)				
SCALE	UNITS				
5 : 1	mm				
HIROSE ELECTRIC CO., LTD.		CODE NO.		CL688-0801-8-92	
				2	

TO