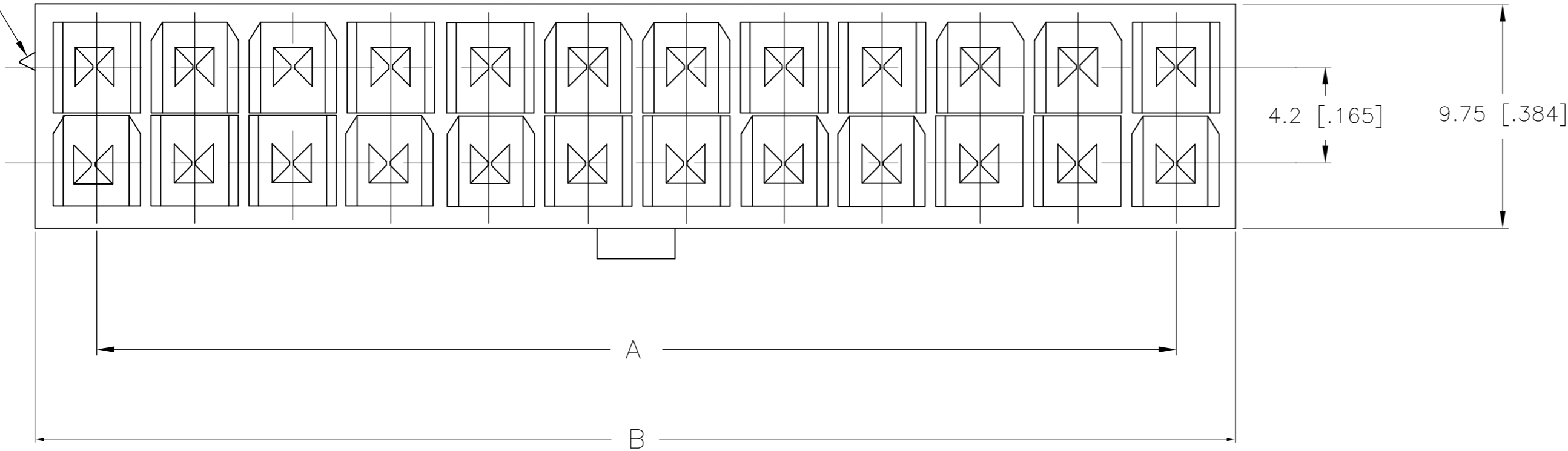


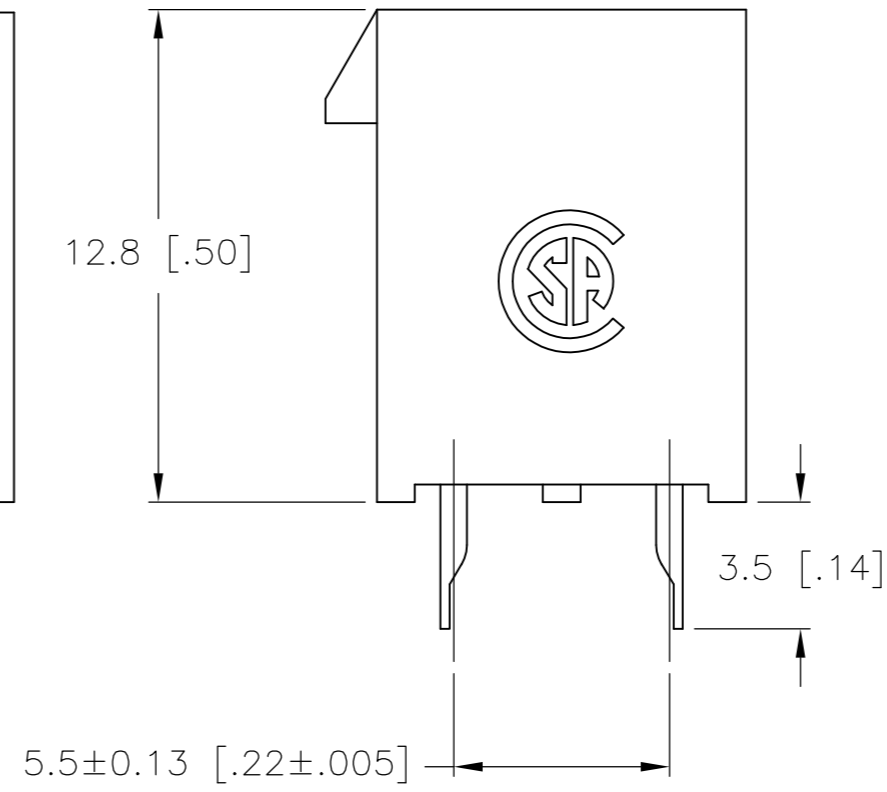
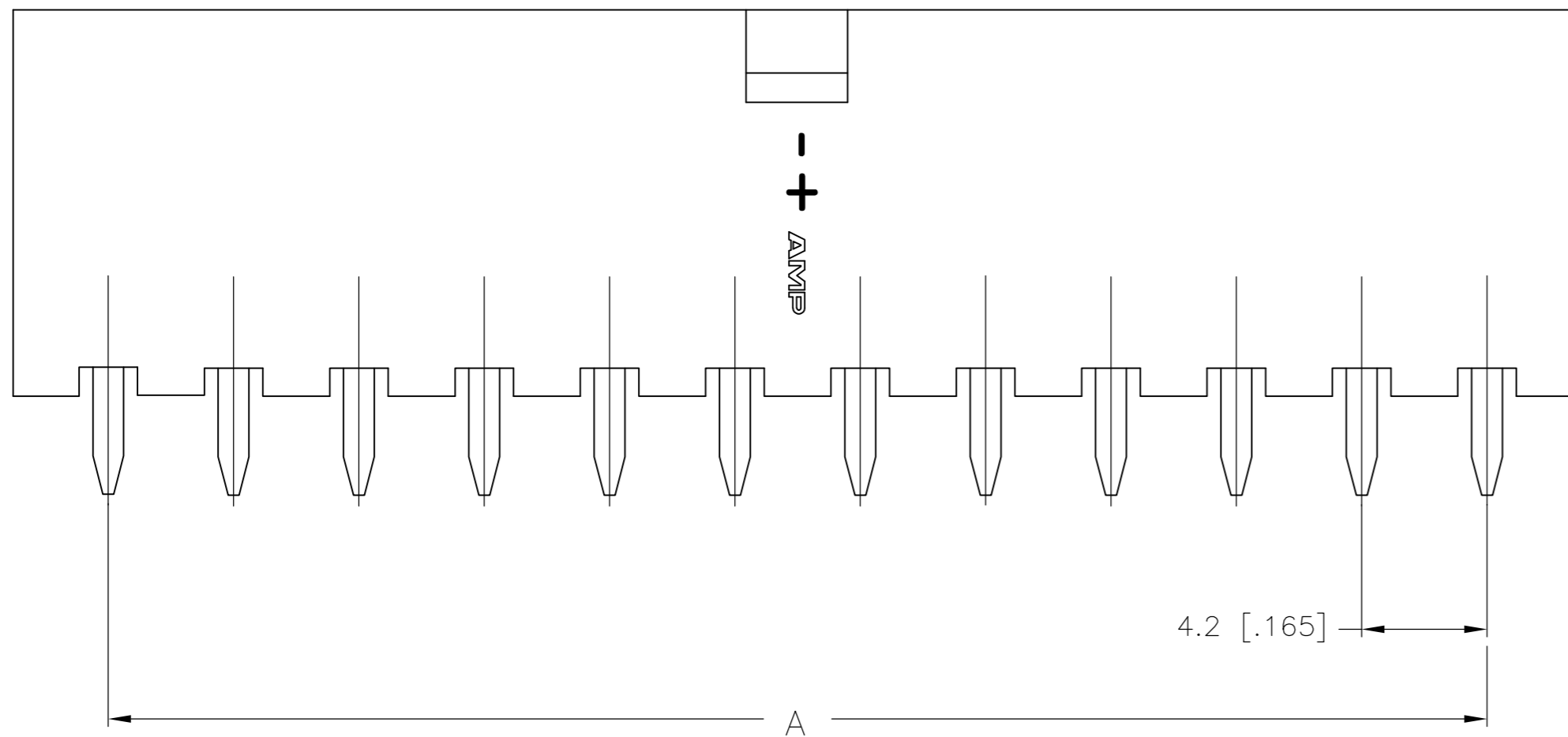
THIS DRAWING IS UNPUBLISHED. RELEASED FOR PUBLICATION
 © COPYRIGHT - By - ALL RIGHTS RESERVED.

| LOC | | DIST | | REVISIONS | | | |
|-----|-----|-------------|---------------------------|-----------|---------|------|----|
| P | LTR | DESCRIPTION | | DATE | DWN | APVD | |
| CM | 00 | B4 | REVISED PER ECO-12-010618 | | 06JUN12 | JR | SM |

POSITION 1
IDENTIFICATION FEATURE



- 1 MATERIAL: HOUSING-NYLON, UL94V-2 (COLOR-NATURAL, COLOR OF PARTS MAY VARY) CONTACTS-0.25 [.010] THICK BRASS ALLOY.
- 2 CONTACT FINISH: 0.002032 [.000080] MIN MATTE TIN OVER 0.000381 [.000015] MIN NICKEL OVER ENTIRE CONTACT.
- 3 MATES WITH VAL-U-LOK(TM) RECEPTACLE HOUSINGS.



| | | | |
|-----|----------------------|-------------|-------------|
| 24 | 46.2±0.25 [1.82±.01] | 51.6 [2.03] | 2-1586037-4 |
| 22 | 42.0±0.25 [1.65±.01] | 47.4 [1.87] | 2-1586037-2 |
| 20 | 37.8±0.25 [1.49±.01] | 43.2 [1.70] | 2-1586037-0 |
| 18 | 33.6±0.25 [1.32±.01] | 39.0 [1.54] | 1-1586037-8 |
| 16 | 29.4±0.25 [1.16±.01] | 34.8 [1.37] | 1-1586037-6 |
| 14 | 25.2±0.25 [.99±.01] | 30.6 [1.21] | 1-1586037-4 |
| 12 | 21.0±0.25 [.83±.01] | 26.4 [1.04] | 1-1586037-2 |
| 10 | 16.8±0.13 [.66±.005] | 22.2 [.87] | 1-1586037-0 |
| 8 | 12.6±0.13 [.50±.005] | 18.0 [.71] | 1586037-8 |
| 6 | 8.4±0.13 [.33±.005] | 13.8 [.54] | 1586037-6 |
| 4 | 4.2±0.13 [.17±.005] | 9.6 [.38] | 1586037-4 |
| 2 | | 5.4 [.21] | 1586037-2 |
| POS | A | B±0.25[.01] | PART NUMBER |

2-1586037-4 SHOWN

| | | | | |
|--|--|---------------------------|--|-----------------|
| THIS DRAWING IS A CONTROLLED DOCUMENT. | | DWN S. HOOVER 18-SEP-2002 | TE Connectivity | |
| DIMENSIONS: mm [INCHES] | | CHK D. COLEY 18-SEP-2002 | | |
| TOLERANCES UNLESS OTHERWISE SPECIFIED: | | APVD D. COLEY 18-SEP-2002 | NAME | |
| 0 PLC ± | | PRODUCT SPEC | VERTICAL HEADER WITHOUT PEGS, WITH DRAIN HOLES VAL-U-LOK(TM) | |
| 1 PLC ± 0.5 [.02] | | APPLICATION SPEC | SIZE A2 | CAGE CODE 00779 |
| 2 PLC ± 0.25 [.010] | | WEIGHT | DRAWING NO C=1586037 | RESTRICTED TO - |
| 3 PLC ± | | CUSTOMER DRAWING | SCALE 5:1 | SHEET 1 of 1 |
| 4 PLC ± | | | REV B4 | |
| ANGLES ± | | | | |
| FINISH | | | | |

