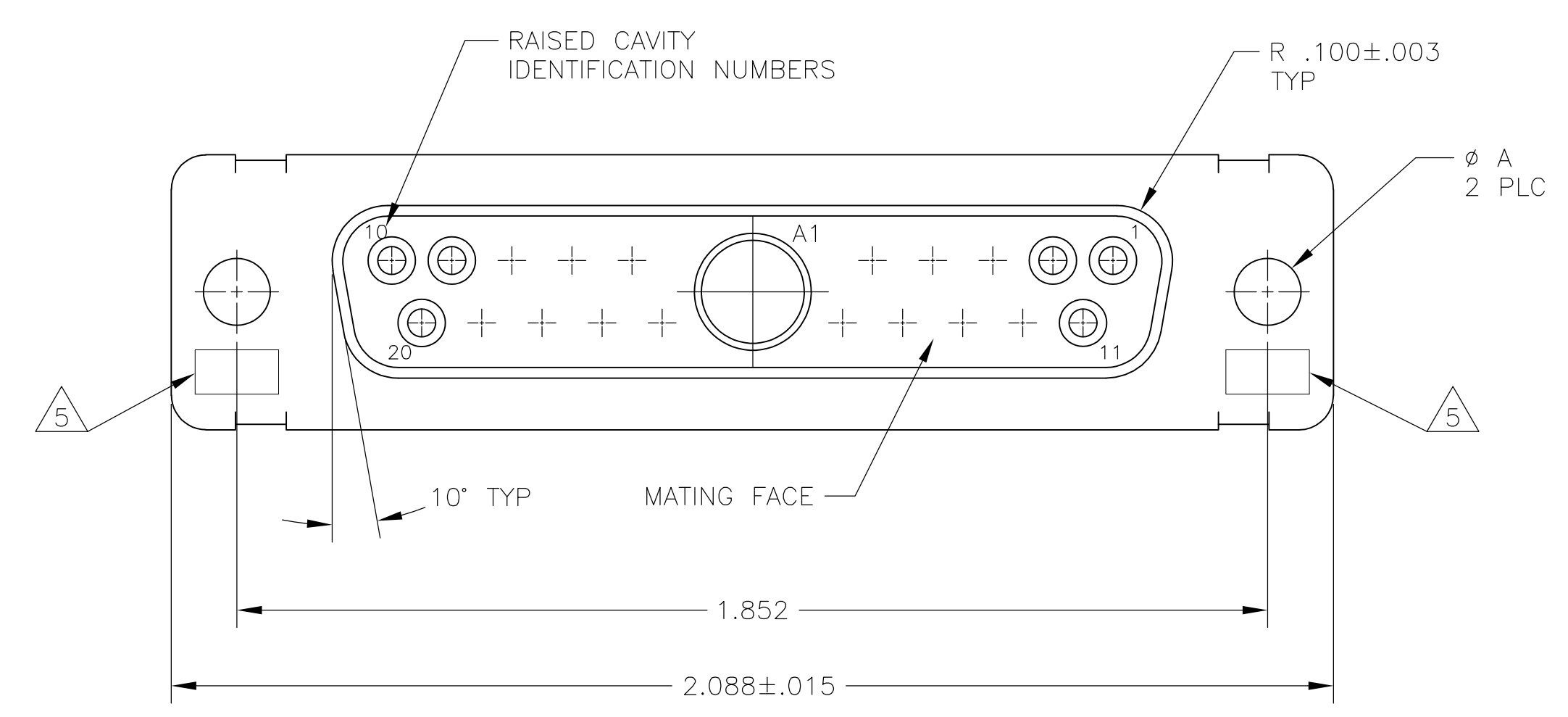
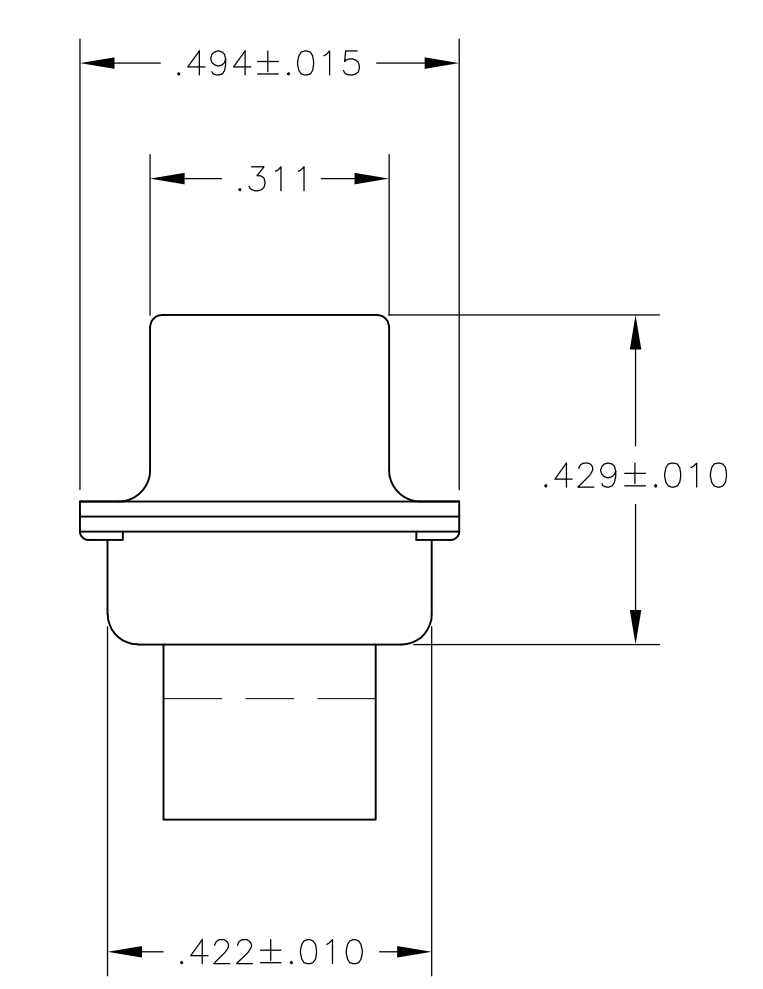
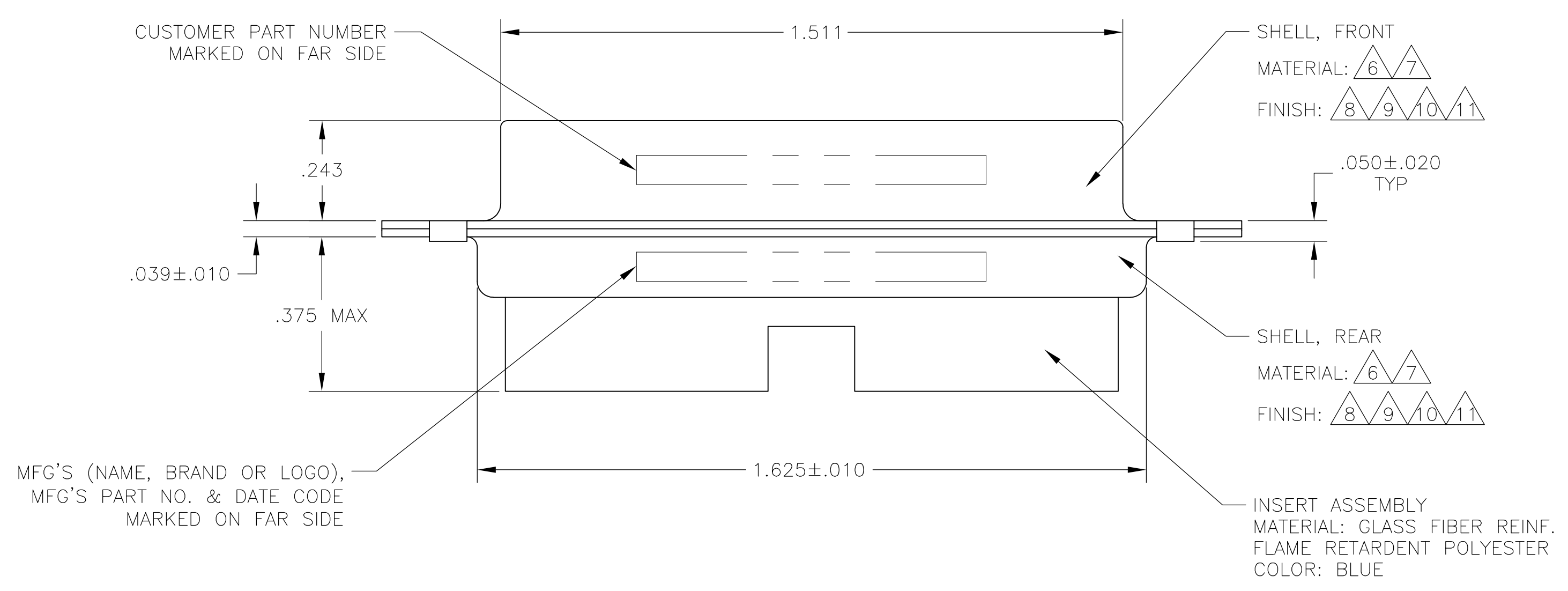


LOC		DIST		REVISIONS			
DF	X5	REV	DATE	BY	CHK	APPV	
T	REVISED PER ECO-12-004104		16MAR12	PY	RL		



- THIS RECEPTACLE WILL MATE WITH ANY 21C1, SIZE 3 PLUG IN AMPLIMITE SERIES.
- MAXIMUM WIRE INSULATION TO BE USED WITH THIS RECEPTACLE IS  $\phi$ .068.
- THIS CONNECTOR ACCEPTS (1) SIZE 8 POWER OR COAX SOCKET CONTACT IN POSITION A1, PURCHASED SEPARATELY.
- THIS CONNECTOR ACCEPTS SIZE 20 SOCKET SIGNAL CONTACTS IN POSITIONS 1 THRU 20, PURCHASED SEPARATELY.
- UL/CSA DESIGNATION STAMPED IN THIS AREA, OPTIONAL.
- STEEL PER ASTM-A-109.
- BRASS PER MIL-C-50 AND ASTM-B-36 UNS NO. C26000.
- FINISH: CADMIUM PLATED PER QQ-P-416.
- FINISH: GOLD PLATED PER MIL-G-45204 TYPE II, GRADE C, CLASS 1 OVER COPPER PER MIL-C-14550, CLASS IV.
- FINISH: TIN PER ASTM-B-545 .000400 MIN THK OVER COPPER PER AMS2418 .000050 MIN THK.
- FINISH: ZINC PLATE PER ASTM-B-633 .000200-.000400 THK WITH SUPPLEMENTARY CHROMATE (Cr3+).



$\triangle 6 \triangle 8$	.120	T5935-0103-001	212526-7
$\triangle 6 \triangle 10$	.120	-	5-212526-2
$\triangle 6 \triangle 11$	.120	-	5-212526-1
$\triangle 6 \triangle 10$	.120	-	212526-6
$\triangle 7 \triangle 9$	.120	B010942-0040	212526-5
$\triangle 7 \triangle 9$	.154	311P405-14S-B-15	212526-4
$\triangle 7 \triangle 9$	.120	311P405-14S-B-12	212526-3
$\triangle 6 \triangle 10$	.120	-	212526-2
$\triangle 6 \triangle 8$	.120	-	212526-1
REMARKS	$\phi$ A	CUSTOMER P/N	PART NO.

THIS DRAWING IS A CONTROLLED DOCUMENT.

DIMENSIONS: INCHES	TOLERANCES UNLESS OTHERWISE SPECIFIED:	DIN C.C.THOMAS 05FEB05	CHK A.FMADI 08FEB05	APVD A.FMADI 08FEB05	NAME
0 PLC ± -	1 PLC ± -	2 PLC ± -	3 PLC ± .005	4 PLC ± -	ANGLES ± 0° 30'
MATERIAL SEE CALLOUTS	FINISH SEE CALLOUTS	WEIGHT	SIZE A1	CAGE CODE 00779	DRAWING NO. 212526
CUSTOMER DRAWING		SCALE 4:1	SHEET 1 OF 1	REV T	RESTRICTED TO

**STE** TE Connectivity  
 RECEPTACLE ASSEMBLY, AMPLIMITE, 21C1  
 SIZE 3, SERIES 109, COAX MIX