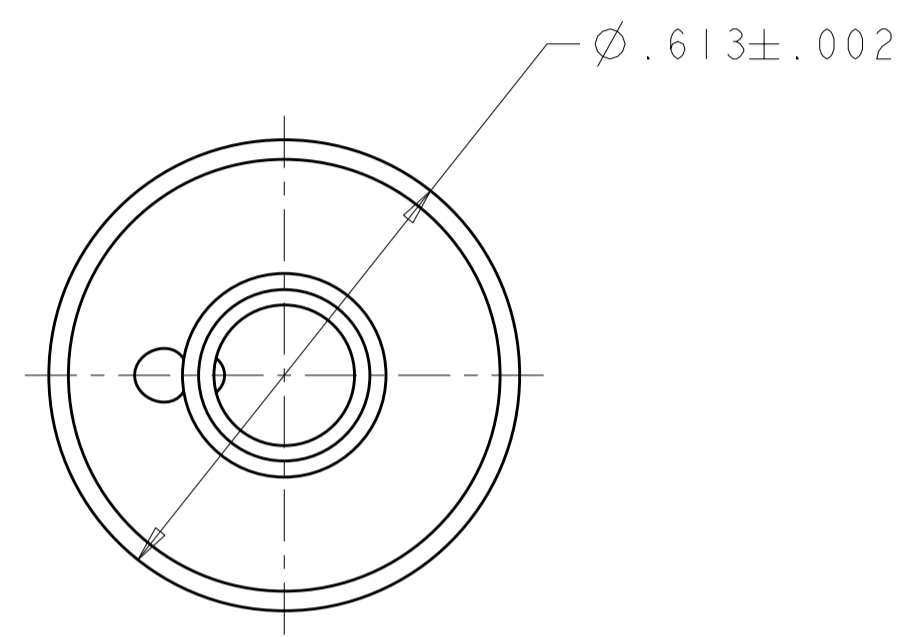
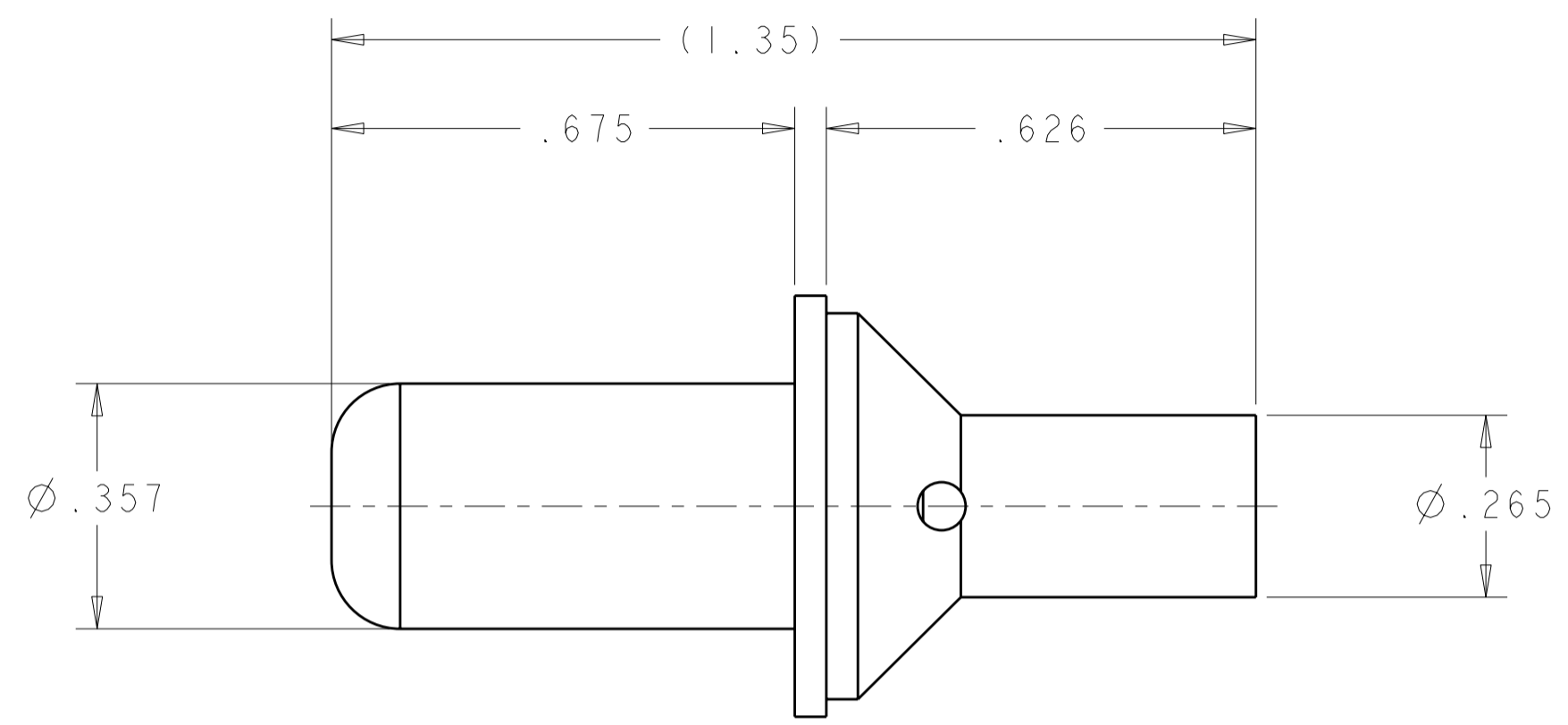


THIS DRAWING IS UNPUBLISHED. RELEASED FOR PUBLICATION 20
 © COPYRIGHT 20 BY TYCO ELECTRONICS CORPORATION. ALL RIGHTS RESERVED.

LOC	DIST	REVISIONS					
GP	00	P	LTR	DESCRIPTION	DATE	DWN	APVD
			A	RELEASED	19FEB2009	RG	DO



- PART NUMBER CHANGES AND/OR DESIGN CHANGES AFFECTING ITEM INTERCHANGEABILITY REQUIRES PRIOR TYCO ELECTRONICS APPROVAL AND AUTHORIZATION BY REVISION TO THIS DRAWING.
- MATERIAL:
BODY: COPPER ALLOY
- FINISH:
BODY: SILVER PLATE .000200 MIN THK.
OVER NICKEL .000040 MIN THK.
- ITEMS PROVIDED TO THIS SPECIFICATION TO BE PERMANENTLY IDENTIFIED ON THE CONTAINER PER THE FOLLOWING IDENTIFIER:

TYCO ELECTRONICS P/N: XXXXXXXX-X
 DATE CODE (eg. 0216): YEAR 1 WEEK 1
 XXXX

AS SHOWN	1766273-1
DESCRIPTION	PART NUMBER

<small>THIS DRAWING IS A CONTROLLED DOCUMENT FOR TYCO ELECTRONICS CORPORATION. IT IS SUBJECT TO CHANGE AND THE CONTROLLING ENGINEERING ORGANIZATION SHOULD BE CONTACTED FOR THE LATEST REVISION.</small>		DWN: R. GRZYBOWSKI 19FEB2009 CHK: D. ORRIS 19FEB2009 APVD: M. PERCHERKE 19FEB2009	Tyco Electronics Harrisburg, PA 17105-3608
DIMENSIONS: INCHES	TOLERANCES UNLESS OTHERWISE SPECIFIED: 0 PLC ± 1 PLC ±.01 2 PLC ±.005 3 PLC ± 4 PLC ± ANGLES ± FINISH	PRODUCT SPEC: - APPLICATION SPEC: - WEIGHT: -	NAME: PIN CONTACT, SIZE No.0 WITH No.8 AWG CRIMP BARREL DRAWER SIZE: A2 CAGE CODE: 00779 DRAWING NO: 1766273 RESTRICTED TO: -
MATERIAL: 2 -		FINISH: 3 - CUSTOMER DRAWING SCALE: 4:1 SHEET 1 OF 1 REV A	