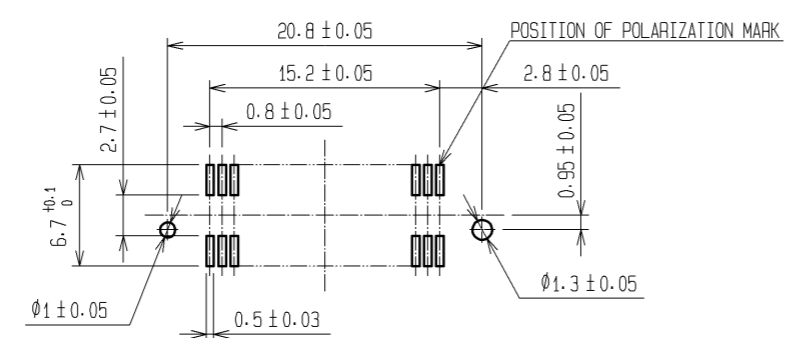


- NOTE
- 1 HRS MARK SHALL BE OPTIONAL.
 - 2 LEAD CO-PLANARITY SHALL BE 0.1mm MAX.
 - 3 EMBOSSED CARRIER TAPE PACKAGING SHALL BE APPLIED FOR THIS PRODUCT. SEE NEXT PAGE FOR DETAILS.
 - 4 THIS PRODUCT HAS TAPE FOR VACUUM PICKUP. SEE NEXT PAGE FOR DETAIL OF STICKING POSITION, ETC.
 - 5 FOR MODIFICATION, ETC. PREVENTIVE HOLE FOR SINK MARK MAY BE ADDED ACCORDING TO CIRCUMSTANCES.
 - 6 THE DIMENSIONS IN PARENTHESES ARE FOR REFERENCE.

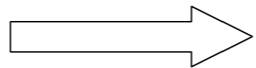
RECOMMENDED LAND PATTERN DIMENSION OF PCB (MOUNTING SIDE)
(RECOMMENDED METAL MASK THICKNESS: 0.15mm)



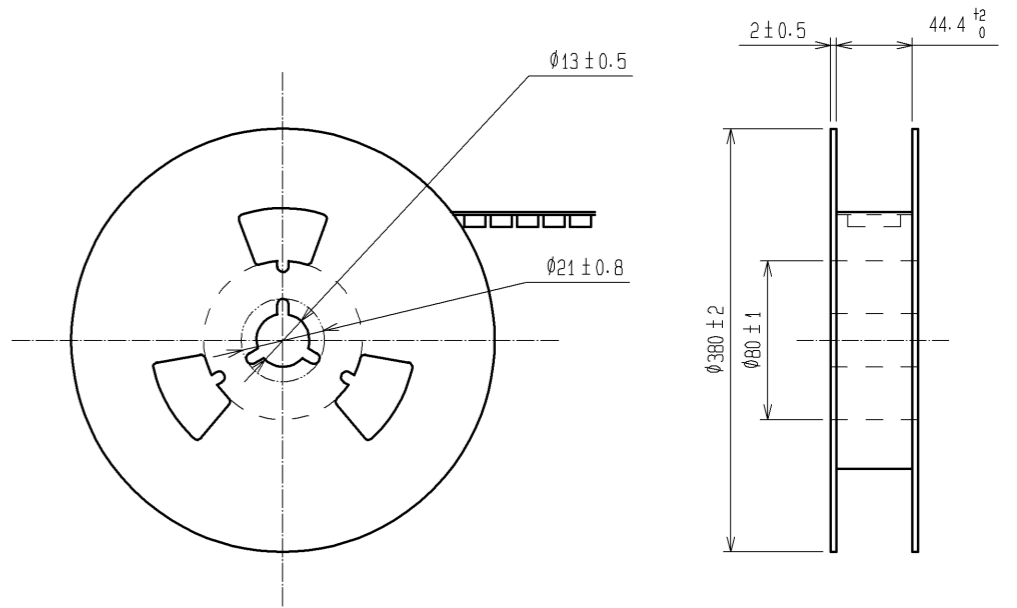
2	PHOSPHOR BRONZE	CONTACT AREA: GOLD 0.1µm min.						
		LEAD AREA: TIN-PLATING 1µm min.						
		UNDER PLATING: NICKEL 1µm min.						
1	PPS	LIGHT BROWN (UL94V-0)	5	POLYIMIDE	(TAPE FOR VUCUUM PICKUP)			
			4	POLYESTER	(TOP COVER TAPE)			
			3	POLYSTYRENE	(EMBOSSD CARRIER TAPE)			
NO.	MATERIAL	FINISH . REMARKS	NO.	MATERIAL	FINISH . REMARKS			
UNITS mm		SCALE 2 : 1	COUNT 	DESCRIPTION OF REVISIONS		DESIGNED	CHECKED	DATE
HRS HIROSE ELECTRIC CO., LTD.		APPROVED : HS. OKAWA 08.07.23	DRAWING NO. EDC3-084966-23					
		CHECED : HT. YAMAGUCHI 08.07.23	PART NO. FX6-40P-0.8SV1(93)					
		DESIGNED : SY. KAMIGA 08.07.22	CODE NO. CL576-0023-6-93					
		DRAWN : HK. SUNADORI 08.07.18						

DRAWING FOR PACKING(2:1)

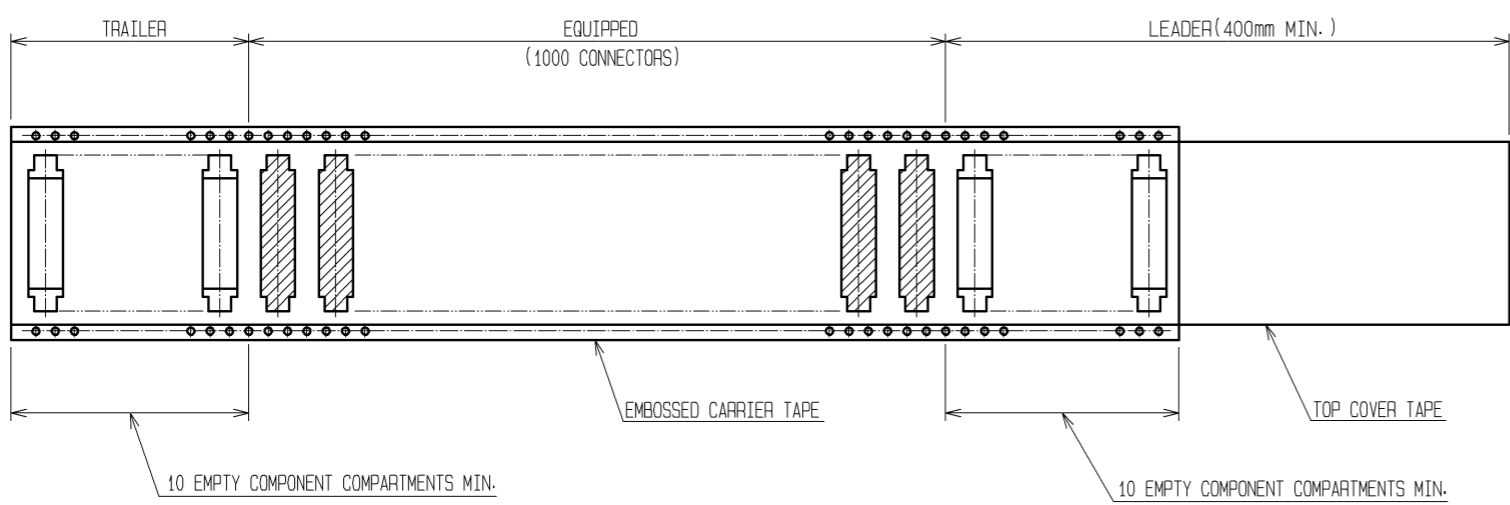
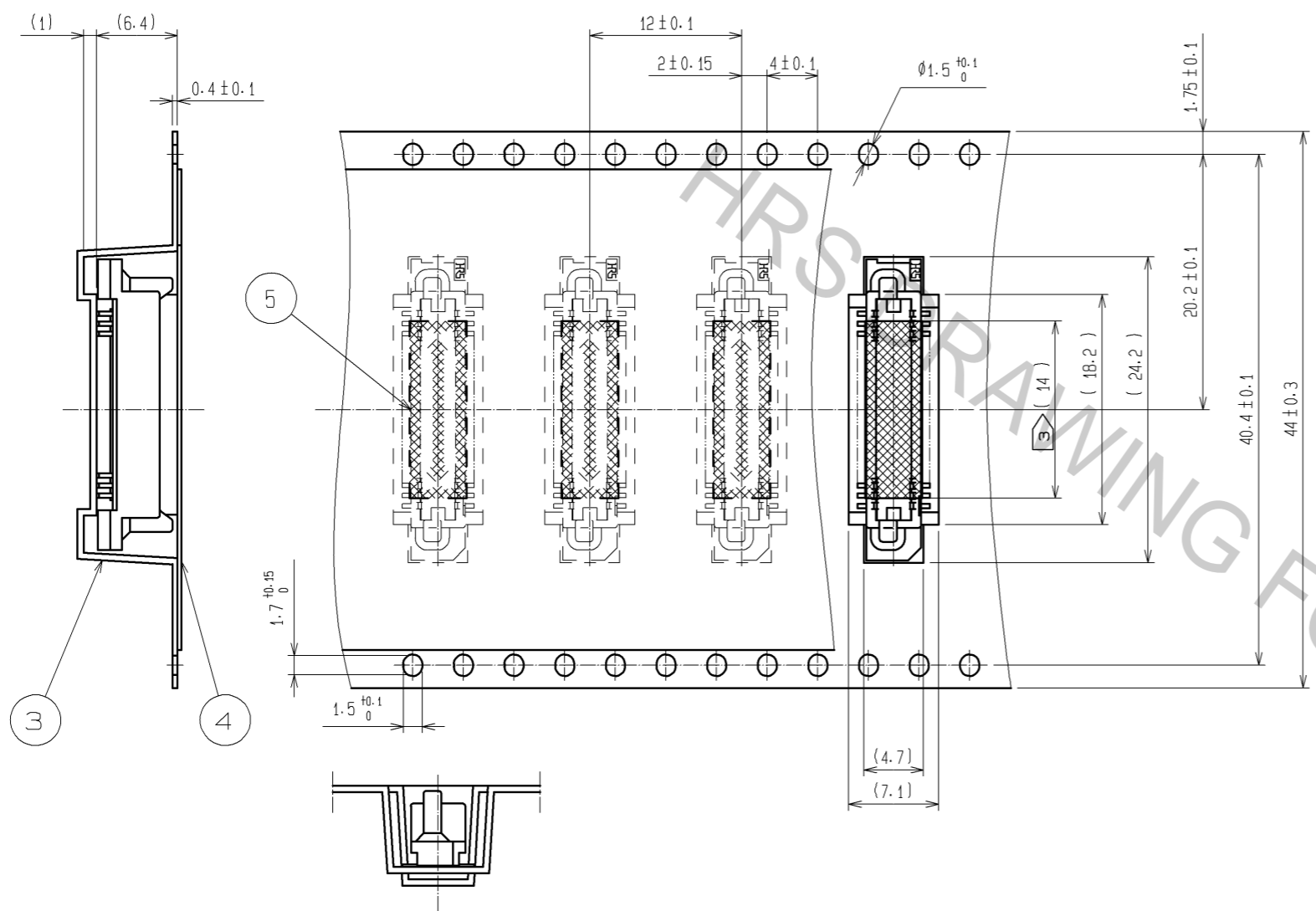
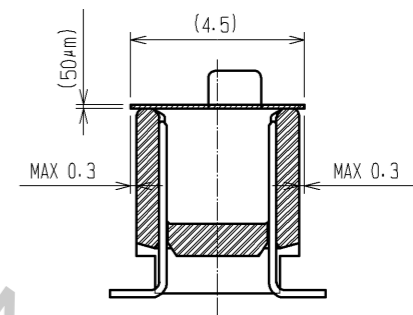
UNREELING DIRECTION



REEL DIMENSION (FREE)



DETAIL OF TAPE FOR VACUUM PICKUP (5:1)



- NOTE 1 1 REEL : 1000 CONNECTORS.
 2 THE DIMENSIONS IN PARENTHESES ARE FOR REFERENCE.
 3 REMOVE THE VACUUM PICKUP TAPE AFTER MOUNTING THE CONNECTOR.

HRS	DRAWING NO.	EDC3-084966-23
	PART NO.	FX6-40P-0.8SV1(93)
	CODE NO.	CL576-0023-6-93
		△ 2/2

Apr.1.2017 Copyright 2017 HIROSE ELECTRIC CO., LTD. All Rights Reserved.