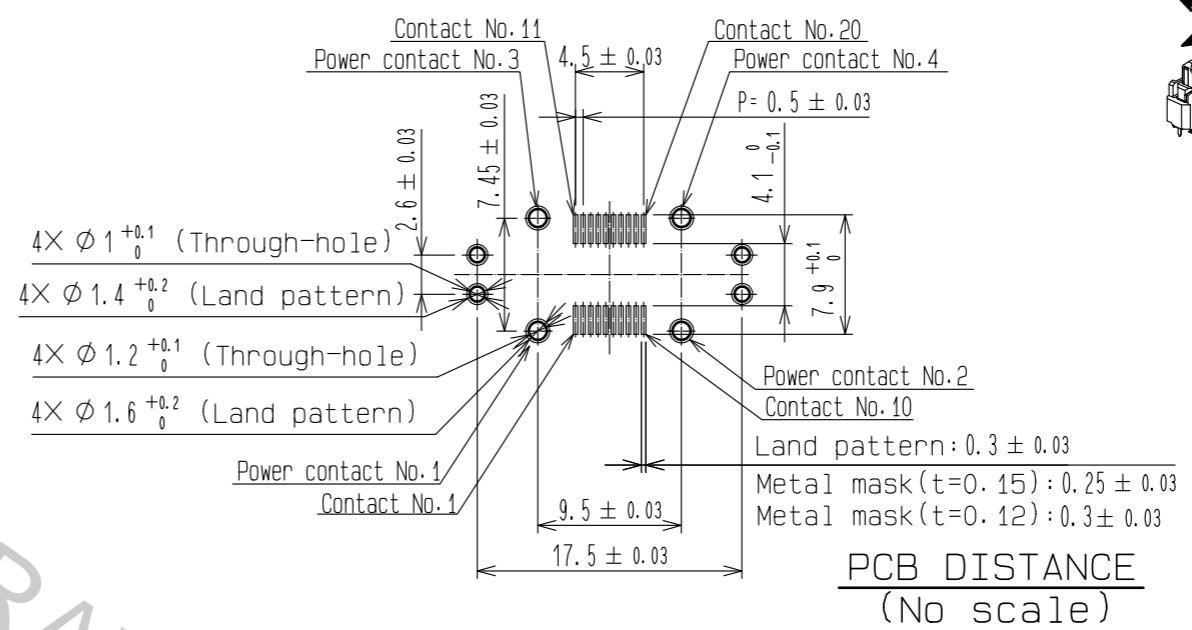
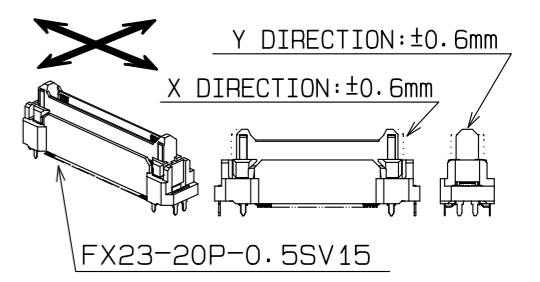
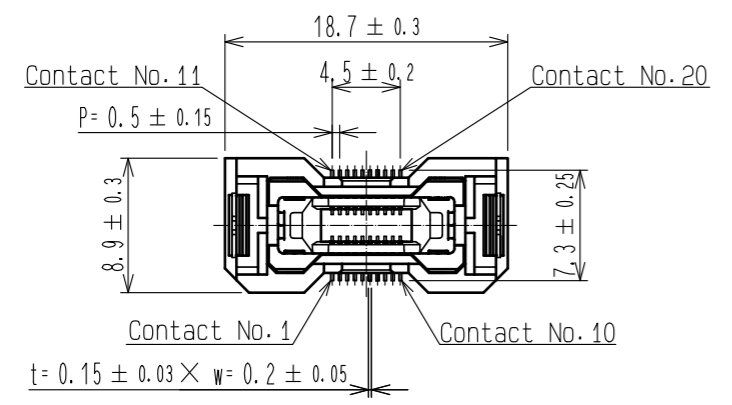


Apr.1.2017 Copyright 2017 HIROSE ELECTRIC CO., LTD. All Rights Reserved.

**RECOMMENDED LAND PATTERN DIMENSION OF PCB**  
(PCB THICKNESS:  $t=1.6\text{mm}$ )

**FLOATING RANGE**



FX23-20S-0.5SV10  
(Mating connector)

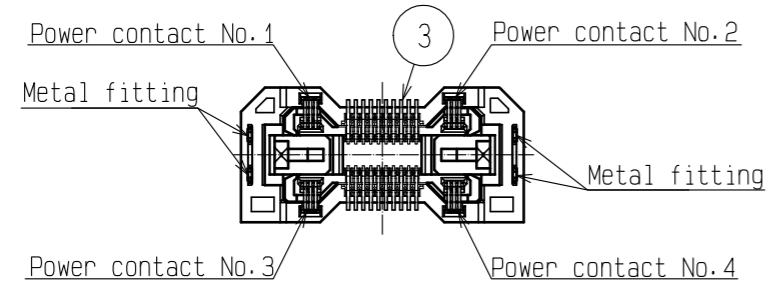
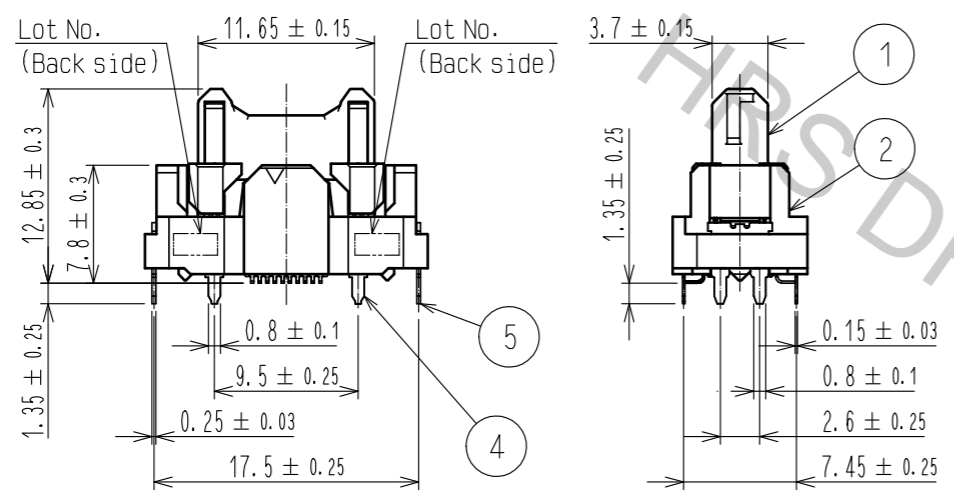
FX23-20S-0.5SV  
(Mating connector)

FX23-20P-0.5SV15

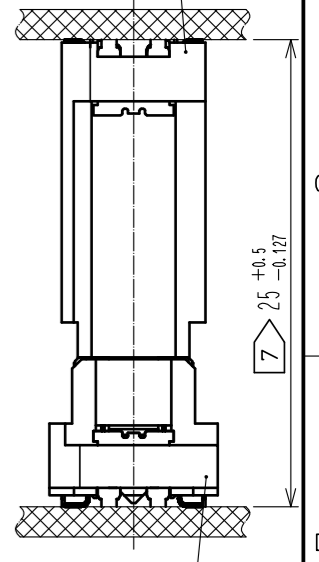
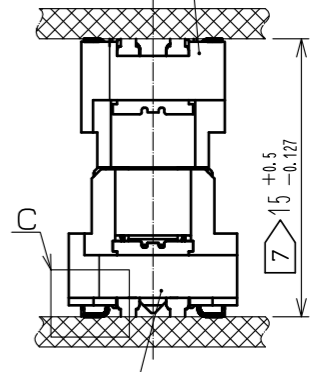
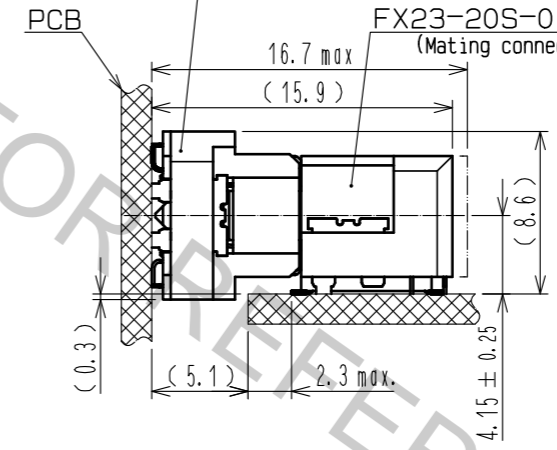
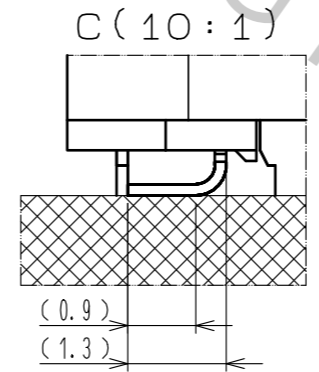
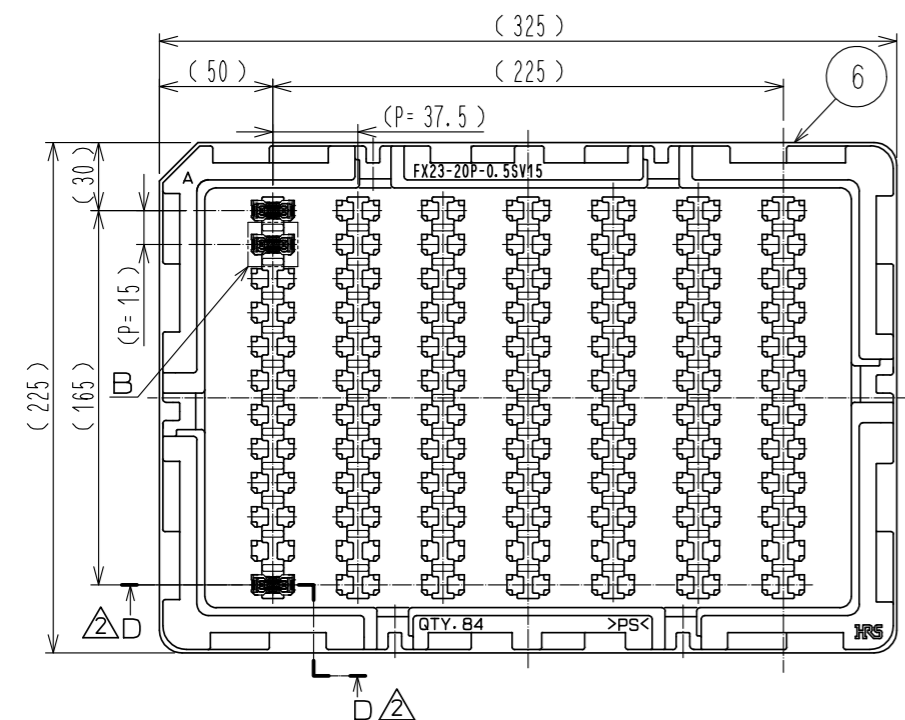
FX23-20S-0.5SH  
(Mating connector)

FX23-20P-0.5SV15

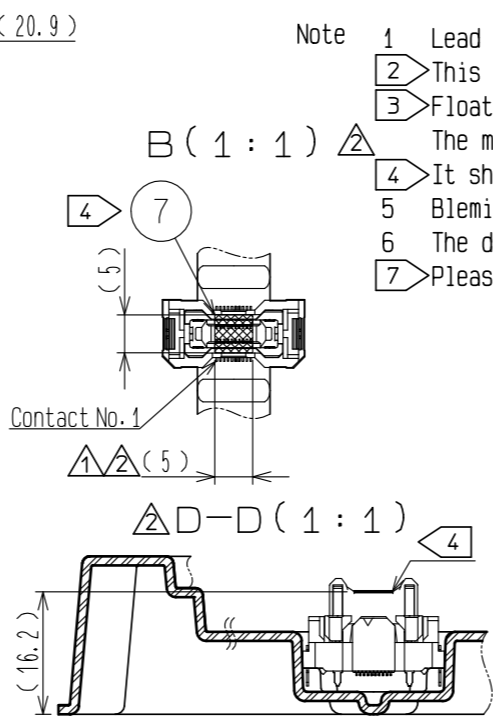
FX23-20P-0.5SV15



**DRAWING FOR PACKING (No scale)**



- Note
- Lead CO-Planarity is 0.1mm MAX.
  - This is packaged in tray. (84pcs/tray)
  - Floating range of this connector is ±0.6mm MAX.
  - The maximum cycle time of the floating operation is in accordance with the mating cycle of the connector.
  - It shows the vacuum pickup area. Remove the mylar tape before mating connectors.
  - Blemish and hit mark can be occurred through out the manufacturing process which doesn't affect quality level.
  - The dimensions in parentheses are for references.
  - Please use the connectors within the specified PCB distance.



NO.	MATERIAL	FINISH	REMARKS	NO.	MATERIAL	FINISH	REMARKS
3	COPPER ALLOY		CONTACT AREA:GOLD 0.1 μm LEAD AREA:GOLD 0.03 μm UNDER PLATING:NICKEL 1.3 μm	7	POLYIMIDE		(TAPE FOR VACUUM PICKUP)
2	POLYAMIDE		BLACK UL94V-0	6	POLYSTYRENE		(TRAY)
1	POLYAMIDE		BLACK UL94V-0	5	BRASS		LEAD AREA:TIN-PLATING 3 μm UNDER PLATING:NICKEL 1 μm
				4	COPPER ALLOY		CONTACT AREA:GOLD 0.1 μm LEAD AREA:TIN-PLATING 1 μm UNDER PLATING:NICKEL 1.3 μm

UNITS	SCALE	COUNT	DESCRIPTION OF REVISIONS	DESIGNED	CHECKED	DATE
mm	2 : 1	5	DIS-F-00000993	TS.00NO	KN.SHIBUYA	16.01.13

APPROVED	DESIGNED	DRAWING NO.
HS. OKAWA	TS.00NO	EDC-353537-00-00
CHECKED	DESIGNED	PART NO.
KN.SHIBUYA	TS.00NO	FX23-20P-0.5SV15
DESIGNED	DESIGNED	CODE NO.
TS.00NO	TS.00NO	CL573-3001-0-00
DRAWN	DESIGNED	
TS.00NO	TS.00NO	