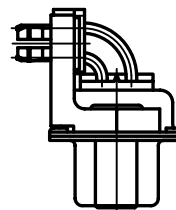
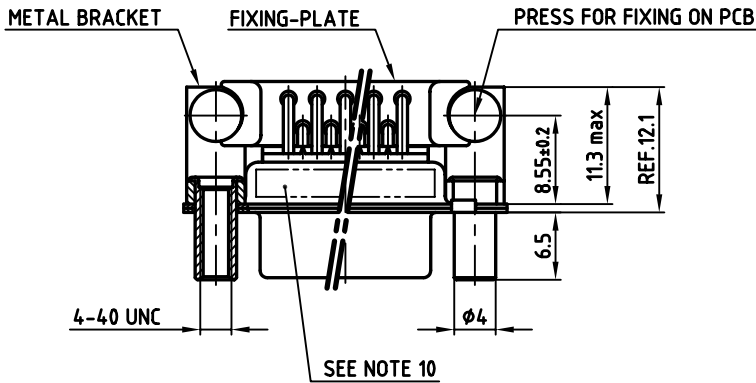
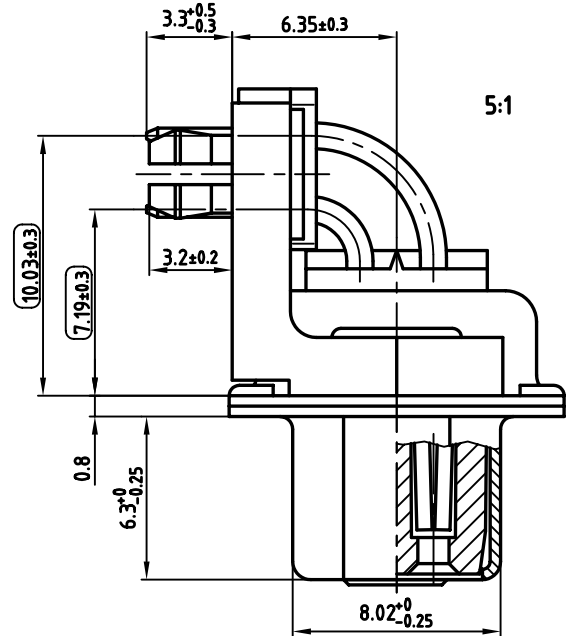
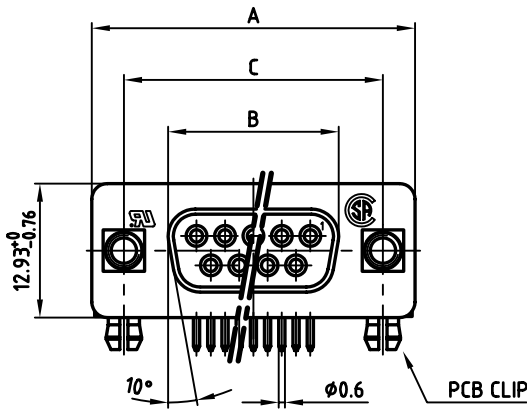


POS.	A <small>-0.76</small>	B <small>-0.25</small>	C	PART NO.
9	31.19	16.46	25.00 <small>+0.12 -0.13</small>	164A19039X
15	39.52	24.79	33.30 <small>+0.15 -0.1</small>	164A19049X
25	53.42	38.50	47.04 <small>±0.13</small>	164A19059X
37	69.70	54.96	63.50 <small>±0.13</small>	164A19069X

used for: D-SUB



NOTES:

- METAL SHELLS: STEEL; min. 320μ " TIN
- INSULATORS: PBT GF UL 94 V-0, BLACK
- CONTACTS: COPPER ALLOY
PLATING: 8μ " HARD GOLD OVER min. 50μ " NICKEL
- METAL BRACKET: DIE-CASTING; min. 320μ " TIN over 80μ " NICKEL
- THREADED LOCK: COPPER ALLOY; min. 200μ " TIN over 80μ " NICKEL
- PCB-SNAP: COPPER ALLOY; min. 200μ " TIN over 80μ " NICKEL
PCB-HOLE: $\phi 3.1 \pm 0.1$; PCB THICKNESS 1.6mm
- FIXING-PLATE: PBT GF UL 94 V-0, BLACK
- P.C.B. HOLE DRILLINGS ON SHEET 2
- MAXIMUM TORQUE VALUE FOR THREAD: 6" LBS
- CONNECTOR IS PART MARKED: PART-NO. CONEC ABC
- = CHECK DIMENSION



APPROVAL # FREIGABE # DEBLOCAGE # AUTORIZACION # APPROVAL	
CUSTOMER APPROVAL DATE:	
NAME:	TITLE:
COMPANY NAME:	
APPROVAL # FREIGABE # DEBLOCAGE # AUTORIZACION # APPROVAL	

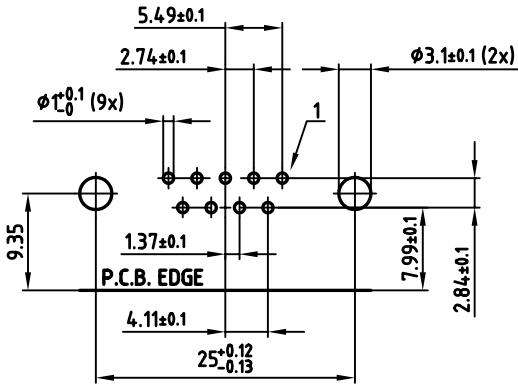
THIS DRAWING MAY NOT BE COPIED OR REPRODUCED IN ANY WAY, AND MAY NOT BE PASSED ON TO A THIRD PARTY, WITHOUT WRITTEN PERMISSION. OWNERSHIP AND COPYRIGHT OF CONEC GmbH DO NOT ALTER CAD DRAWING BY HAND

rev.	description	date	name
a	Origin		

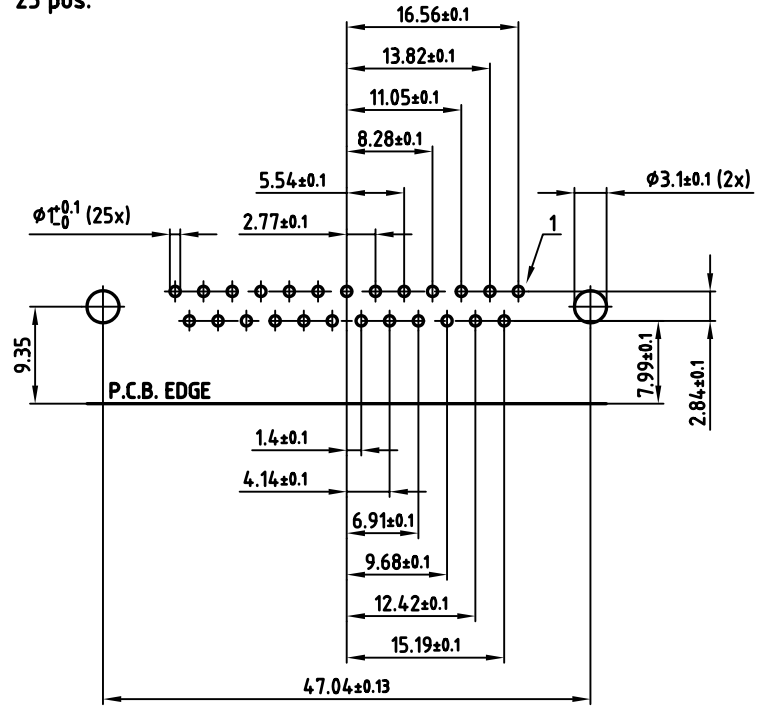
tolerance			scale:	2:1 (5:1)
			material:	SEE NOTES
2006	date	name	title: D-SUB FEMALE 90° 9-37pos. SOLDER PIN ANGLED threaded lock, metal bracket, fixing-plate, clip	
drawn	27.02.	Lehmenkühler		
appd.	27.02.	Mickenbecker		
norm	DIN 41652			
d-old			dwg no:	AutoCAD 2004
			DIN-A	
			3	
			sh:1/2	
			part no:	SEE TABLE



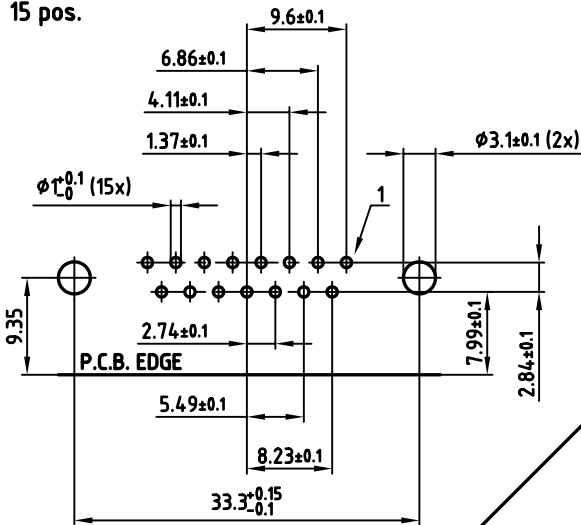
9 pos.



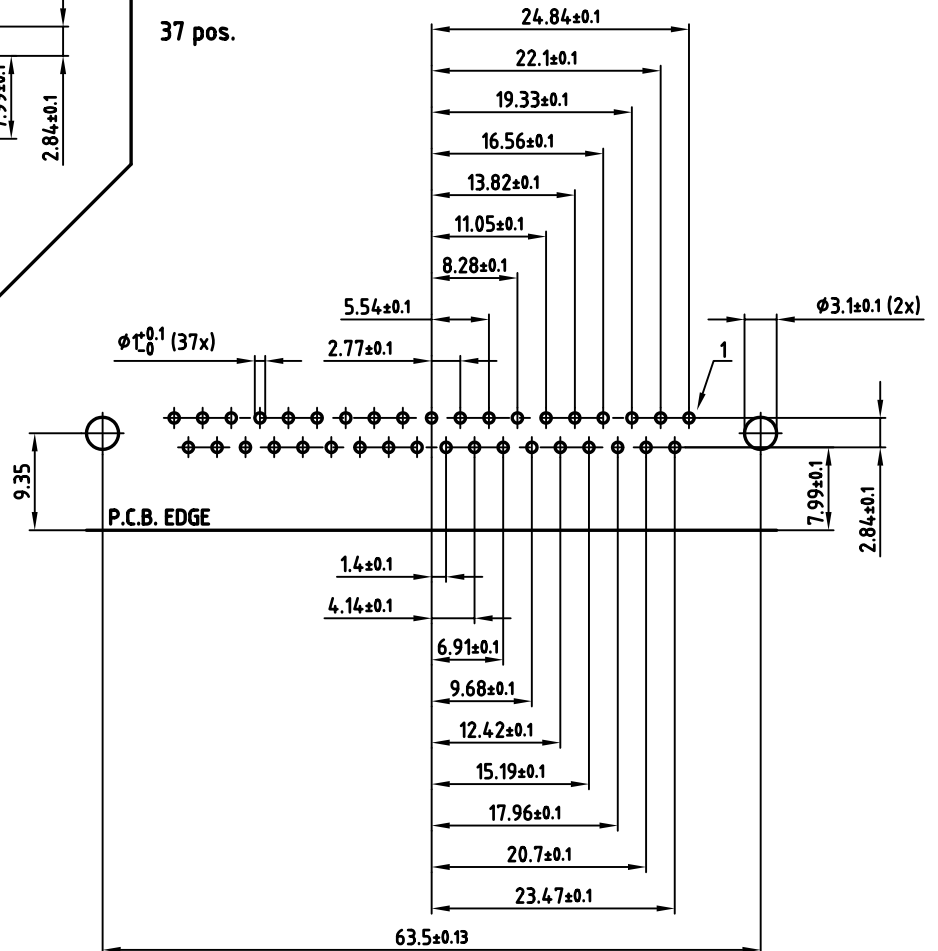
25 pos.



15 pos.



37 pos.



used for: D-SUB

APPROVAL # FREIGABE # DEBLOCAGE # AUTORIZACION # APPROVAL

CUSTOMER APPROVAL DATE:

NAME: TITLE:

COMPANY NAME:

APPROVAL # FREIGABE # DEBLOCAGE # AUTORIZACION # APPROVAL

THIS DRAWING MAY NOT BE COPIED OR REPRODUCED IN ANY WAY, AND MAY NOT BE PASSED ON TO A THIRD PARTY, WITHOUT WRITTEN PERMISSION. OWNERSHIP AND COPYRIGHT OF CONEC GmbH DO NOT ALTER CAD DRAWING BY HAND

rev.	description	date	name
a	Origin		

tolerance		scale:	2:1
	dim. in mm	material:	SEE SHEET 1
2006	date	name	
drawn	27.02.	Lehnenkühler	
appd.	27.02.	Mickenbecker	
norm	DIN 41652		
d-old			

title: P.C.B. HOLE DRILLINGS
D-SUB FEMALE 90° 9-37pos. ANGLED
threaded lock, metal bracket, fixing-plate, clip

dwg no: AutoCAD 2004 DIN-A
16K2A1011 3 sh:2/2

part no: SEE SHEET 1