

pushPIN™ Heat Sink Attachments

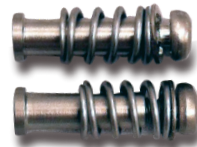
ATTACHMENT OPTIONS FOR ATS PUSHPIN™ HEATSINKS



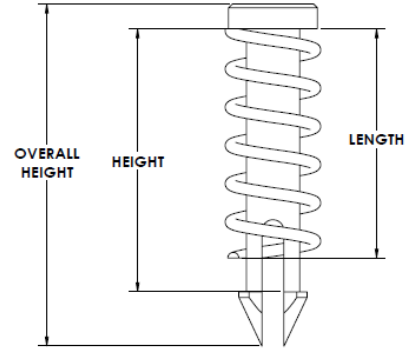
Push Pins



Push Pin Spring Kits



Hardware Kits



Individual Push Pins

Part #	Description	Dimensions			
		HEIGHT (mm)	OVERALL HEIGHT (mm)	WEIGHT (gr)	BOARD HOLE SIZE (mm)
ATS-PP-01	Brass Push Pin, 9mm	9.0	10.27	.86	3.175
ATS-PP-02	Brass Push Pin, 10mm	10.0	11.27	0.91	3.175
ATS-PP-03	Brass Push Pin, 11mm	11.0	12.27	0.97	3.175
ATS-PP-04	Brass Push Pin, 12mm	12.0	13.27	1.02	3.175
ATS-PP-05	Brass Push Pin, 13mm	13.0	14.27	1.07	3.175
ATS-PP-06	Brass Push Pin, 14mm	14.0	15.27	1.12	3.175
ATS-PP-08	Brass Push Pin, 18mm	18.0	19.27	1.37	3.175
ATS-PP-09	Brass Push Pin, 20mm	20.3	21.57	1.45	3.175

Individual Push Pin Spring Kits

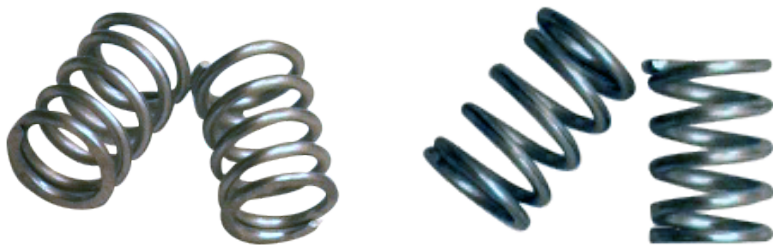
PART #	DESCRIPTION	LENGTH (mm)	HEIGHT (mm)	OVERALL HEIGHT (mm)	FORCE (lb/mm)	BOARD HOLE SIZE (mm)	QUANTITY PER HEAT SINK	MATERIAL
ATS-HK127-R0	PLASTIC PIN AND SPRING ASMBLY	7.3	10.3	13.3	.472	3.00	1	PLASTIC
ATS-HK91-R0	BRASS PIN AND SPRING ASMBLY	12.7	15.06	17.9	.400	3.00	1	BRASS

Individual Hardware Kits

PART #	DESCRIPTION	LENGTH (mm)	HEIGHT (mm)	OVERALL HEIGHT (mm)	FORCE (lb/mm)	BOARD HOLE SIZE (mm)	QUANTITY PER HEAT SINK	MATERIAL
ATS-HK76-R0	PEM, SPRING AND SCREWS, QTY 2/EA	7.95	11.5	13.95	.960	3.00	1	SS

Individual Springs

Part #	Description	OD (mm)	WD (mm)	ID (mm)	FL (mm)	SL (mm)	Force (lb/mm)	Material	Finish
ATS-PPS-01	MUSIC WIRE COIL SPRING, QTY 1	4.57	0.46	3.66	11.18	3.05	0.315	Music Wire	Zinc Plate
ATS-PPS-02	STAINLESS STEEL COIL SPRING, QTY 1	4.57	0.46	3.66	11.18	3.05	0.264	SS Type 302	Passivate per ASTM A967
ATS-PPS-03	MUSIC WIRE COIL SPRING, QTY 1	4.57	0.56	3.45	9.53	3.66	0.787	Music Wire	Zinc Plate
ATS-PPS-04	MUSIC WIRE COIL SPRING, QTY 1	4.75	0.51	3.73	11.13	3.51	0.424	Music Wire	Zinc Plate
ATS-PPS-05	STAINLESS STEEL COIL SPRING, QTY 1	4.75	0.51	3.73	14.3	4.29	0.269	SS Type 302	Passivate per ASTM A967
ATS-PPS-06	MUSIC WIRE COIL SPRING, QTY 1	4.57	0.56	3.45	6.35	2.82	1.181	Music Wire	Zinc Plate
ATS-PPS-07	MUSIC WIRE COIL SPRING, QTY 1	4.57	0.61	3.35	12.7	5.61	0.748	Music Wire	Zinc Plate
ATS-PPS-08	STAINLESS STEEL COIL SPRING, QTY 1	5.54	0.71	4.11	7.95	3.84	1.355	SS Type 302	Passivate per ASTM A967
ATS-PPS-09	MUSIC WIRE COIL SPRING, QTY 1	5.33	0.56	4.42	11.13	2.72	0.232	Music Wire	Zinc Plate
ATS-PPS-10	MUSIC WIRE COIL SPRING, QTY 1	5.33	0.56	4.22	19.05	6.25	0.224	Music Wire	Zinc Plate
ATS-PPS-11	MUSIC WIRE COIL SPRING, QTY 1	5.33	0.66	4.22	17.48	5.82	0.248	Music Wire	Zinc Plate
ATS-PPS-12	MUSIC WIRE COIL SPRING, QTY 1	5.33	0.56	4.01	15.88	6.88	0.512	Music Wire	Zinc Plate
ATS-PPS-13	MUSIC WIRE COIL SPRING, QTY 1	5.54	0.71	4.11	14.3	6.15	0.824	Music Wire	Zinc Plate
ATS-PPS-14	STAINLESS STEEL COIL SPRING, QTY 1	6.10	0.81	4.47	7.95	4.09	2.031	SS Type 302	Passivate per ASTM A967
ATS-PPS-15	STAINLESS STEEL COIL SPRING, QTY 1	6.35	0.51	5.33	11.13	2.64	0.211	SS Type 302	Passivate per ASTM A967
ATS-PPS-16	MUSIC WIRE COIL SPRING, QTY 1	6.10	0.81	4.47	9.65	4.27	1.969	Music Wire	Zinc Plate
ATS-PPS-17	MUSIC WIRE COIL SPRING, QTY 1	6.10	1.02	4.06	12.7	7.98	3.307	Music Wire	Zinc Plate
ATS-PPS-18	MUSIC WIRE COIL SPRING, QTY 1	6.10	0.74	4.62	12.7	5.33	0.933	Music Wire	Zinc Plate
ATS-PPS-19	MUSIC WIRE COIL SPRING, QTY 1	6.10	0.81	4.47	11.13	5.11	1.693	Music Wire	Zinc Plate
ATS-PPS-20	MUSIC WIRE COIL SPRING, QTY 1	6.10	0.89	4.32	7.95	4.88	3.543	Music Wire	Zinc Plate
ATS-PPS-21	MUSIC WIRE COIL SPRING, QTY 1	6.35	0.66	4.78	11.18	3.63	0.778	Music Wire	Zinc Plate



NOTES:

OD = Outside Diameter
 WD = Wire Diameter
 ID = Inside Diameter
 FL = Free Length
 SL = Solid Length