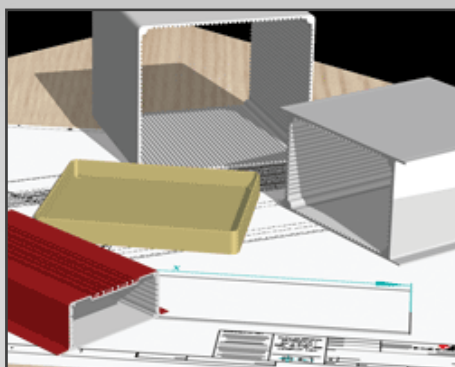


Custom Build-A-Box[®]

(0701, 0702, 0703, 0705, 0706, 0707, 0710, 0711)

Extrusion-based Enclosure System



For Value-Added Services, Product Support, or to Order

Call 1-301-696-9800



- Aluminum electronic enclosure for telecommunication and Measurement Control technology
- Value-added services available—profile cutting, machining, painting, powdercoating, screenprinting, assembly
- Screw-down fins integrated into sides
- Different lid versions depending on enclosure type
- Integrated guide grooves for PCBs

Technical data

Material

DIN EN 573 EN AW-AMgSi

Ingress protection

IP 65 or IP 40 to EN 60529
depending on lid versions

Lids

Plate aluminum—painted jet black or unpainted
Diecast aluminum—painted jet black or unpainted

Color

Lids—RAL 9005, jet black (see note above)
Extrusion—bare aluminum (custom painting on request)

Temperature range





-30°C to +80°C

Note

Aluminum Extrusions are sold in meter lengths, which allows for custom sizing

Custom Build-A-Box® (0701, 0702, 0703, 0710, 0711)

Program Range

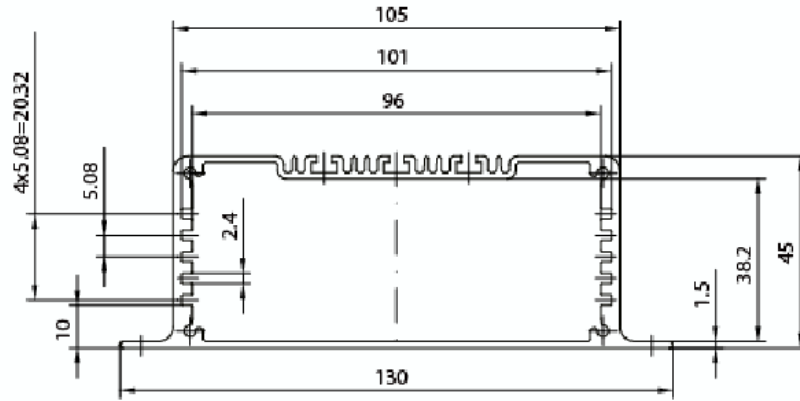
Type	External enclosure dimensions* W x H (mm)	Available Lid Types (not included)	Ingress protection	max. width (mm) PCB dimensions
07.01 	105 x 45	Sheet aluminum lids without seal	IP 40	100
07.02 	105 x 69	Sheet aluminum lids without seal	IP 40	100
07.03 	196/166 x 106 196/166 x 106	Cast aluminum lids with seal Sheet aluminum lid without seal	IP 65 IP 40	100/160 100/160
07.10 	105 x 73.5	Cast aluminum lid with seal	IP 65	100
07.11 	105 x 49	Cast aluminum lids with seal	IP 65	100

* Dimensions without mounting brackets

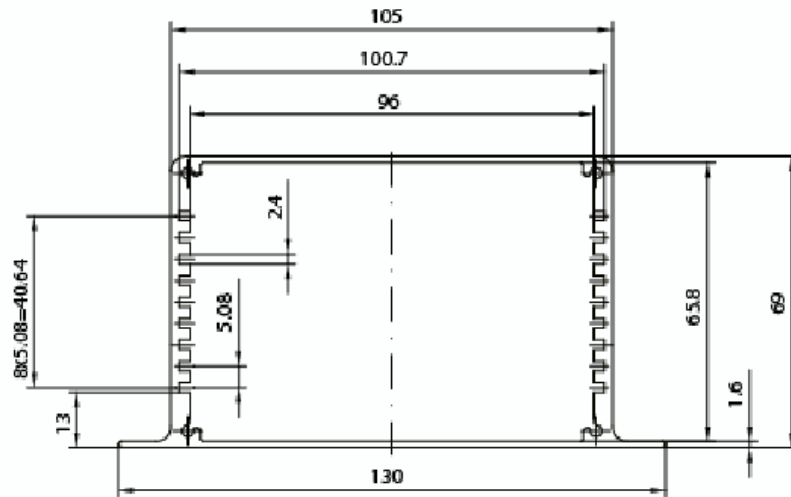
Dimensions

Version IP 40

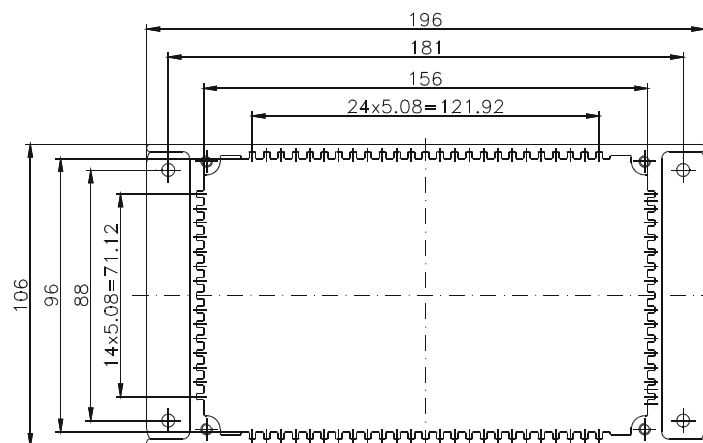
Type 07.01



Type 07.02



Type 07.03

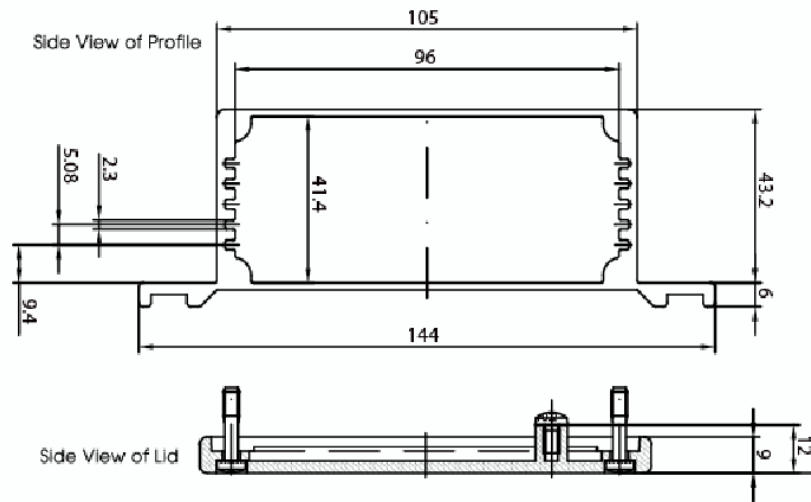


Custom Build-A-Box® (0701, 0702, 0703, 0710, 0711)

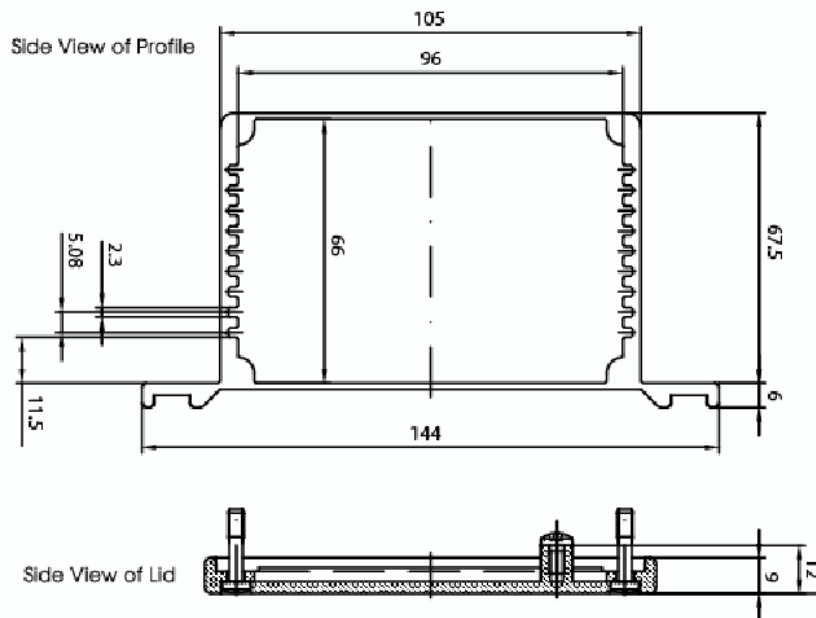
Dimensions

Version IP 65

Type 07.11



Type 07.10





- Aluminum electronic enclosures for Measurement and Control technology and automation
- Value-added services available—profile cutting, machining, painting, powder-coating, screen-printing, assembly
- Integrated guide grooves for PCBs

Note

Aluminum Extrusions are sold in meter lengths, which allows for custom sizing.

Technical data

Material

DIN EN 573 EN AW-AMgSi

Ingress protection

IP 65 or IP 40 to EN 60529
depending on lid version

Painting

Painting and powdercoating available on request.

Color



enclosure profile: bare aluminum
enclosure lid: bare aluminum

Temperature range

-40°C to +80°C
cover: -20°C to +60°C

Custom Build-A-Box® (0705, 0706, 0707)

Program Range

Type	External enclosure dimensions* W x H (mm)	Available Lid Combinations (Lids Not Included—Order Separately)	Ingress protection	max. W (mm) PCB dimensions
07.05 	104.5 x 84.5	2 sheet aluminum lids without seal	IP 40	80/100
	104.5 x 84.5	Sheet aluminum lid and sheet aluminum mounting rear panel without seal	IP 40	80/100
	111.5 x 91.5	2 cast aluminum flat lids with seal	IP 65	80/100
	111.5 x 91.5	Cast aluminum flat lid and cast aluminum mounting rear panel with seal	IP 65	80/100
	111.5 x 91.5	2 cast aluminum protective collar lids with seal	IP 65	80/100
	111.5 x 91.5	1 cast aluminum protective collar lid and 1 cast aluminum flat lid with seal	IP 65	80/100
07.06 	111.5 x 91.5	Cast alum. protective collar lid and cast alum. mounting rear panel with seal	IP 65	80/100
	165 x 105	2 sheet aluminum lids without seal	IP 40	100/160
	165 x 105	Sheet aluminum lid and sheet aluminum mounting rear panel without seal	IP 40	100/160
	172 x 112	2 cast aluminum flat lids with seal	IP 65	100/160
	172 x 112	Cast aluminum flat lid and cast aluminum mounting rear panel with seal	IP 65	100/160
	172 x 112	2 cast aluminum protective collar lids with seal	IP 65	100/100
	172 x 112	1 cast aluminum protective collar lid and 1 cast aluminum flat lid with seal	IP 65	100/160
	172 x 112	Cast alum. protective collar lid and cast alum. mounting rear panel with seal	IP 65	100/160
	173 x 113	1 cast aluminum front plate lid and 1 cast aluminum flat lid with seal	IP 65	100/160
	173 x 113	Cast aluminum front plate lid and cast alum. mounting rear panel with seal	IP 65	100/160
	173 x 113	Transparent cover, cast aluminum front plate lid and cast aluminum flat lid	IP 65	100/160
07.07 	173 x 133	Transparent cover, cast alum. front plate lid and cast alum. mounting rear panel	IP 65	100/160
	196 x 166.5	2 sheet aluminum lids without seal	IP 40	160/189
	196 x 166.5	Sheet aluminum lid and sheet aluminum mounting rear panel without seal	IP 40	160/189
	203 x 166.5	2 cast aluminum flat lids with seal	IP 65	160/189
	203 x 166.5	Cast aluminum flat lid and cast aluminum mounting rear panel with seal	IP 65	160/189
	203 x 166.5	2 cast aluminum protective collar lids with seal	IP 65	160/189
	203 x 166.5	1 cast aluminum protective collar lid and 1 cast aluminum flat lid with seal	IP 65	160/189
	203 x 166.5	Cast alum. protective collar lid and cast alum. mounting rear panel with seal	IP 65	160/189
	204 x 166.5	1 cast aluminum front plate lid and 1 cast aluminum flat lid with seal	IP 65	160/189
	204 x 166.5	Cast alum. front plate lid and cast alum. mounting rear panel with seal	IP 65	160/189
204 x 166.5	Transparent cover, cast aluminum front plate lid and cast aluminum flat lid	IP 65	160/189	
204 x 166.5	Transparent cover, cast alum. front plate lid and cast alum. mounting rear panel	IP 65	160/189	

* Dimensions without mounting brackets

Accessories must be ordered separately—Call Factory 301-696-9800

Transparent cover for protective collar lid with knurled lock for 07.06

Transparent cover for front plate lid for 07.06

Transparent cover for front plate lid for 07.07

Table feet (set, self adhesive, black)

Mounting feet (2 pcs.), gray

IP 40 Versions (Available lid combinations shown for reference only. Call Factory for information 301-696-9800)



Version with two sheet aluminum lids

Type
07.05
07.06
07.07



Version with sheet aluminum lid and cast aluminum mounting rear panel

Type
07.05
07.06
07.07

IP 65 Version (Available lid combinations shown for reference only. Call Factory for information 301-696-9800)



Version with two cast aluminum flat lids (with seal)

Type
07.05
07.06
07.07



Version with cast aluminum front plate lid and cast aluminum flat lid (with seal)

Type
07.06
07.07



Version with cast aluminum protective collar lid and cast aluminum flat lid (with seal)

Type
07.05
07.06
07.07

Custom Build-A-Box® (0705, 0706, 0707)

IP 65 Versions (Available lid combinations shown. Call Factory for more information 301-696-9800)



Version with transparent cover, cast aluminum front plate lid and cast aluminum flat lid (with seal)

Type
07.06
07.07



Version with two aluminum protective collar lids (with seal)

Type
07.05
07.06
07.07



Version with cast aluminum flat lid and cast aluminum mounting rear panel (with seal)

Type
07.05
07.06
07.07



Version with cast aluminum front plate lid and cast aluminum mounting rear panel (with seal)

Type
07.06
07.07



Version with cast aluminum protective collar lid and cast aluminum mounting rear panel (with seal)

Type
07.05
07.06
07.07

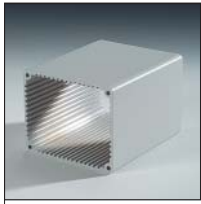


Version with transparent cover, cast aluminum front panel lid and cast aluminum mounting rear panel (with seal)

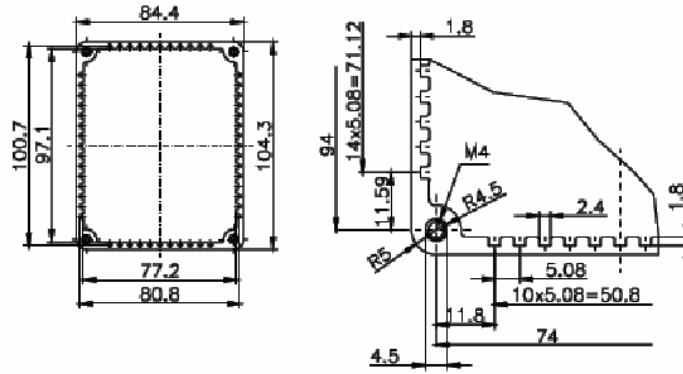
Type
07.06
07.07

Custom Build-A-Box® (0705, 0706, 0707)

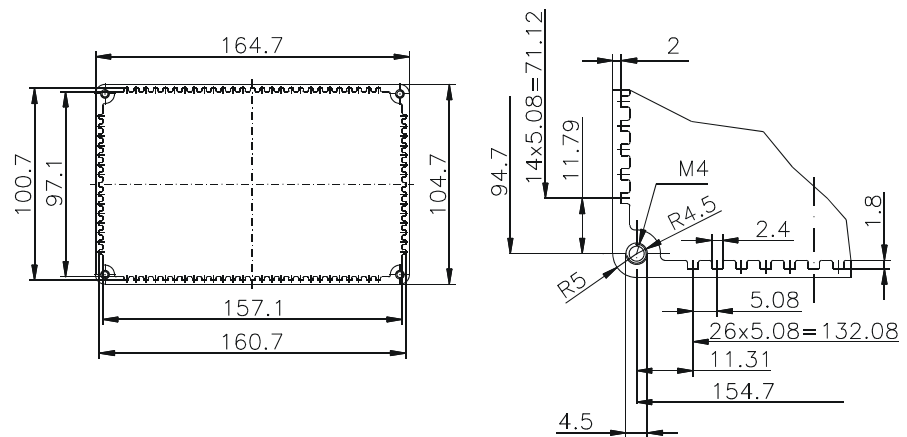
Dimensions



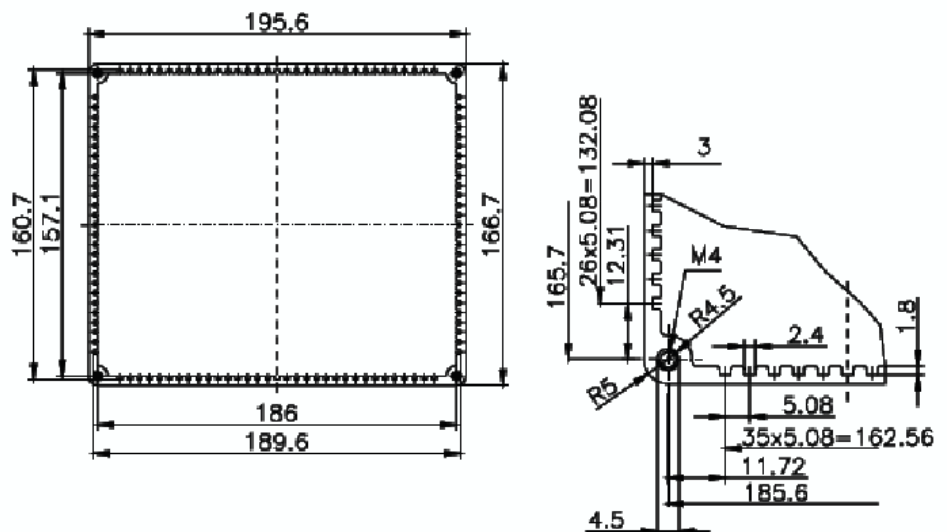
Type 07.05



Type 07.06



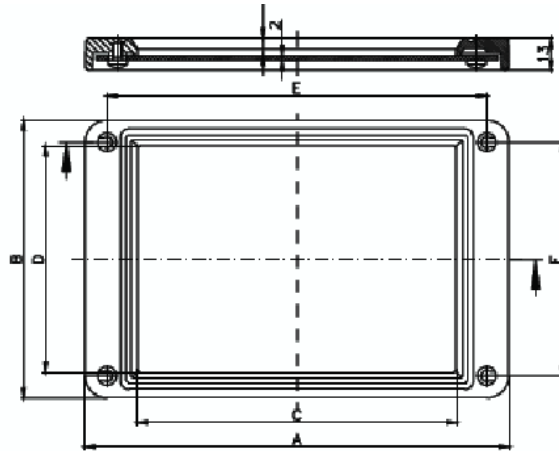
Type 07.07



Dimensions



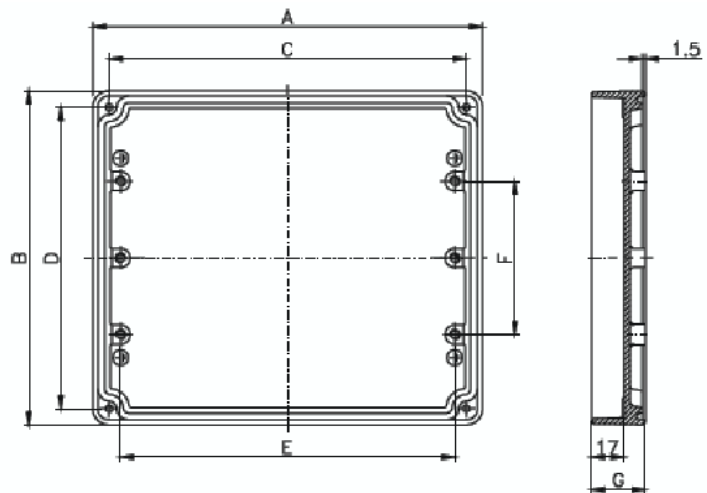
Cast aluminum front plate lid



Type	A	B	C	D	E	F
07.06	173	113	130	92	155	95
07.07	204	175	161	154	186	157



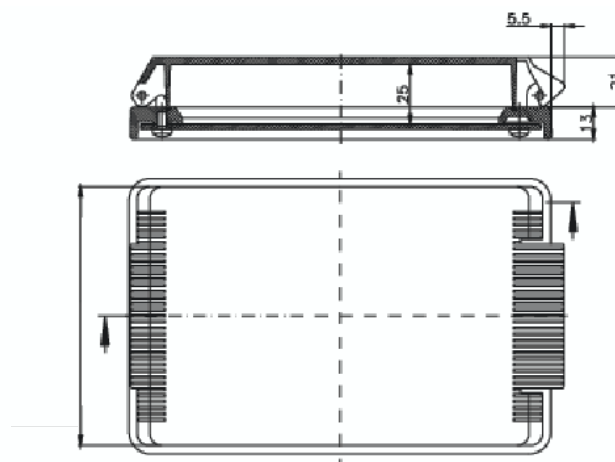
Cast aluminum protective collar lid



Type	A	B	C	D	E	F	G
07.05	112	92	94	74	85	-	26
07.06	172,5	112,5	155	95	145	-	26
07.07	203	174	155	157	174	80	28



Cast aluminum front plate lid with transparent cover

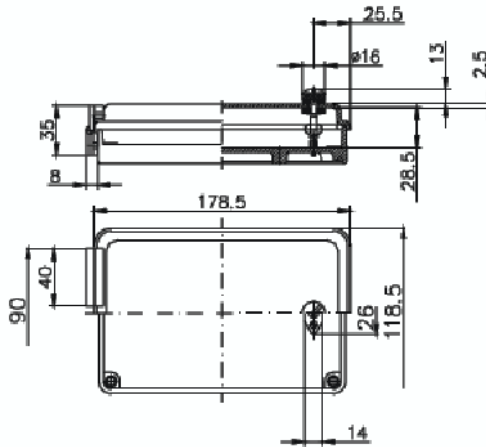


Custom Build-A-Box® (0705, 0706, 0707)

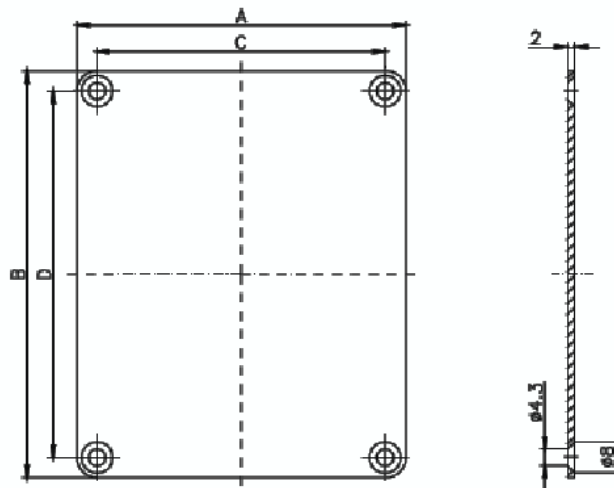
Dimensions



Transparent cover for cast aluminum protective collar lid



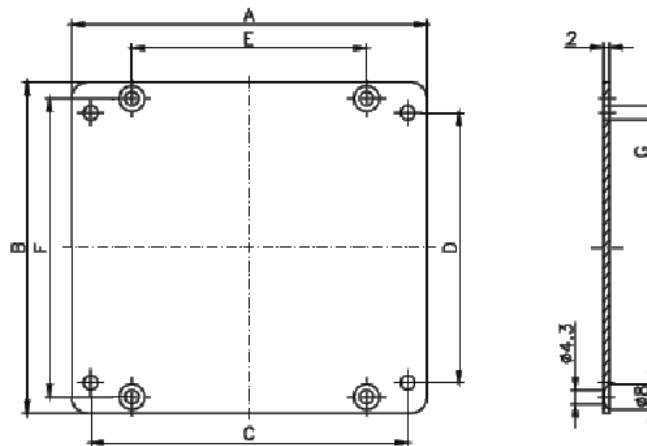
Sheet aluminum lid



Type	A	B	C	D
07.05	85	105	74	94
07.06	105	165	95	155
07.07	167	196	157	186



Sheet aluminum mounting rear panel

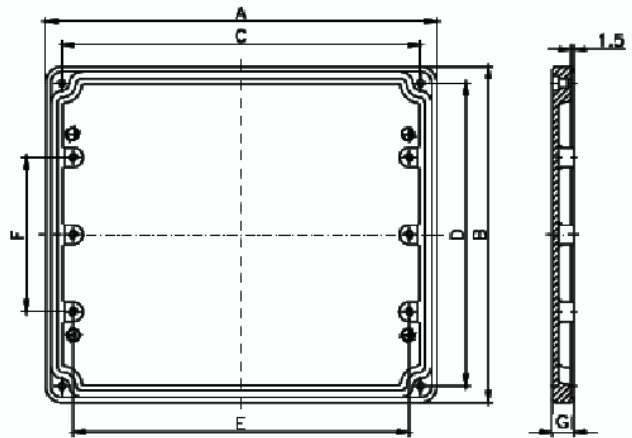


Type	A	B	C	D	E	F	G
07.05	105	112	94	74	85	100	4,5
07.06	135	165	155	95	140	120	5,5
07.07	196	196	186	157	165	182	5,5

Dimensions



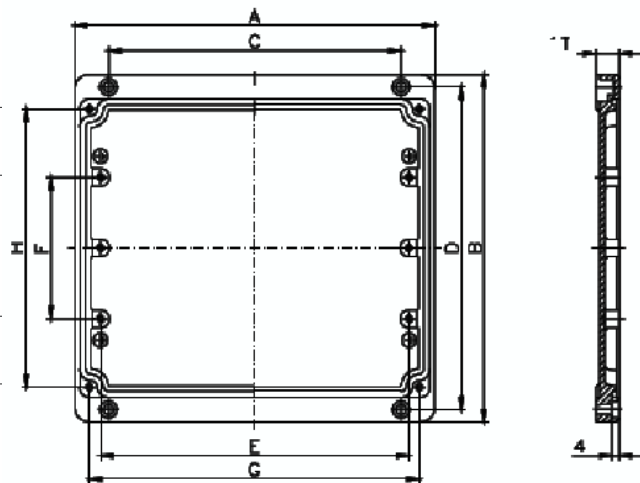
Cast aluminum flat lid



Type	A	B	C	D	E	F	G
07.05	112	92	94	74	85	-	9
07.06	172,5	112,5	155	95	145	-	9
07.07	203	174	186	157	174	80	11



Cast aluminum mounting rear panel



Type	A	B	C	D	E	F	G	H	I
07.05	112	112	85	100	85	-	94	74	11
07.06	172,5	135	140	120	145	-	155	95	11
07.07	203	196	165	182	174	80	186	157	13