

DO NOT SCALE FROM THIS PRINT

NOTES:

1. Ⓢ REPRESENTS A CRITICAL DIMENSION.
2. BURR ALLOWANCE: .0015[.038] MAX.
3. LATCH RETENTION FORCE: 1.000LB[4.45N]
4. POSITIONS 2 THRU 5 TO BE BULK PACKAGED, ALL OTHER POSITIONS TO BE TUBED

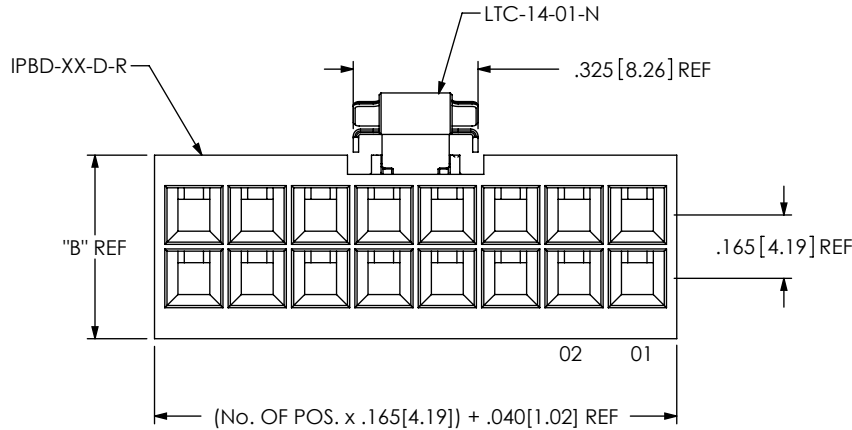
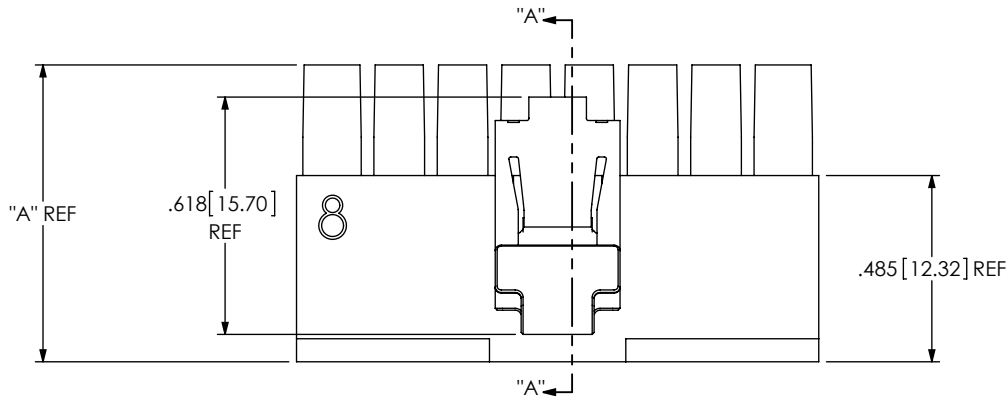


FIG 1  
(IPBD-08-D-M SHOWN)

IPBD-XX-X-X-X

\*\*No OF POSITIONS  
-02 THRU -15 (PER ROW)

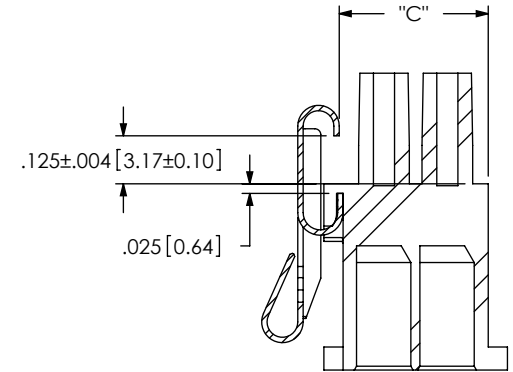
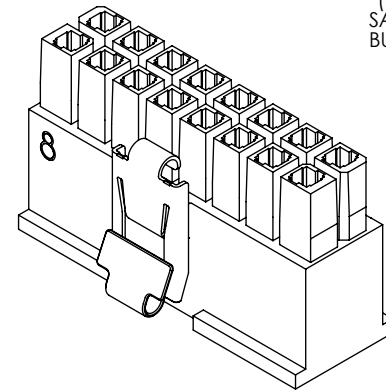
ROW SPECIFICATION  
-S: SINGLE  
-D: DOUBLE

LATCH OPTION  
-M: METAL LATCH (SEE FIG 1)  
(LEAVE BLANK FOR PLASTIC LATCH, SEE FIG 4, SHT 2)

OPTION  
\*-K: KEYED POLARIZATION  
(SEE FIG 3, SHT 2)

\*(LEAVE BLANK FOR NO POLARIZATION. SAMTEC WILL ONLY SUPPORT EXISTING BUSINESS AS OF REV C)

(\*\* = -11 THRU -15 POSITIONS AVAILABLE ON -D ONLY)



SECTION "A"-"A"

TABLE 1

ROW SPECS	"A"	"B"	"C"	"D"	"E"
-S	.770 [19.56]	.313 [7.95]	.223 <sup>+0.012</sup> <sub>-.008</sub> [5.66 <sup>+0.30</sup> <sub>-0.20</sub> ]	.223 [5.66]	.413 [10.49]
-D	.773 [19.63]	.478 [12.14]	.388±.008 [9.86±.020]	.388 [9.86]	.578 [14.68]

UNLESS OTHERWISE SPECIFIED, DIMENSIONS ARE IN INCHES. TOLERANCES ARE:  
DECIMALS ANGLES  
.XX: ±.01 [.3] 2°  
.XXX: ±.005 [.13]  
.XXXX: ±.0020 [.051]

PROPRIETARY NOTE  
THIS DOCUMENT CONTAINS INFORMATION CONFIDENTIAL AND PROPRIETARY TO SAMTEC, INC. AND SHALL NOT BE REPRODUCED OR TRANSFERRED TO OTHER DOCUMENTS OR DISCLOSED TO OTHERS OR USED FOR ANY PURPOSE OTHER THAN THAT WHICH IT WAS OBTAINED WITHOUT THE EXPRESSED WRITTEN CONSENT OF SAMTEC, INC.



520 PARK EAST BLVD, NEW ALBANY, IN 47150  
PHONE: 812-944-6733 FAX: 812-948-5047  
e-Mail: info@SAMTEC.com code: 55322

MATERIAL: DO NOT SCALE DRAWING SHEET SCALE: 2:1  
INSULATOR: PBT, UL 94 V0  
LATCH: NICKEL-PLATED BeCu

DESCRIPTION:  
.165[4.19] DISCRETE WIRE INSULATOR & LATCH ASM

DWG. NO. IPBD-XX-X-X-X

BY: T NEWTON 03/20/2008 SHEET 1 OF 2

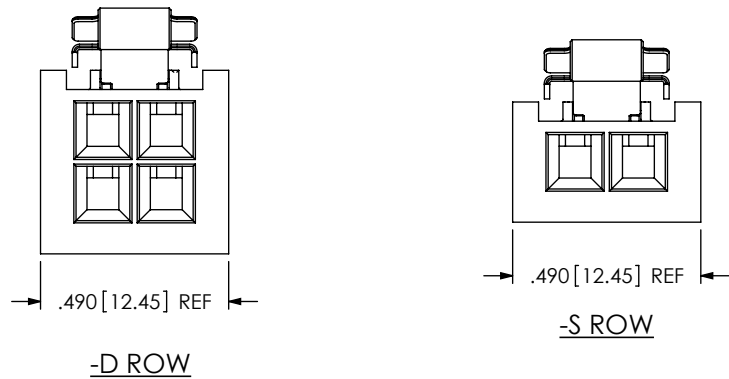


FIG 2  
(IPBD-02-X-M SHOWN)  
(SAME AS FIG 1, DIFFERENT AS SHOWN)

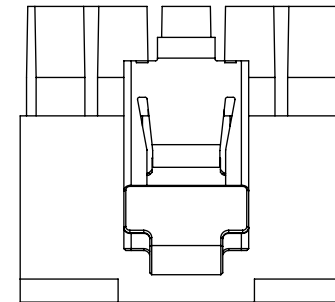
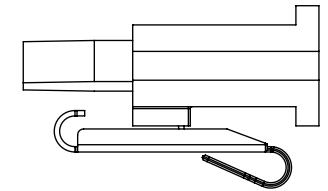
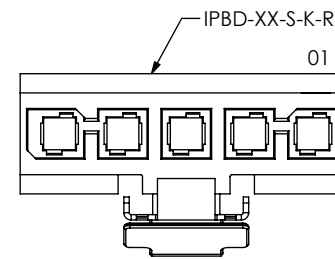


FIG 3  
(IPBD-05-S-K-M SHOWN)  
(SAME AS FIG 1, DIFFERENT AS SHOWN)

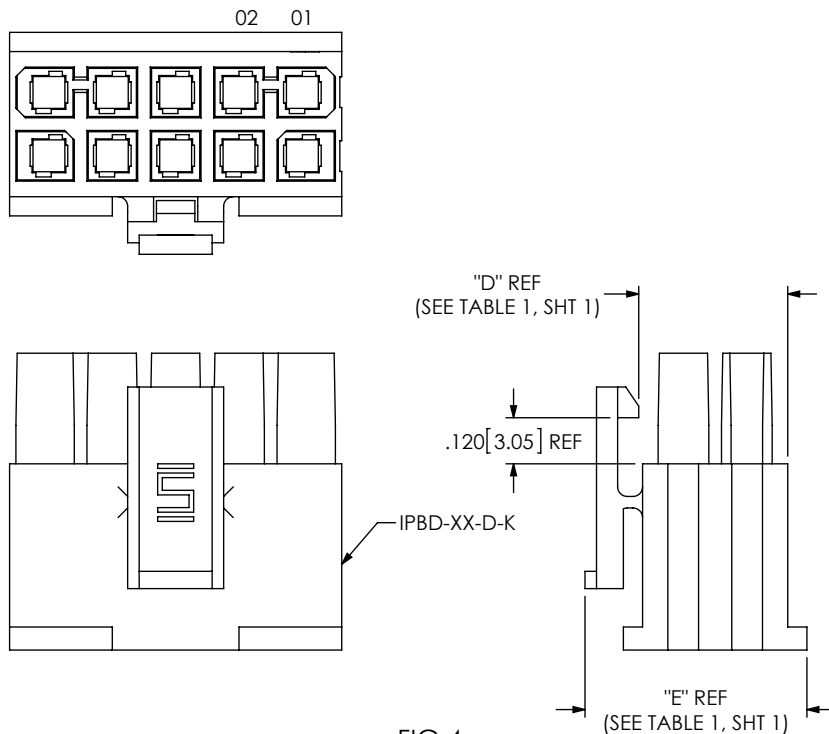
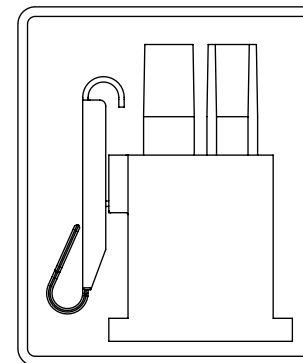
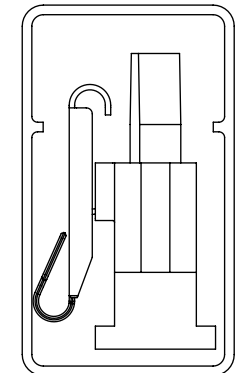


FIG 4  
(IPBD-05-D-K SHOWN)  
(SAME AS FIG 1, DIFFERENT AS SHOWN)



-D ROW  
TUBE: PT-1-24-03-56  
PLUG: TP-04



-S ROW  
TUBE: PT-1-24-02-74  
PLUG: TP-04

PACKAGING VIEW  
(SEE NOTE 4)

**PROPRIETARY NOTE**  
THIS DOCUMENT CONTAINS INFORMATION CONFIDENTIAL AND PROPRIETARY TO SAMTEC, INC. AND SHALL NOT BE REPRODUCED OR TRANSFERRED TO OTHER DOCUMENTS OR DISCLOSED TO OTHERS OR USED FOR ANY PURPOSE OTHER THAN THAT WHICH IT WAS OBTAINED WITHOUT THE EXPRESSED WRITTEN CONSENT OF SAMTEC, INC.

DO NOT SCALE DRAWING

SHEET SCALE: 2:1



520 PARK EAST BLVD, NEW ALBANY, IN 47150  
PHONE: 812-944-6733 FAX: 812-948-5047  
e-Mail: info@SAMTEC.com code: 55322

DESCRIPTION:  
.165[4.19] DISCRETE WIRE INSULATOR & LATCH ASM

DWG. NO.

IPBD-XX-X-X-X

BY: T NEWTON 03/20/2008 SHEET 2 OF 2