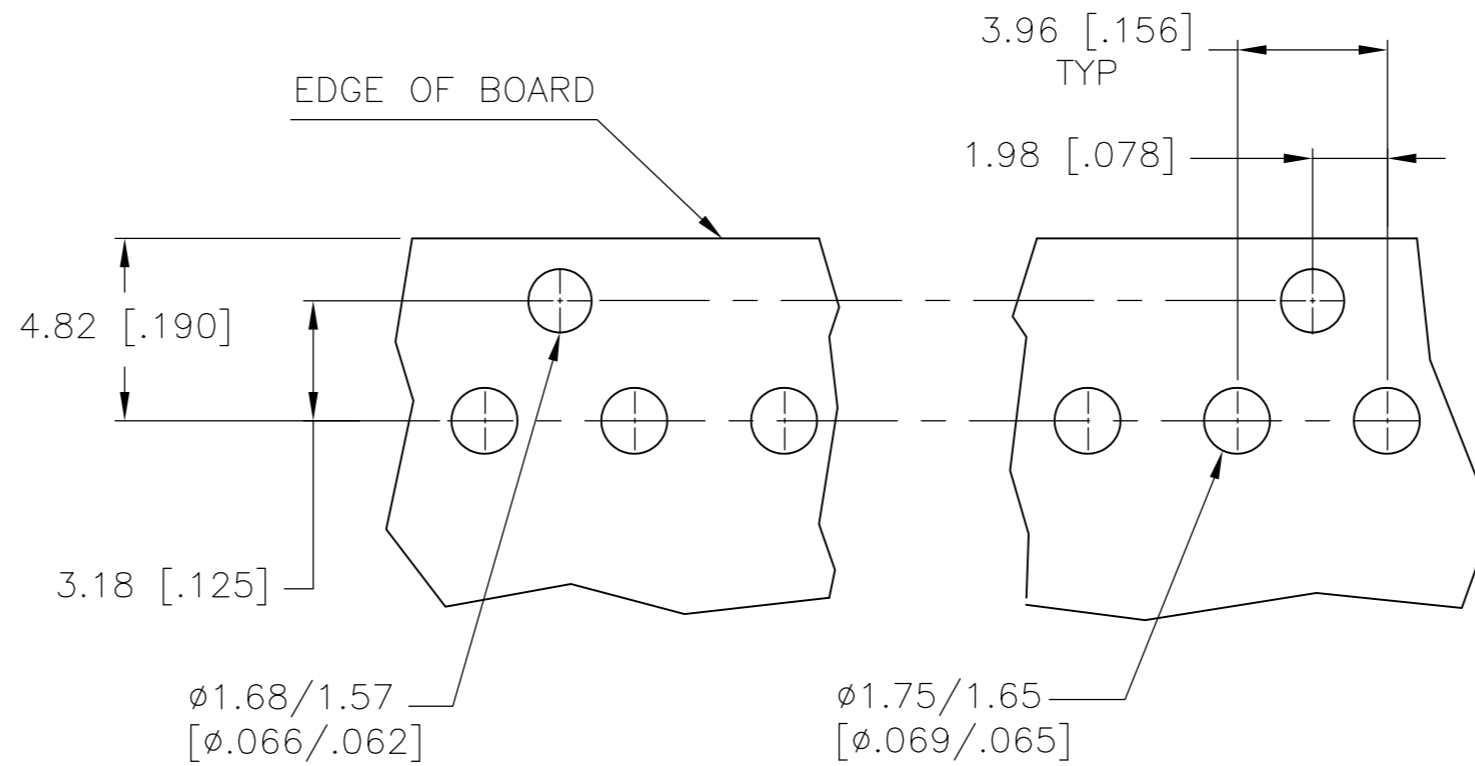
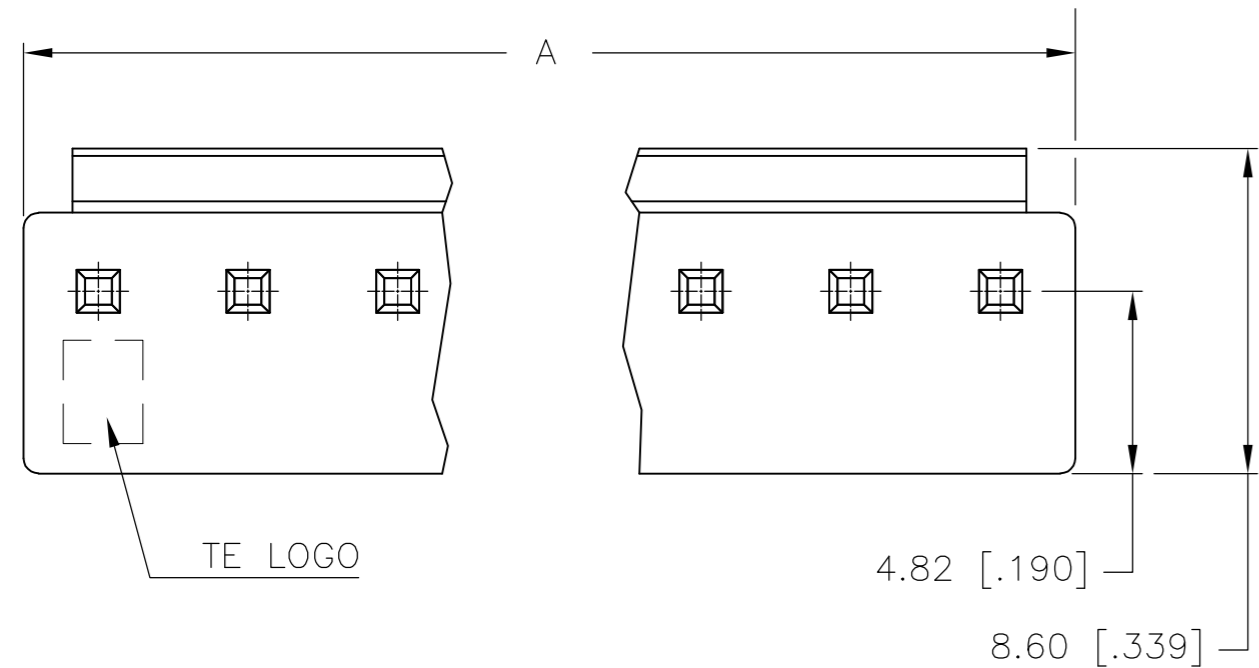


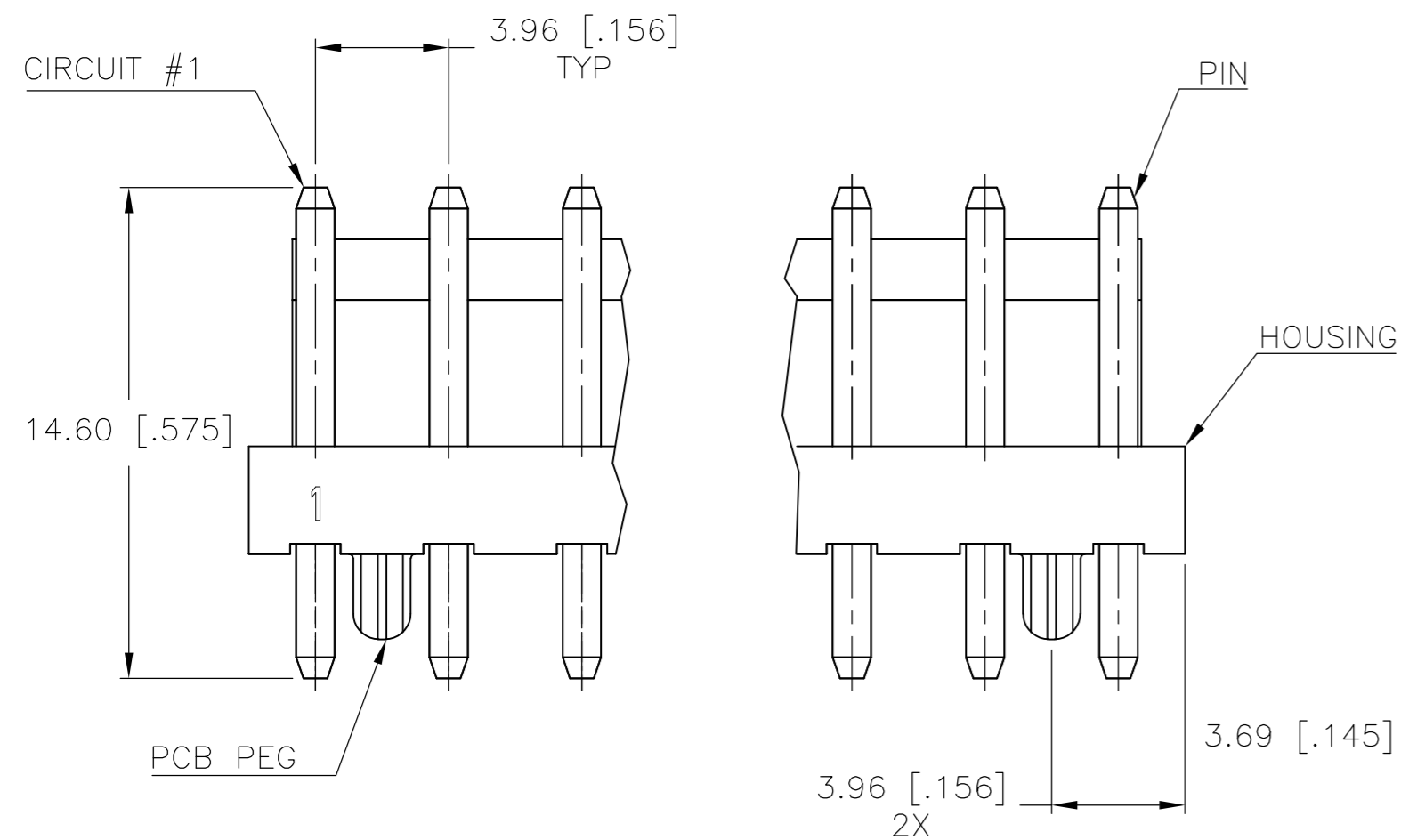
THIS DRAWING IS UNPUBLISHED. RELEASED FOR PUBLICATION
 © COPYRIGHT By - ALL RIGHTS RESERVED.

REVISIONS				
P	LTR	DESCRIPTION	DATE	APVD
C6		REVISED PER ECR-17-004863	17APR17	O.C D.Z

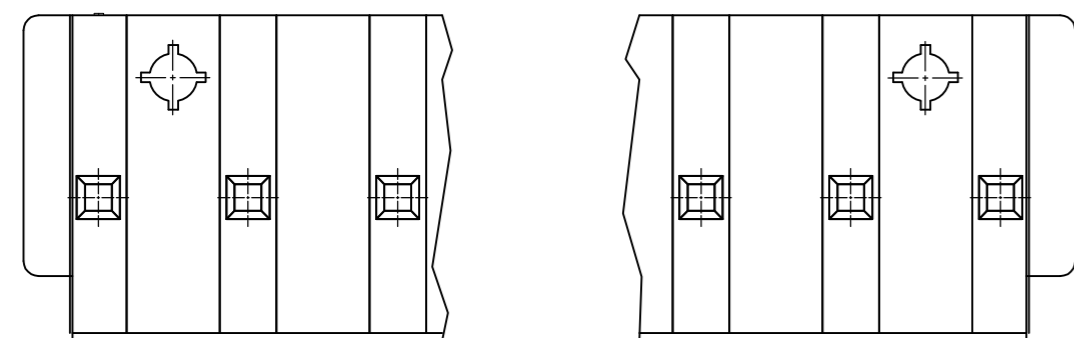


RECOMMENDED MOUNTING HOLE PATTERN FOR 1.60 [.063] THICK PC BOARD

- HOUSING MATERIAL: NYLON, UL94 V0.
 - PIN MATERIAL: BRASS.
 - PIN PLATING: 0.003 [.000120] MIN TIN OVER 0.001 [.000039] MIN NICKEL.
 - 2 POSITION HAS 1 PEG, ALL OTHERS HAVE 2 PEGS.
 - PARTS MEETS IEC 60335-1 GWT (GLOW WIRE TEST) 750°C SPEC.
 - SKETCHES SHOW NO PINS MISSING.
- △ "O" WITH PIN
 "X" WITHOUT PIN.



PIN POSITIONS									NO. OF POSITIONS	COLOR	DIM A		PART NUMBER
1	2	3	4	5	6	7	8	9			mm	IN	
0	0	X	0	0	0	0	0	0	9	NATURAL	35.64	[1.403]	1-1744429-9
0	0	X	0	0	0				6	NATURAL	23.76	[0.935]	1-1744429-6
0	X	0	0						4	NATURAL	15.84	[0.624]	1-1744429-4
0	X	0	X	0					5	NATURAL	19.80	[0.780]	1-1744429-5
0	X	0							3	NATURAL	11.88	[0.468]	1-1744429-3
0	0	0	0	0	0	0	0	0	9	NATURAL	35.64	[1.403]	1744429-9
0	0	0	0	0	0	0	0		8	NATURAL	31.68	[1.247]	1744429-8
0	0	0	0	0	0	0			7	NATURAL	27.72	[1.091]	1744429-7
0	0	0	0	0	0				6	NATURAL	23.76	[0.935]	1744429-6
0	0	0	0	0					5	NATURAL	19.80	[0.780]	1744429-5
0	0	0	0						4	NATURAL	15.84	[0.624]	1744429-4
0	0	0							3	NATURAL	11.88	[0.468]	1744429-3
0	0								2	NATURAL	7.92	[0.312]	1744429-2



THIS DRAWING IS A CONTROLLED DOCUMENT.

DWN	JR RUTH	09JAN12
CHK	SAM MACE	09JAN12
APVD	SAM MACE	09JAN12
PRODUCT SPEC	108-5609	
APPLICATION SPEC		

TE Connectivity

HEADER ASSEMBLY-ECONOMY POWER
 VERTICAL, W/RETENTION PEGS

SIZE	A2	CAGE CODE	00779	DRAWING NO	C=1744429	RESTRICTED TO	-
SCALE	5:1	SHEET	1 of 1	REV	C6		

CUSTOMER DRAWING