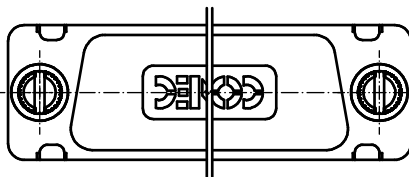
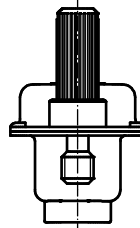
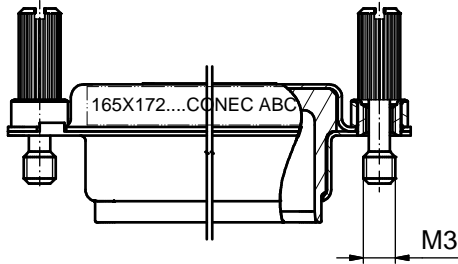
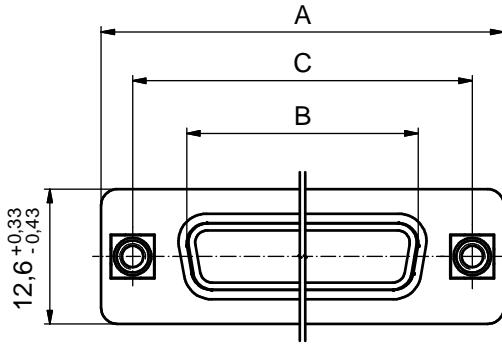
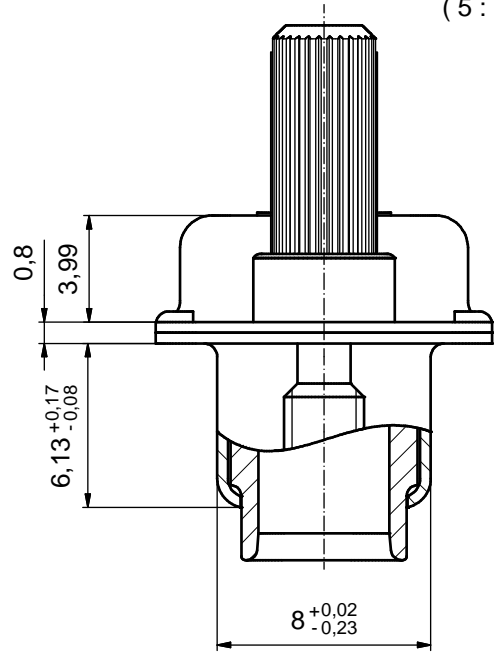


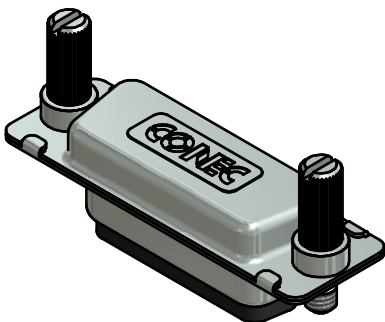
No. of pos.	A _{-0,76}	B _{+0,25}	C	Part-No. Bulk package	Part-No. Single package
9	31,19	16,46	25,00 ^{+0,12} _{-0,13}	165X17259X	165X17259XE
15	39,52	24,79	33,30 ^{+0,15} _{-0,1}	165X17269X	165X17269XE
25	53,42	38,50	47,04 _{±0,13}	165X17279X	165X17279XE
37	69,70	54,96	63,50 _{±0,13}	165X17289X	165X17289XE
50	67,31	52,55	61,10 ^{+0,14} _{-0,11}	165X17299X	165X17299XE

(5:1)



NOTES:

- METALSHELLS: COPPER ALLOY; min. 315µin TIN over 40-80µin NICKEL
- INSULATOR: TPE
- THREADED INSERTS: BRASS
- SCREWS: STEEL; NICKEL PLATED
- CONNECTOR IS PART MARKED: [PART NO. CONEC ABC]



Directive 2002/95/EC RoHS compliant

THIS DRAWING MAY NOT BE COPIED OR REPRODUCED IN ANY WAY, AND MAY NOT BE PASSED ON TO A THIRD PARTY WITHOUT WRITTEN PERMISSION. OWNERSHIP AND COPYRIGHT OF CONEC GmbH DO NOT ALTER CAD DRAWING BY HAND	tolerance			dim. in mm	scale: 2:1 (5:1)
					material: SEE NOTES
	date	name		title:	
	drawn 29.06.11	Henneboel		HOOD 9-50pos.	
	appd. 29.06.11	Fischer		WATER RESISTANT AND SHIELDED; FOR EMI/RFI for plug connector, with jack screws	
	norm	DIN 41652		dwg no:	
d-old			16K1A2841		
a Original			DIN-A3		
rev.	description	date	name	sh: 1	
CONEC				part no: SEE TABLE	