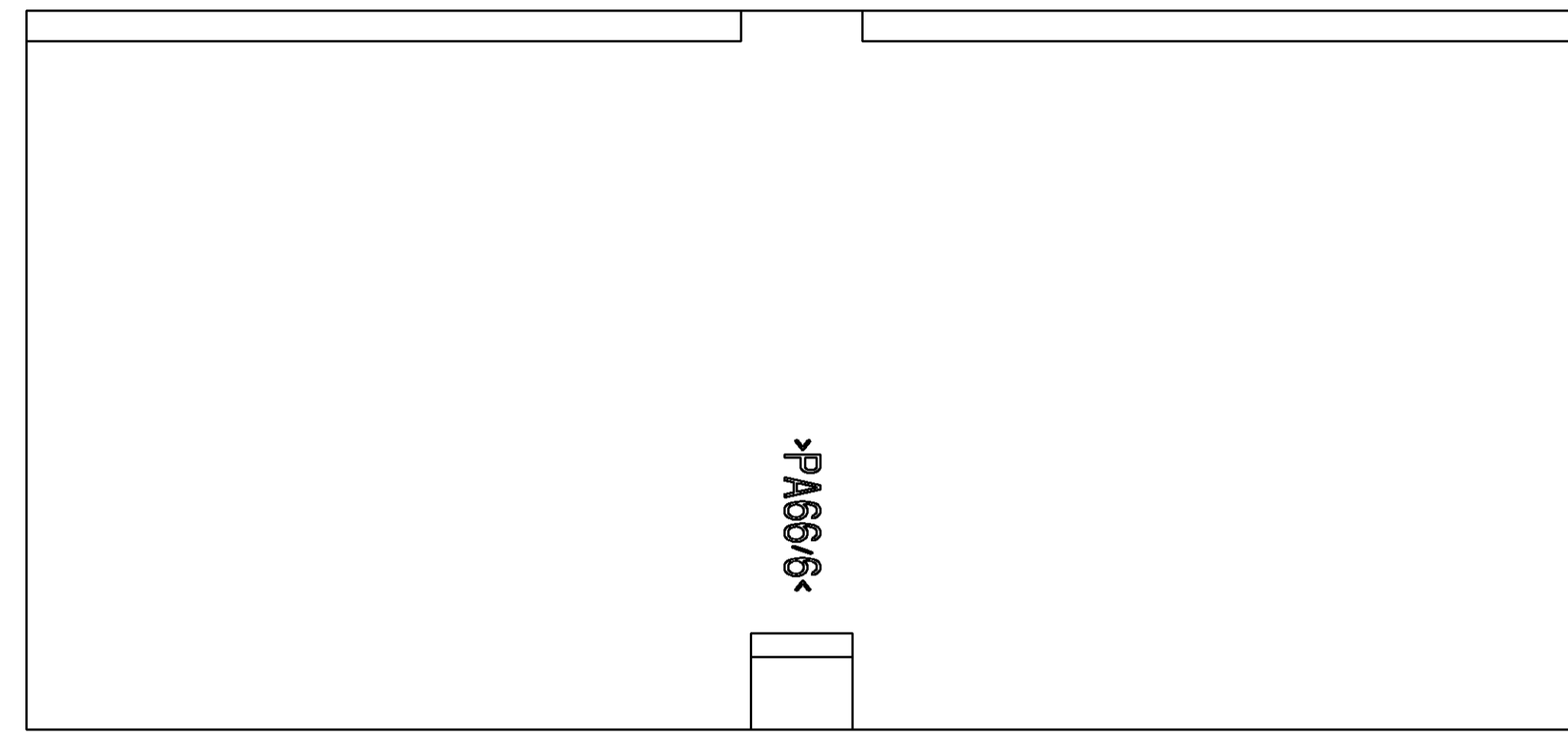
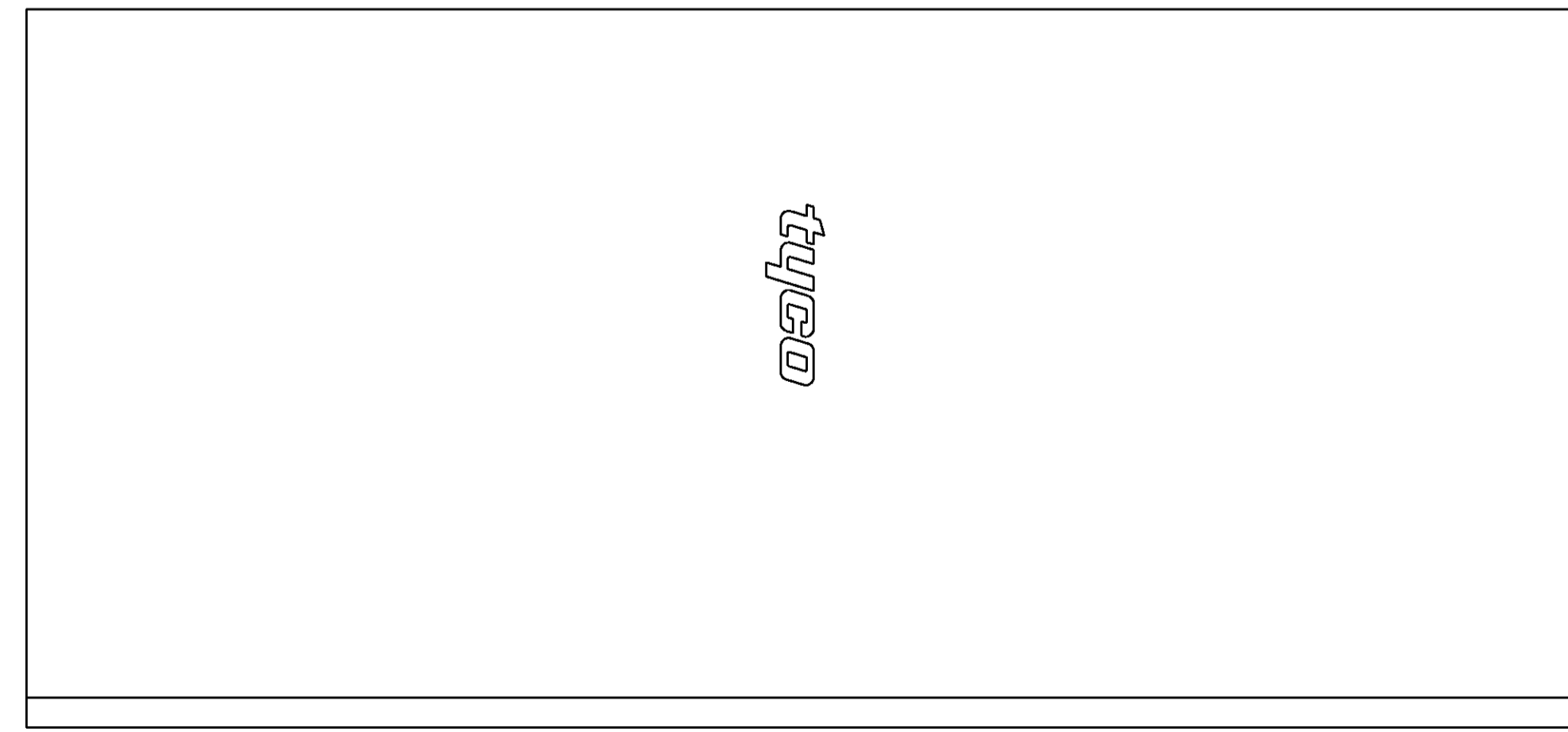
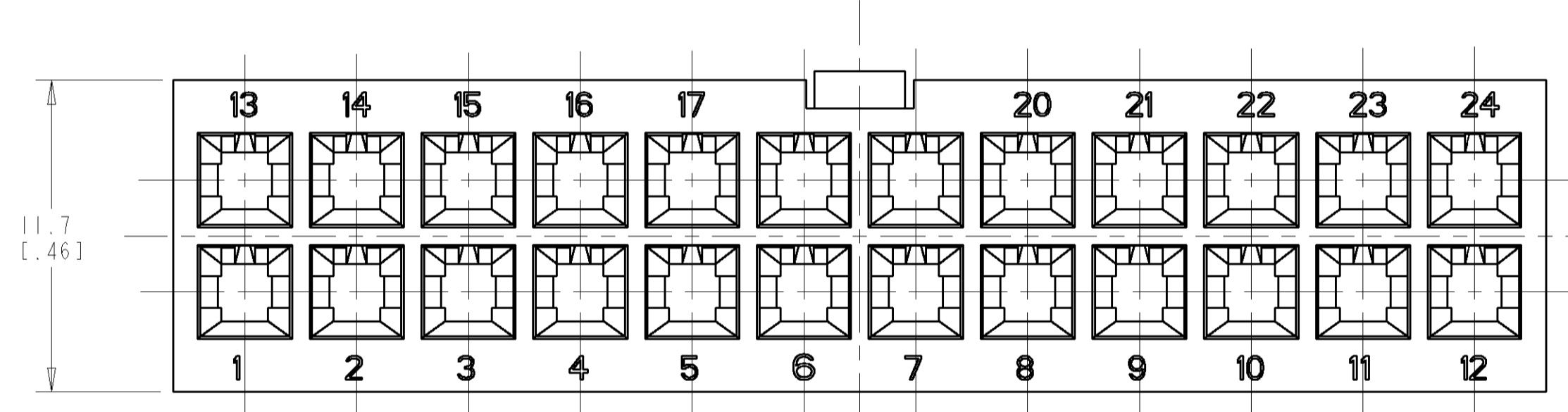
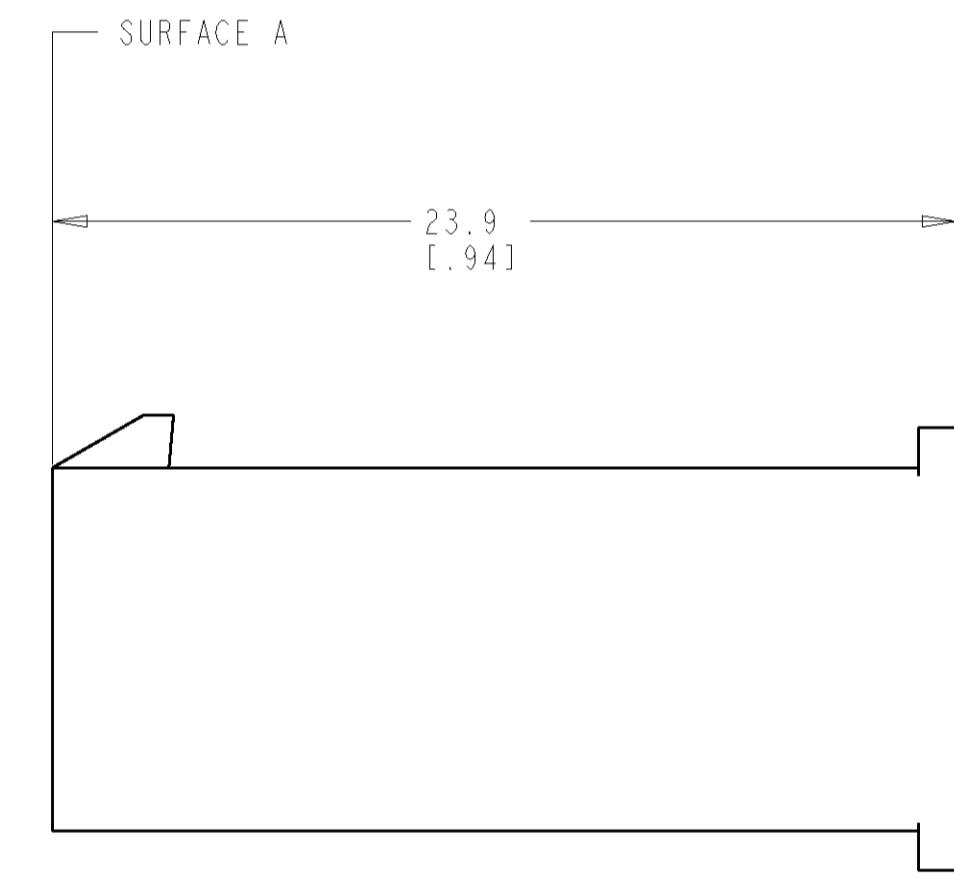
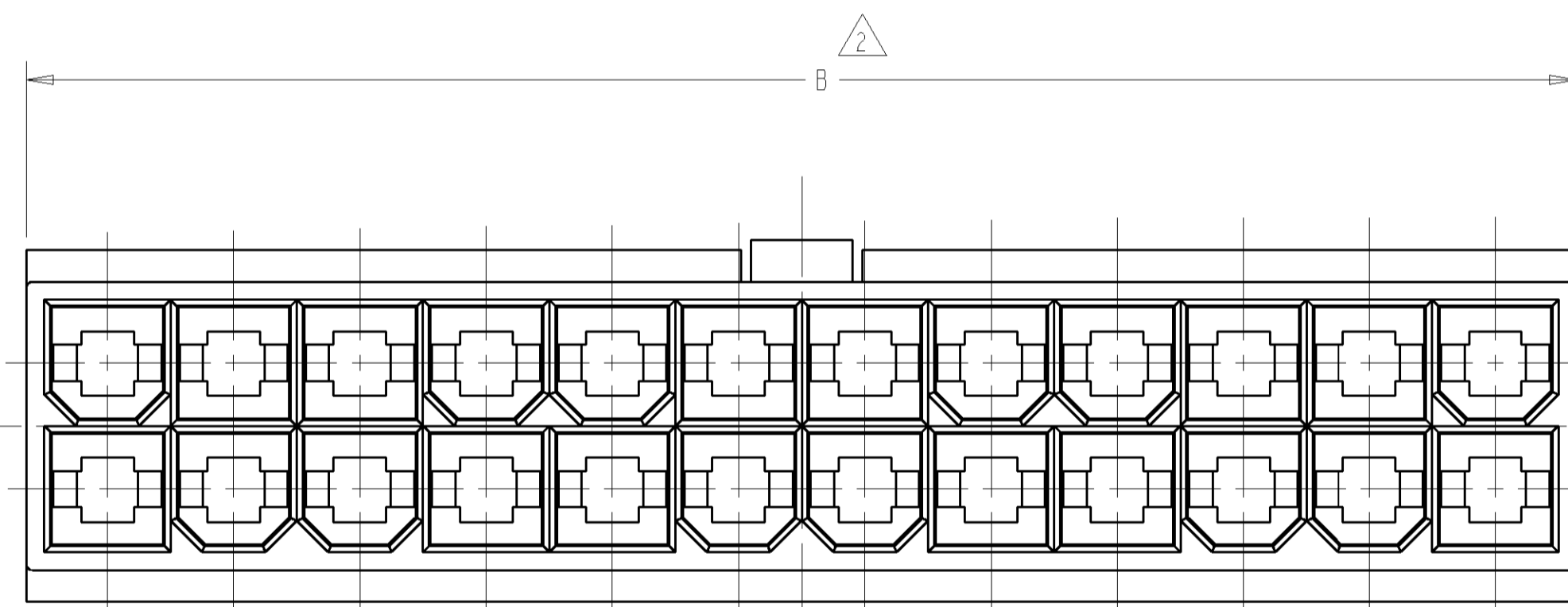


LOC	DIST	REVISIONS					
CM	00	P	LTR	DESCRIPTION	DATE	DWN	APVD
		B		REVISED PER 0638-0761-04	11-OCT-04	SH	DC



- 1 NYLON, UL94V-0, NATURAL (WHITE).
- 2 DIMENSION TO BE CHECKED AT SURFACE A.
- 3. DIMENSIONS IN BRACKETS ARE IN INCHES.
- 4. MALE CONTACTS MUST BE INSERTED SO THAT THE TOP OF THE WIRE AND INSULATION CRIMPS ARE FACING THE SIDE OF THE HOUSING WITH THE LOCKING LATCH.



51.6[2.032]	24	2-794594-4
47.4[1.866]	22	2-794594-2
43.2[1.701]	20	2-794594-0
39[1.535]	18	1-794594-8
34.8[1.370]	16	1-794594-6
30.6[1.205]	14	1-794594-4
26.4[1.039]	12	1-794594-2
22.2[0.874]	10	1-794594-0
18[0.709]	8	794594-8
13.8[0.543]	6	794594-6
9.6[0.378]	4	794594-4
5.4[0.213]	2	794594-2
B	NO. OF POSITIONS	PART NUMBER

DIMENSIONS: mm [INCHES]		TOLERANCES UNLESS OTHERWISE SPECIFIED: 0 PLC ± 1 PLC ± 2 PLC ± 3 PLC ± 4 PLC ± ANGLES ±		DWN S. HOOVER 11-OCT-2004 ENR D. COLEY 11-OCT-2004 APVD D. COLEY 11-OCT-2004		tyco AMP Incorporated Harrisburg, PA 17105-3608	
MATERIAL:		FINISH:		PRODUCT SPEC:		NAME:	
METRIC		40° 30'		APPLICATION SPEC:		PLUG, FREE HANGING, 2 TO 24 POSITION, AMP-DUAC™ POWER CONNECTOR	
CUSTOMER DRAWING		WEIGHT:		SIZE:		RESTRICTED TO:	
SCALE: 4:1		SHEET 1 OF 1		REV B		DATE: 11-OCT-2004	