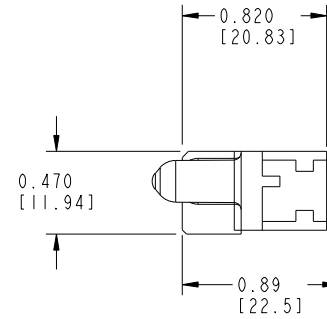
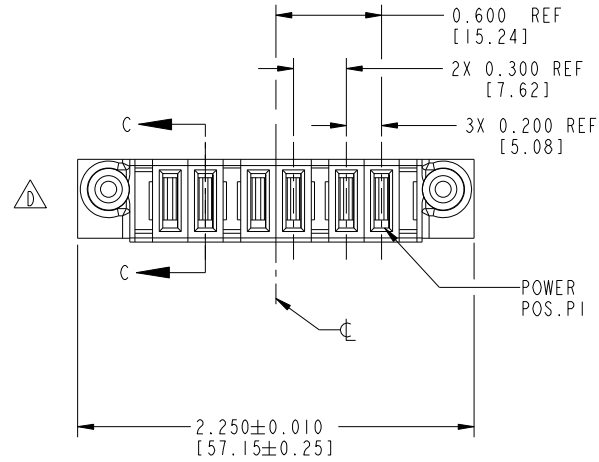
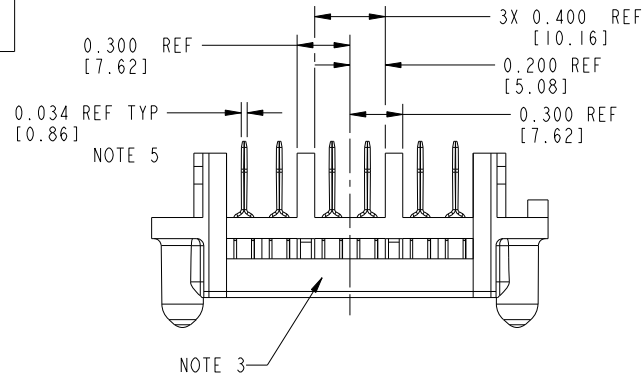


Tous droits strictement reserves. Reproduction ou communication a des tiers interdite sous quelque forme que ce soit sans autorisation ecrite du propriétaire. Propriete de c FCI. Droits de reproduction FCI.



All rights strictly reserved. Reproduction or issue to third parties in any form whatever is not permitted without written authority from the proprietor. Property of FCI. Copyright FCI.

PRODUCT NUMBER
51871-005_--
NOTE: ③



CODE	DIM "M" ±0.010 [0.25]	TERMINATION AREA ±0.010 [0.25]	CONTACT TYPE
PG	0.042 [1.07]	0.393 [9.98]	POWER
PH	0.092 [2.34]	0.393 [9.98]	POWER

mat'l code				NOTE 1		tolerances unless otherwise specified	
lfr	ecn no.	dr	date	linear	.XX±.01/0.X±0.3	projection	0°±2°
A	V03-0360	MEM	3/27/03	angles	.XXX±.005/0.XX±0.13	INCH/MM	scale 1:1
B	DG05-0216	SJ	07/11/05	enrg	.XXX±.0020/0.XXX±0.050	product family	PwrBlade
C	DG08-0251	W D	09/16/08	chr		size	213
D	DG09-0116	W D	04/13/09	appd		dwg no	51871-005
						sheet	1 of 2
sheet index	revision sheet	D	D				
		1	2				

CUSTOMER		www.fciconnect.com	
COPY		title	
6P RIGHT ANGLE CABLE RECEPTACLE		product family	
PwrBlade		code	
213		sheet	
1 of 2		cage code	
22526		4	

Pro/E

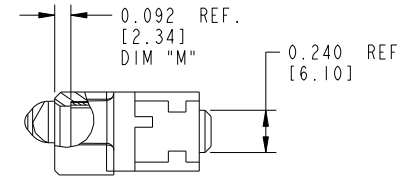
cage code 22526

Tous droits strictement reserves. Reproduction ou communication a des tiers interdite sous quelque forme que ce soit sans autorisation écrite du propriétaire. Propriete de c FCI. Droits de reproduction FCI.



All rights strictly reserved. Reproduction or issue to third parties in any form whatsoever is not permitted without written authority from the proprietor. Property of FCI. Copyright FCI.

PRODUCT No.	ROWS	POWER						E1	
		E2	P6	P5	P4	P3	P2		P1
51871-005-- NOTE: ③	D C B A								



PARTIAL SECTION C-C

CONNECTOR NOTES:

- ① HOUSING MATERIAL: UL 94 V-0 GLASS FILLED HIGH TEMP THERMOPLASTIC
POWER CONTACT MATERIAL: COPPER ALLOY
- ② SEE ITEM 5 & 6 IN PRINT 10064183 FOR PLATING SPEC OF 51871-005 AND 51871-005LF RESPECTIVELY.
- ③ "MANUFACTURER'S" NAME, P/N, AND DATE CODE TO APPEAR ON THIS SURFACE
4. PRODUCT SPECIFICATION GS-12-149
5. TERMINATE WITH INDUSTRY STANDARD FEMALE .250 INCH QUICK DISCONNECT TERMINAL CAPABLE OF MATING TO A STANDARD .032 INCH THICK X .250 INCH WIDE MALE TAB TERMINAL.
6. A Δ SYMBOL WILL BE NEXT TO ANY DIMENSION, VIEW, OR NOTE WHICH HAS BEEN MODIFIED WITH THE CURRENT DRAWING REVISION.

mat'l code		NOTE 1		tolerances unless otherwise specified		CUSTOMER		www.fciconnect.com	
ltr	ecn no.	dr	date	linear	.XX±.01/0.X±0.3	projection		title	
D					.XXX±.005/0.XX±0.13			6P RIGHT ANGLE CABLE RECEPTACLE	
				angles	.XXX±.0020/0.XXX±0.050		INCH/MM	product family	
				dr	0°±2°			PwrBlade	code
				enrg	M. MOSTOLLER 3/27/03	scale	A	size	213
				chr	M. MOSTOLLER 3/27/03	1:1		dwg no	sheet
				appd	H. BREWBAKER 3/27/03		51871-005	2	
sheet index	revision sheet								



Pro/E

cage code 22526