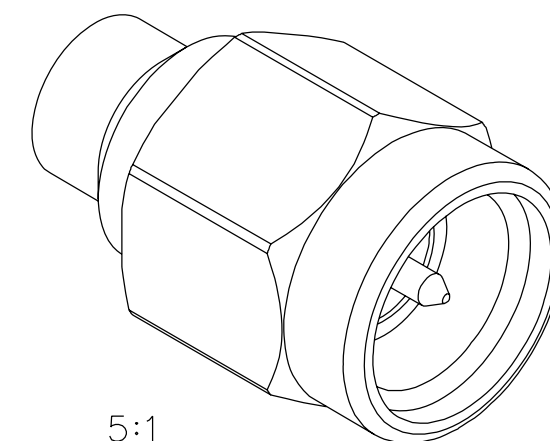
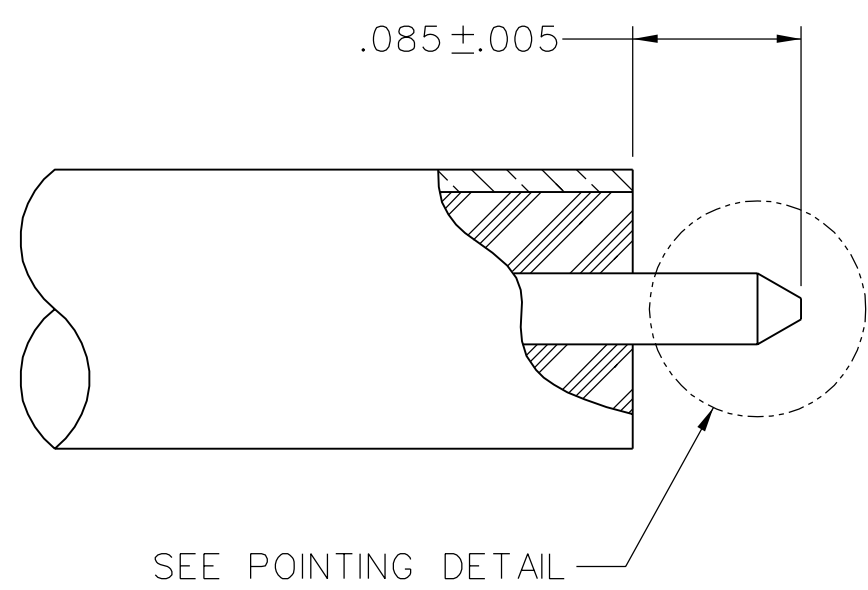


PART NUMBER	ITEM ① BODY	ITEM ② CONTACT	ITEM ③ INSULATOR	ITEM ④ COUPLING NUT	ITEM ⑤ RETENTION SPRING	ITEM ⑥ GASKET
141-0694-061	STAINLESS STEEL GOLD PL .00001 MIN OVER NICKEL PL .00005 MIN OVER	BERYLLIUM COPPER GOLD PL .00005 MIN OVER NICKEL PL .00005 MIN OVER COPPER PL .00005 MIN	TEFLON	STAINLESS STEEL GOLD PL .00001 MIN OVER NICKEL PL .00005 MIN OVER	BERYLLIUM COPPER UNPLATED	SILICONE RUBBER
141-0694-062	STAINLESS STEEL GOLD PL .00001 MIN OVER NICKEL PL .00005 MIN OVER	BERYLLIUM COPPER GOLD PL .00005 MIN OVER NICKEL PL .00005 MIN OVER COPPER PL .00005 MIN	TEFLON	STAINLESS STEEL PASSIVATED	BERYLLIUM COPPER UNPLATED	SILICONE RUBBER

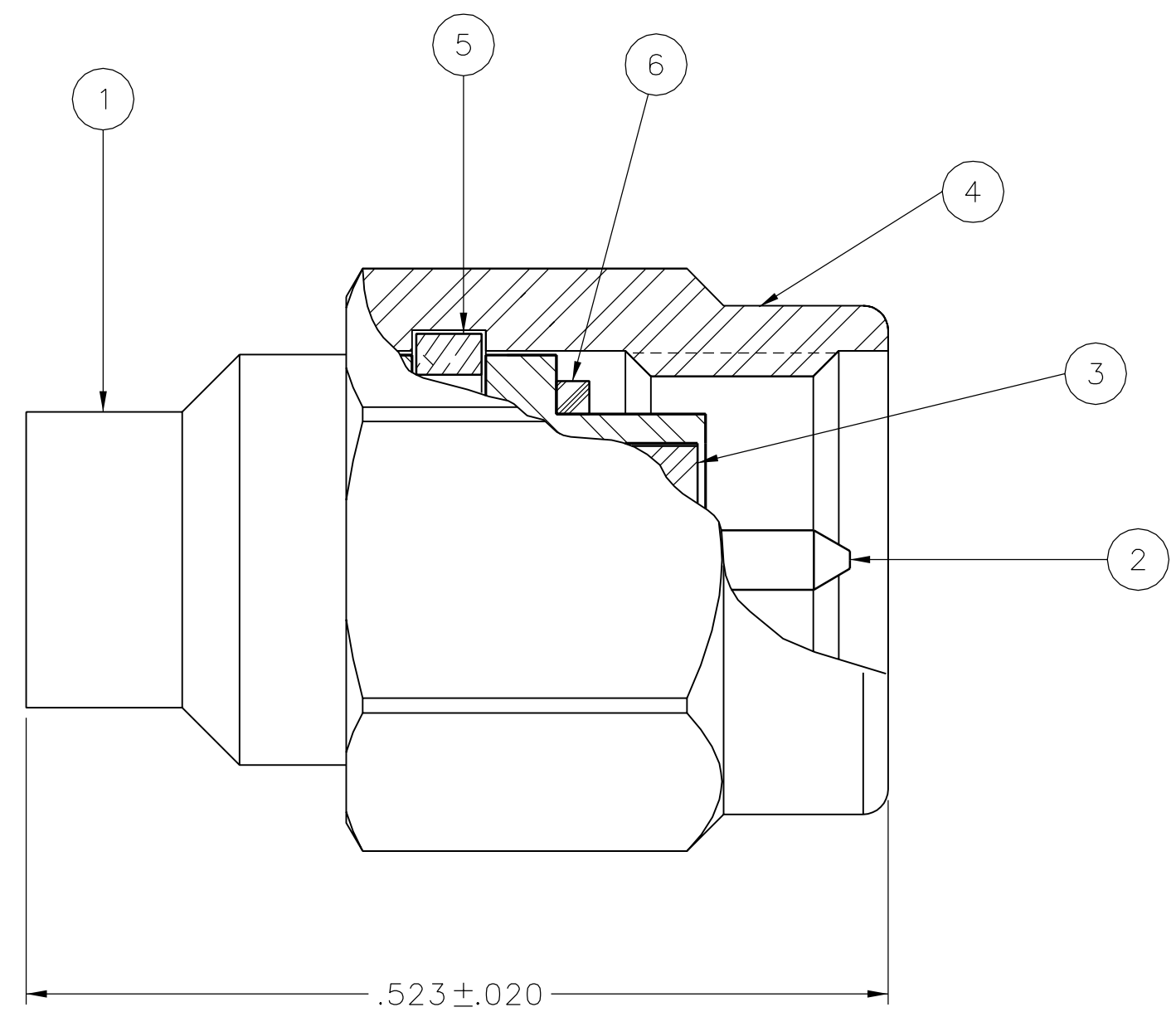


DRAWING NO.  
C - 141-0694-061/070

0	REVISIONS					
ENGINEERING RELEASE						
1	12-15-05	P	S	P		5-12-06
		A	B	D	W	ECN 50071
VERSION UPDATE						
*****						
* REVISION NUMBER FOLLOWED BY AN ALPHA *						
* CHARACTER INDICATES DRAWING CLARIF-						
* CATION OR PART NUMBER ADDITION ONLY. *						
*****						
1a	5-26-06	P	S	P		6-20-06
		A	B	D	W	ECN 50468
UPDATED VIEWS						
2	10-23-08	P	R	R	M	J
		A	J	B	U	C
		T	T	N	N	N
						10-27-08
						ECN 51689



CABLE STRIP DIMENSIONS



NOTES:

1. SPECIFICATIONS:

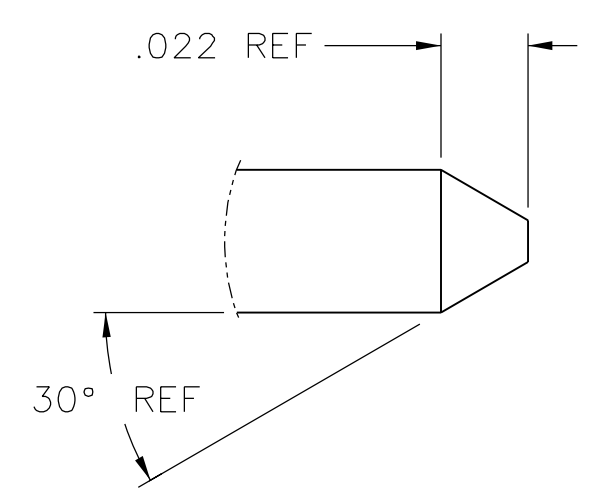
IMPEDANCE: 50 OHMS  
 FREQUENCY RANGE: 0-26.5 GHz  
 VSWR: 1.05+.01F(GHz) MAX AT 0-18 GHz  
 WORKING VOLTAGE: 500 VRMS MAX AT SEA LEVEL  
 DIELECTRIC WITHSTANDING VOLTAGE: 1500 VRMS MIN AT SEA LEVEL  
 INSULATION RESISTANCE: 5000 MEGOHM MIN  
 CONTACT RESISTANCE:  
 CENTER CONTACT - INITIAL 3.0 MILLIOHM MAX, AFTER ENVIRONMENTAL 5.0 MILLIOHM MAX  
 OUTER CONDUCTOR - INITIAL 0.5 MILLIOHM MAX, AFTER ENVIRONMENTAL NOT APPLICABLE  
 BODY TO CABLE - 0.5 MILLIOHM MAX  
 CORONA LEVEL: 375 VOLTS MIN AT 70,000 FEET  
 INSERTION LOSS: .03√F (F IN GHZ), TESTED AT 10 GHZ  
 RF LEAKAGE: -90 DB MIN AT 2 TO 3 GHZ  
 RF HIGH POTENTIAL WITHSTANDING VOLTAGE: 1000 VRMS AT 4 AND 7 MHZ

MECHANICAL:

ENGAGE/DISENGAGE TORQUE: 2 IN-LBS MAX  
 MATING TORQUE: 7-10 IN-LBS  
 COUPLING PROOF TORQUE: 15 IN-LBS MIN  
 COUPLING NUT RETENTION: 60 LBS MIN  
 CONTACT RETENTION: 6 LBS MIN AXIAL FORCE  
 CABLE ACCEPTABILITY: RG 402, .141 OD SEMIRIGID  
 CABLE HEX CRIMP SIZE: NOT APPLICABLE  
 CABLE RETENTION: 60 LBS MIN AXIAL FORCE  
 55 IN-OUNCE MIN TORQUE  
 DURABILITY: 500 CYCLES MIN

ENVIRONMENTAL:

(MEETS OR EXCEEDS THE APPLICABLE PARAGRAPH OF MIL-PRF-39012)  
 THERMAL SHOCK: MIL-STD-202, METHOD 107, CONDITION B, EXCEPT 115°C HIGH TEMP  
 OPERATING TEMPERATURE: -65°C TO 165°C  
 CORROSION: MIL-STD-202, METHOD 101, CONDITION B  
 SHOCK: MIL-STD-202, METHOD 213, CONDITION I  
 VIBRATION: MIL-STD-202, METHOD 204, CONDITION D  
 MOISTURE RESISTANCE: MIL-STD-202, METHOD 106



POINTING DETAIL  
20:1

CUSTOMER DRAWING

THIS DRAWING TO BE INTERPRETED PER ASME Y 14.5M - 1994

"μ STATION"

COMPANY CONFIDENTIAL

TOLERANCE UNLESS OTHERWISE SPECIFIED	DRAWN BY PAT	DATE 12-15-05		<b>Cinch</b> CONNECTIVITY SOLUTIONS a bel group	<b>Cinch Connectivity Solutions</b> P.O. Box 1732 Waseca, MN 56093 1-800-247-8256
DECIMALS	CHECKED BY PDW	DATE 5-12-06			
.XX	APPROVED BY SBD	DATE 5-12-06	TITLE SMA PLUG ASSEMBLY ONE PIECE CONNECTOR, RG-402, .141 SEMI-RIGID		
.XXX ±.003	RELEASE DATE	5-12-06	SHEET 2 OF 2	DRAWING NO. C - 141-0694-061/070	
MATL	U/M	INCH	SCALE	10:1	
FINISH					