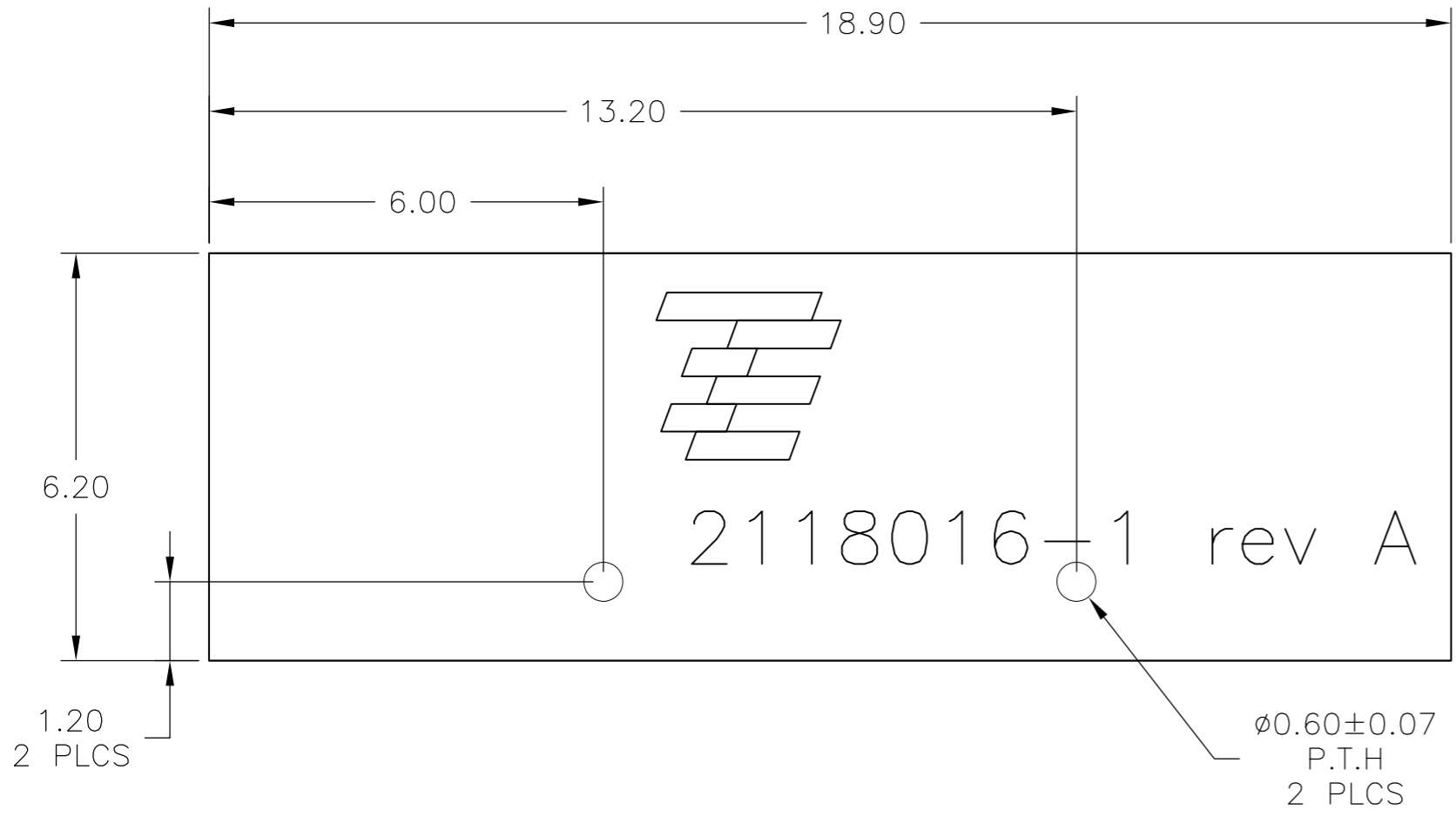
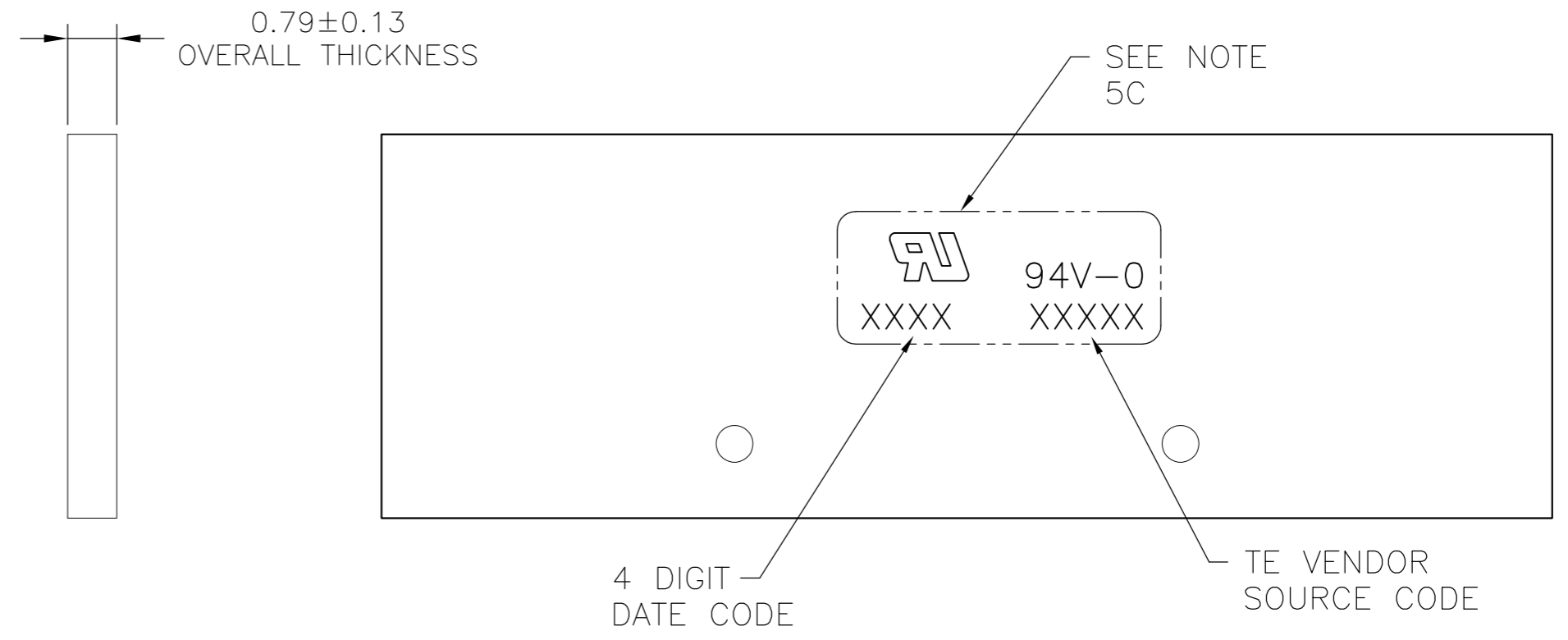


THIS DRAWING IS UNPUBLISHED. RELEASED FOR PUBLICATION
 © COPYRIGHT BY TYCO ELECTRONICS CORPORATION. ALL INTERNATIONAL RIGHTS RESERVED.

| LOC | DIST | REVISIONS | | | |
|-----|------|-------------|----------|-----------|-------|
| P | LTR | DESCRIPTION | DATE | DWN | APVD |
| AJ | 00 | A | RELEASED | 13OCT2010 | DW GG |



2118016-1 AS SHOWN
PRIMARY SIDE



NOTES: UNLESS OTHERWISE SPECIFIED.

- FABRICATE TO MEET IPC - 6012, CLASS 2. INSPECT TO MEET IPC - A - 600, CLASS 2.
- PRIMARY AND SECONDARY SIDES SHOWN
- MATERIAL: GETEK 4 PLY (7628) 0.71 THK. GRADE ML200D 1/2 OZ. COPPER BOTH SIDES. DIELECTRIC CONSTANT @ 1MHZ 4.2±0.1.
- FINISH:
 - A: PLATING: 1/2 Oz COPPER
 - B: SOLDERMASK OVER BARE COPPER (SMOBC).
 - C: MASK BOTH SIDES OF PCB WITH LPI SOLDERMASK. SOLDERMASK COLOR: NATURAL GREEN.
 - D: (ENIG) ELECTROLESS NICKEL IMMERSION GOLD FINISH 0.05 μm MIN GOLD (2μin) OVER 3μm MIN. NICKEL (118μin)
- TWO PLACE TOLERANCES: ±0.23
- PACKAGING: SINGULATED PARTS TO BE VACUUM PACKED IN BULK.
- PARTS ARE COMPLIANT TO ROHS STANDARDS PER TYCO ELECTRONICS STANDARD TEC-138-702.

| | | | | |
|---|--|---------------------------------|---|-----------------|
| THIS DRAWING IS A CONTROLLED DOCUMENT. | | DWN D.WALLACE 17MAR2010 | Tyco Electronics Corporation Harrisburg, PA 17105-3608 | |
| DIMENSIONS: mm | | CHK - | NAME WLAN WLAN DUAL BAND | |
| TOLERANCES UNLESS OTHERWISE SPECIFIED: | | APVD G.GRIFFITH 17MAR2010 | DRAWING NO A2 00779 C=2118016 | |
| 0 PLC ± - 1 PLC ± - 2 PLC ± - 3 PLC ± - 4 PLC ± - ANGLES ± - | | PRODUCT SPEC - | RESTRICTED TO - | |
| MATERIAL - | | FINISH - | SCALE 1:1 | SHEET 1 OF 1 |
| | | WEIGHT - | REV A | |
| | | CUSTOMER DRAWING | | |

2118016