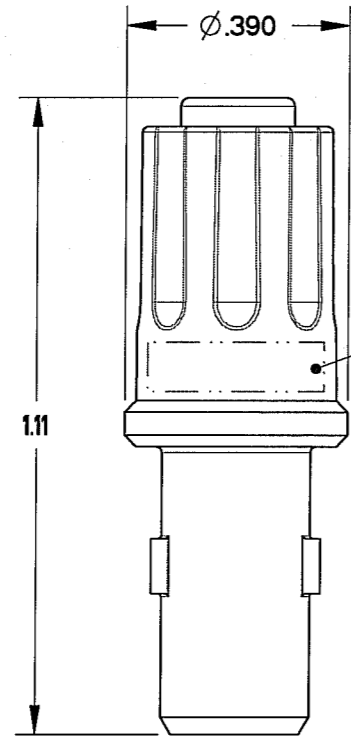
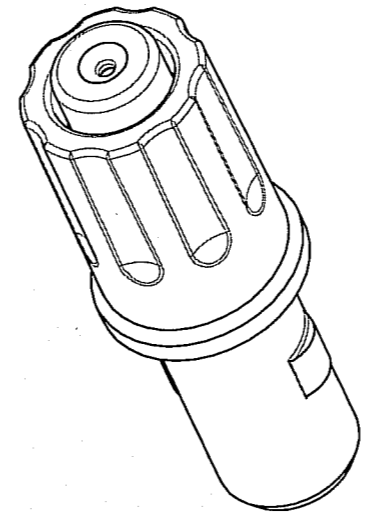
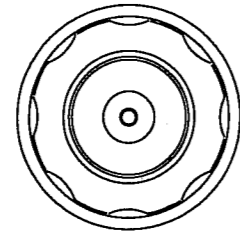


REV	ECN	APP'D
-	5663	J. TON
A	5706	J. TON
B	5720	J. TON
C	5796	J. TON
D	6102	<i>JT 8/14/07</i>



PART MARKING AS FOLLOWS:
 BACC63DG0120SX APCD
 YYWW SJS5201XX
 DATE CODE
 SEE TABLE 1 FOR FULL PART NUMBERS

- NOTES:
- MATERIALS:
 HOUSING: PA 6/6
 CONTACT RETAINER: STAINLESS STEEL
 GROMMET: SILICONE RUBBER PER A-A-59588
 - OPERATING RANGE:
 TEMPERATURE: -55 °C TO 95 °C
 INSULATION RESISTANCE: 5000 MEGOHMS MINIMUM
 DIELECTRIC WITHSTANDING VOLTAGE: 1500 VRMS SEA LEVEL
 600 VRMS @45,000 FT. ALTITUDE
 - CURRENT RATING: 7.5 AMPS
 VIBRATION: PER EIA-364-D METHOD 28
 - ACCEPTS (1) M39029/56-351 SOCKET CONTACT (NOT INCLUDED)
 - CONTACT RETENTION - MUST LOCK 25 LBS
 - LOCKING FEATURE - NO BREAK 25 LBS

TABLE 1 - PART NUMBER SCHEME

APCD PART#	BACC PART#	COLOR
SJS520100	BACC63DG0120SG	GREEN
SJS520110	BACC63DG0120SY	YELLOW

DIMENSIONS ANSI Y14.5M UNITS: INCHES Pro/E FILE	TOLERANCES .XX ±0.01 .XXX ±0.005 ANGLES ±1.0°	PROJECTION 	TITLE Amphenol Pcd SPECIFICATION DRAWING		
			ENGR S. STONE 10/19/05		
ORIGINAL 	THIS DOCUMENT CONTAINS PROPRIETARY INFORMATION WHICH IS THE CONFIDENTIAL PROPERTY OF AMPHENOL PCD, BEVERLY, MA	CHKD <i>Chyd</i> 8/16/07	SIZE B	DWG NO. SJS520100	REV D
		APPD <i>J. TON</i> 8/14/07	CODE: 58982	SCALE: 3:1	SHEET 1 OF 1

SJS520100

SJS520100