

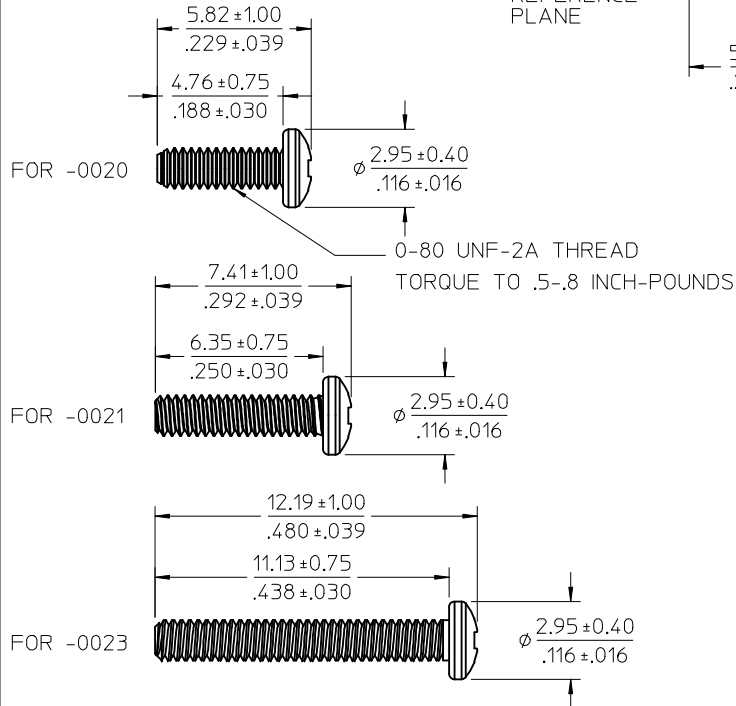
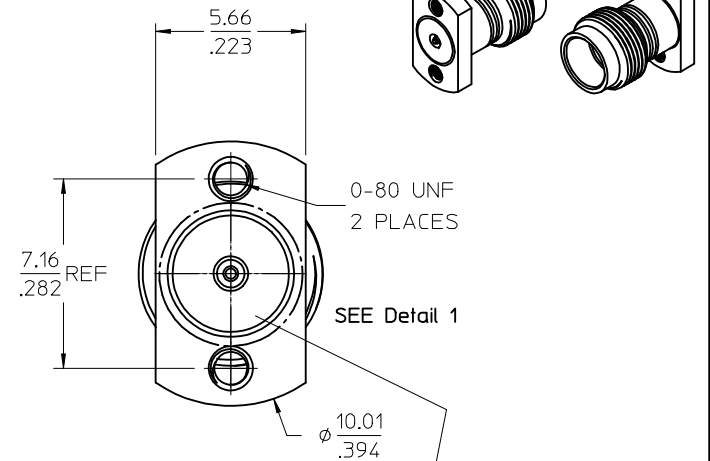
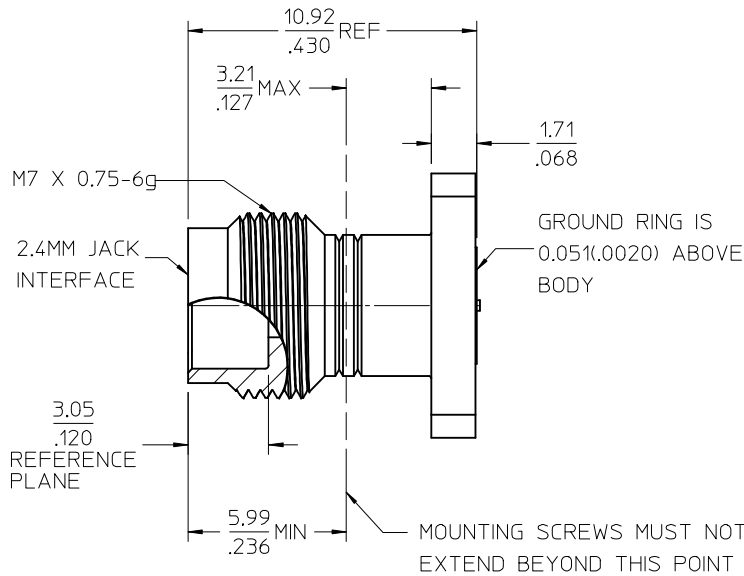
MATERIALS AND FINISHES:

BODY: STAINLESS STEEL
PASSIVATE

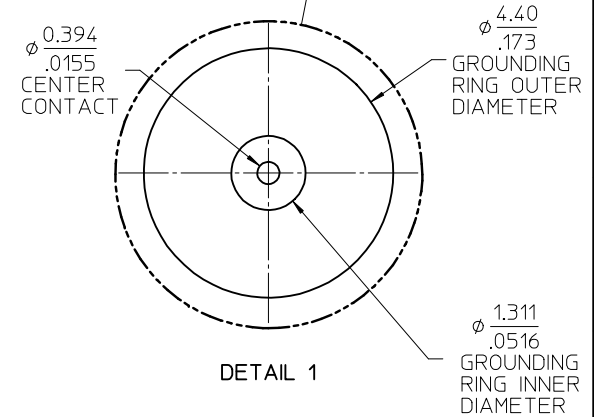
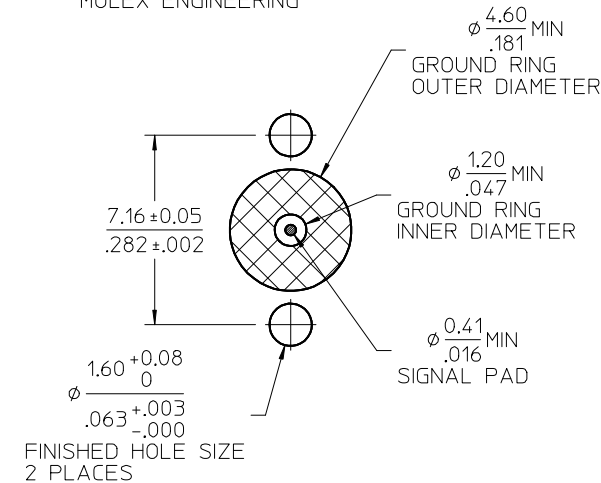
CENTER CONTACT: BERYLLIUM COPPER
PLATED: GOLD (30μ-in) MIN
OVER NICKEL (100μ-in) MIN.

INSULATOR: PTFE

SCREW: STEEL
PASSIVATE
SEE AS-89675-446 FOR INSTRUCTIONS ON
MOUNTING CONNECTOR ON A PCB



GENERAL PCB LAYOUT RECOMMENDATIONS
FOR OPTIMIZED LAYOUTS, CONTACT
MOLEX ENGINEERING



73387-0023	WITH TWO 11.1/438 SCREWS	6.40(.252) TO 8.94(.352)
73387-0022	SCREWS NOT INCLUDED	N/A
73387-0021	WITH TWO 6.35/.25 SCREWS	1.96(.077) TO 3.99(.157)
73387-0020	WITH TWO 4.76/.19 SCREWS	0.56(.022) TO 2.54(.100)
PART NO.	DESCRIPTION	PCB THICKNESS

MIL-STD-348B, FIG 72	INTERFACE
SPECIFICATION	DESCRIPTION

CHG: DRW VIEW UPD. ADD GEN TOL VALUE & DIA FOR C'SINK HOLES ON BODY. EC NO: URF2016-0157 DRW:APRAKASHO1 2015/09/02 CHKD:LLM 2015/09/02 APPR:AROBERTSON 2015/09/15	DESCRIPTION
REV	D5

QUALITY SYMBOLS	GENERAL TOLERANCES (UNLESS SPECIFIED)
▽=0	mm INCH
▽=0	4 PLACES ± --- ± ---
	3 PLACES ± --- ± 0.010
	2 PLACES ± 0.25 ± ---
	1 PLACE ± --- ± ---
	ANGULAR ± 2 °
	DRAFT WHERE APPLICABLE MUST REMAIN WITHIN DIMENSIONS

DIMENSION STYLE		SCALE	DESIGN UNITS	THIRD ANGLE PROJECTION
MM/IN			METRIC	
DRAWN BY	DATE	TITLE		
JLEE02	2010/04/20	2.4MM JACK VERTICAL PCB		
CHECKED BY	DATE	50 OHM, COMPRESSION		
SSS	2010/04/20	EWR-4172, 2.4MM-JR/PCB		
APPROVED BY	DATE	MOLEX INCORPORATED		
JWIENER	2010/10/27	MOLEX INCORPORATED		
MATERIAL NO.	DOCUMENT NO.	SHEET NO.		
SEE TABLE	SD-73387-002	1 OF 1		
SIZE	THIS DRAWING CONTAINS INFORMATION THAT IS PROPRIETARY TO MOLEX INCORPORATED AND SHOULD NOT BE USED WITHOUT WRITTEN PERMISSION			