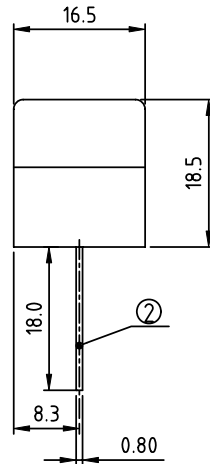
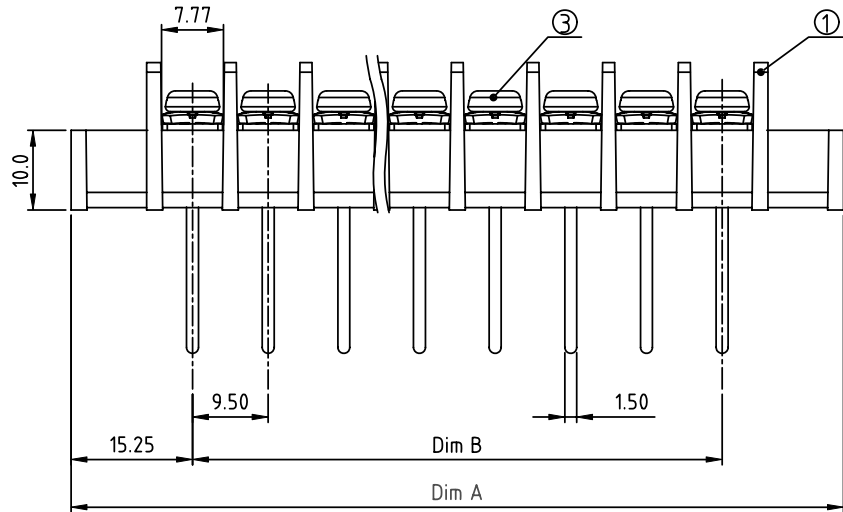
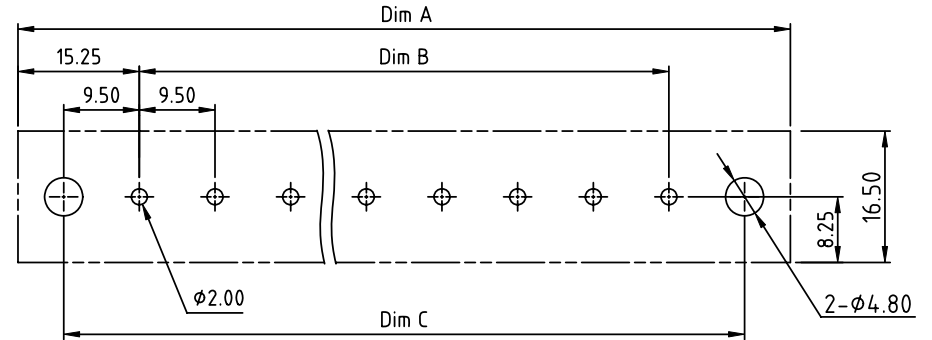
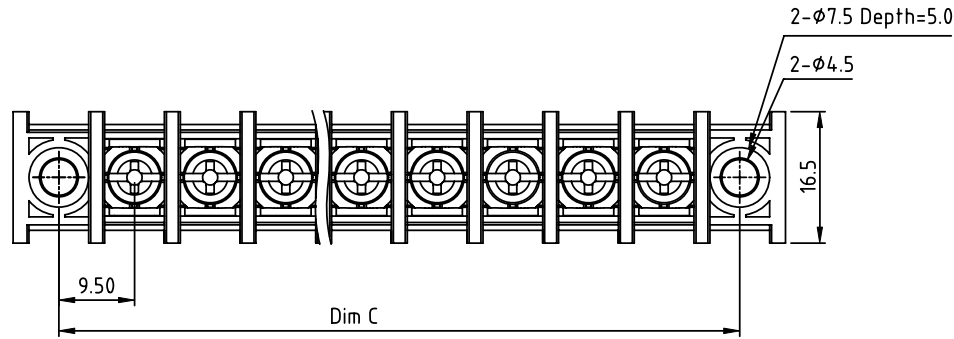


PRODUCT NUMBER	PITCH
YK515xx3x0J0G	9.50 mm



RECOMMENDED P.C.B LAYOUT
TOP VIEW

MATERIALS & ELECTRICAL
 RATED VOLTAGE & CURRENT: 300 V, 30A
 WITHSTAND VOLTAGE: AC 2000 V/Min
 INSULATION RESISTANCE: 1000 MΩ OR MORE AT DC 500 V
 OPERATING TEMPERATURE RANG: -40 °C ~ +115 °C
 SCREW TORQUE VALUE: 8.8 Lb-In.
 WIRE RANGE: 10-22 AWG
 1) HOUSING: Thermoplastic, UL 94 V-0 BLACK
 2) TERMINAL: BRASS, 0.8t
 3) TERMINAL SCREWS: STEEL, M3.5
 APPROVAL: us

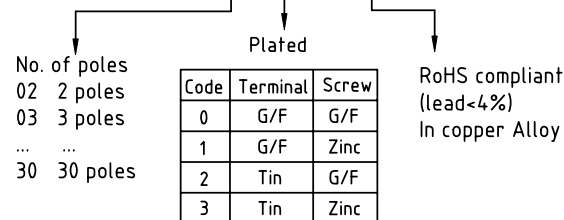
DIMENSION

Dim A	(N+2)×9.5+2.0
Dim B	(N-1)×9.5
Dim C	(N+1)×9.5

N=Number of poles

Poles	Tolerance
2p-3p	±0.30
4p-12p	±0.40
13p-30p	±0.60

PART NO.: YK 515xx 3 x 0 J0G



mat'l. code		surface ASME Y14.5	tolerance ASME Y14.5	projection 	product family TERMINAL BLOCK
ltr	ecn no	dr	date	tolerances unless otherwise specified	title TERMINAL BLOCK
				angles 	BARRIER TYPE, WITH FLANGE
				X°±1°	scale
				dr EVAN LU 061314	dwg no
				enr EVAN LU 061314	sheet 1 of 1
				chr HANKE FENG 061314	size A4
				appd SHI JUN 061314	YK515xx3x0J0G
					type CUSTOMER Drawing
sheet index	revision sheet	A	1		