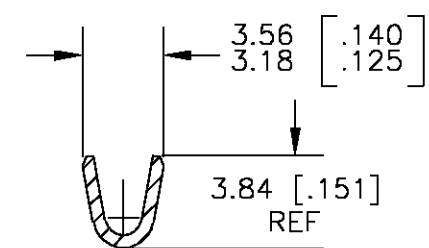
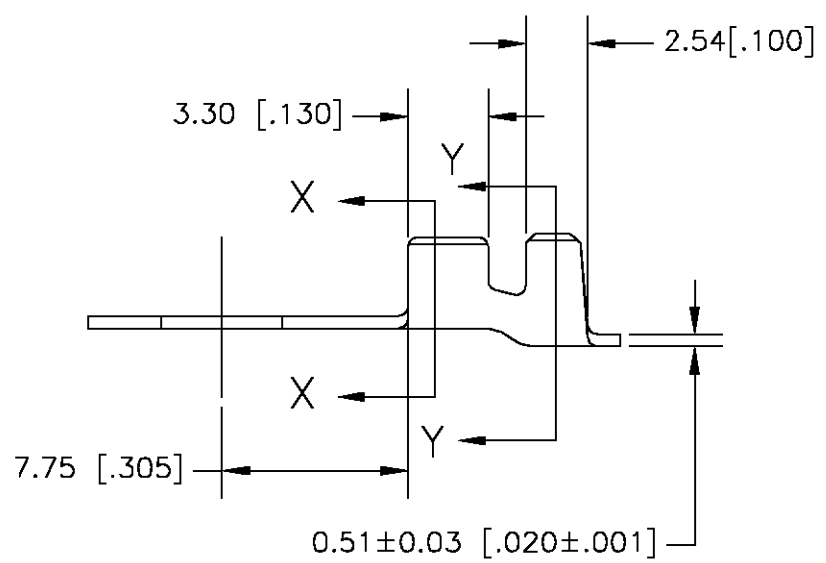
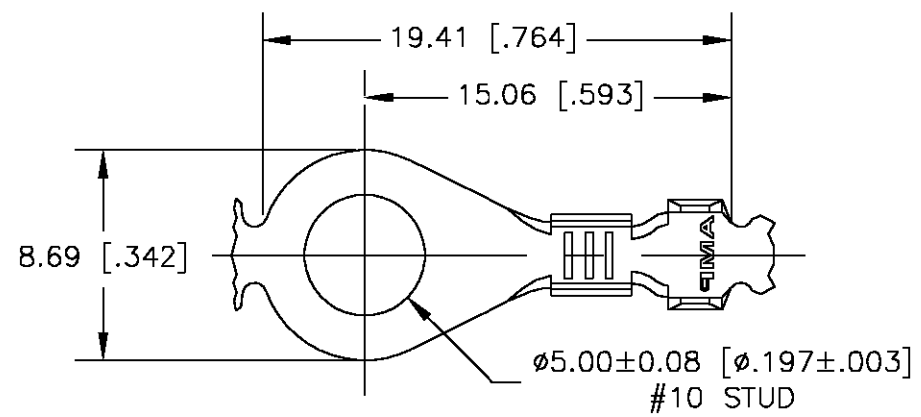


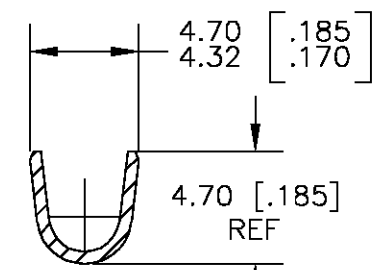
4 3 2 1

THIS DRAWING IS UNPUBLISHED. RELEASED FOR PUBLICATION  
 © COPYRIGHT BY TYCO ELECTRONICS CORPORATION. ALL RIGHTS RESERVED.

LOC	DIST	REVISIONS			
P	LTR	DESCRIPTION	DATE	DWN	APVD
	AF 50	E REDRAWN PER OG3A-0739-00	29SEP00	JR	DD



SECTION X-X



SECTION Y-Y

- CONTINUOUS STRIP ON REELS
- PARTS TO BE REELED WITH INTERLEAVE PAPER.
- WIRE SIZE IS [#20-#16] AWG.
- INSULATION RANGE IS 2.54-3.56 [.100-.140] DIA.

<input type="checkbox"/> OBSOLETE	TIN	60394-2
<input type="checkbox"/>	-	60394-1
	FINISH	PART NO.

THIS DRAWING IS A CONTROLLED DOCUMENT.		DWN JR RUTH 29SEP00	<b>AMP</b> Tyco Electronics Corporation Harrisburg, PA 17105	
DIMENSIONS: mm [ INCHES ]		CHK MS FEHER 29SEP00		
TOLERANCES UNLESS OTHERWISE SPECIFIED:		APVD D DECKER 29SEP00	NAME RING TONGUE	
0 PLC ± -		PRODUCT SPEC -	SIZE A3	
1 PLC ± -		APPLICATION SPEC -	CAGE CODE 00779	
2 PLC ± 0.38 [.015]		WEIGHT -	DRAWING NO C-60394	
3 PLC ± -			RESTRICTED TO -	
4 PLC ± -			SCALE 4:1	
ANGLES ± -			SHEET 1 OF 1	
MATERIAL H02 BRASS			REV E	
FINISH SEE TABLE		CUSTOMER DRAWING		