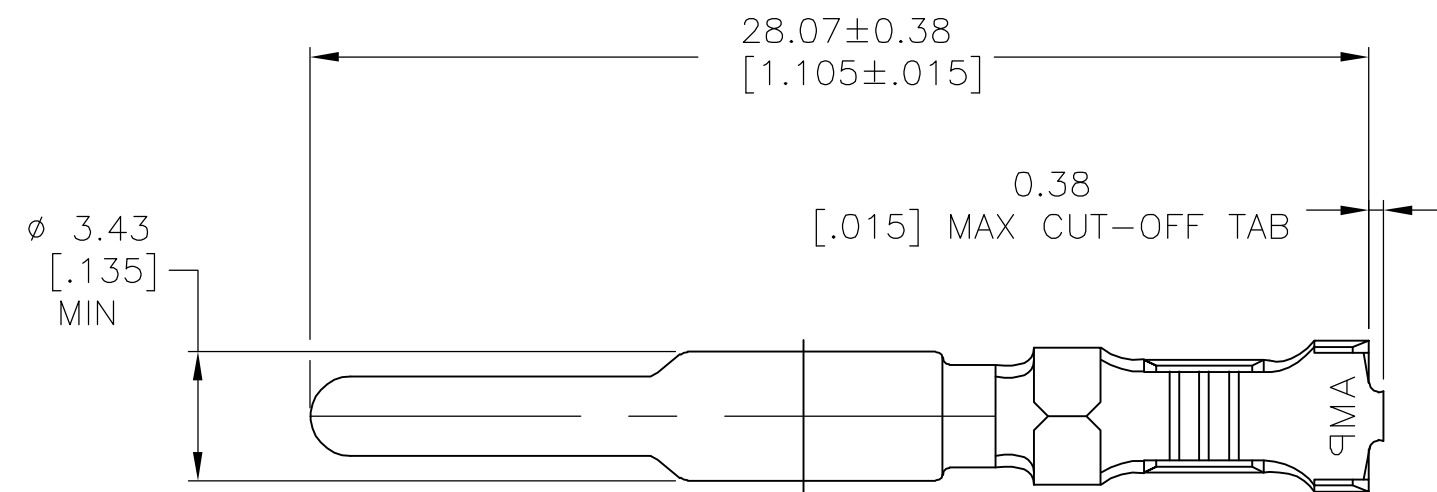
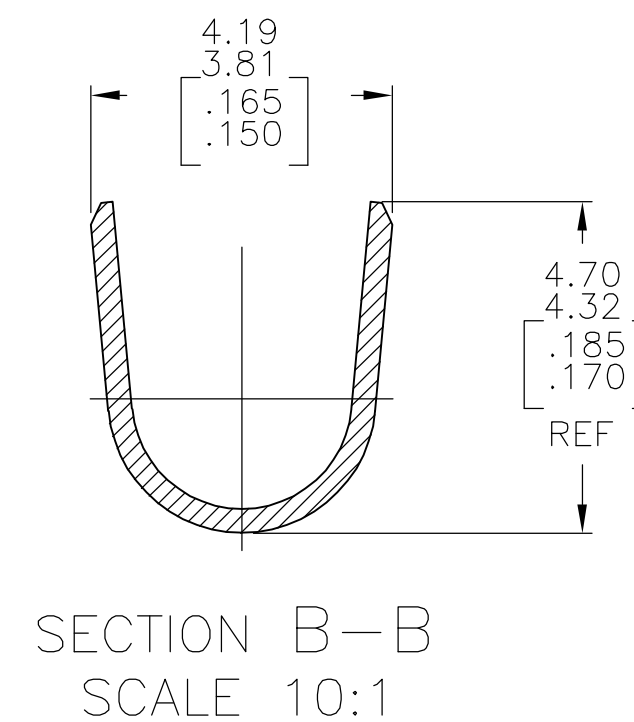
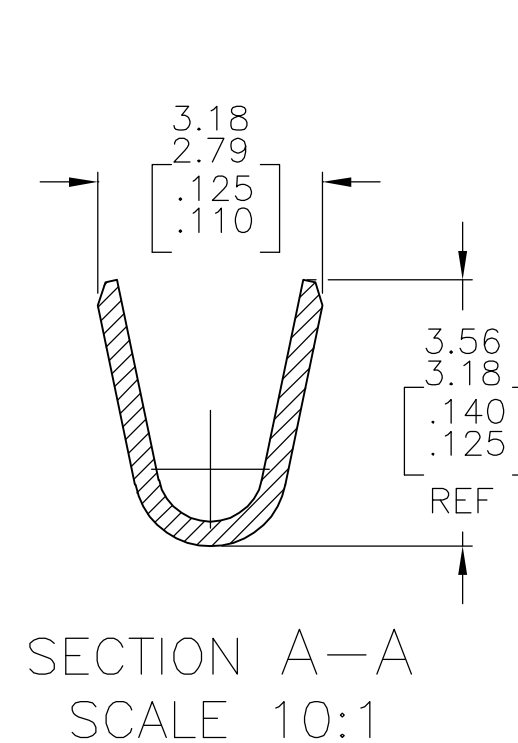
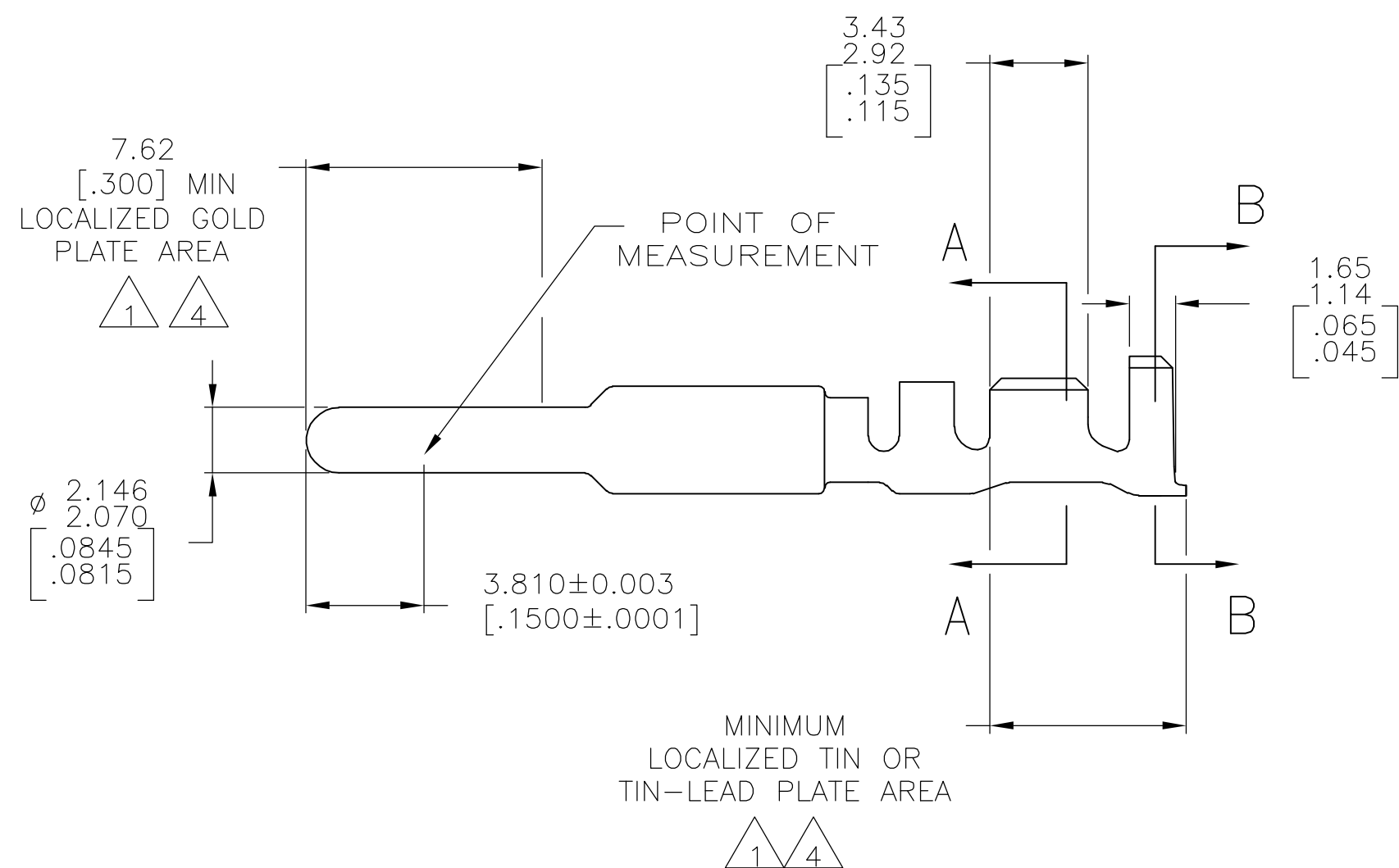


THIS DRAWING IS UNPUBLISHED. RELEASED FOR PUBLICATION  
 © COPYRIGHT BY TYCO ELECTRONICS CORPORATION. ALL RIGHTS RESERVED.

LOC	DIST	REVISIONS			
P	LTR	DESCRIPTION	DATE	DWN	APVD
CM	00	F	EC 0G3B 0215 05	23SEP05	BSV RCJ



- 1. 0.00076[.000030] MIN GOLD AT POINT OF MEASUREMENT IN THE LOCALIZED GOLD PLATE AREA, 0.00127[.000050] MIN TIN-LEAD IN THE TIN-LEAD PLATE AREA, 0.00127[.000050] MIN NICKEL UNDERPLATE ON ENTIRE CONTACT.
- 2. WIRE RANGE: 0.5-2mm<sup>2</sup> [20-14] AWG. INSULATION RANGE: 1.52-3.30[.060-.130] DIA.
- 3. DIMENSIONS IN BRACKETS ARE IN INCHES.
- 4. 0.00076[.000030] MIN GOLD AT POINT OF MEASUREMENT IN THE LOCALIZED GOLD PLATE AREA, 0.00127[.000050] MIN MATTE TIN IN MATTE TIN PLATE AREA, 0.00127[.000050] MIN NICKEL UNDERPLATE ON ENTIRE CONTACT.



FINISH	MATERIAL	PART NUMBER
GOLD 4	0.30[.012] BRASS	1-770254-0
GOLD 1	0.30[.012] BRASS	770254-2
PRE-TIN	0.30[.012] BRASS	770254-1

THIS DRAWING IS A CONTROLLED DOCUMENT.

DWN S. CARPENTER 11AUG03	Tyco Electronics Corporation Harrisburg, PA 17105-3608	SIZE	CAGE CODE	DRAWING NO	RESTRICTED TO	
CHK C. JONES 11AUG03		A2	00779	C=770254	-	
APVD C. JONES 11AUG03		WEIGHT	-	SCALE	5:1	SHEET 1 of 1
PRODUCT SPEC		CUSTOMER DRAWING	SCALE	5:1	SHEET	1 of 1

PIN, GROUNDING, LOOSE PIECE, UNIVERSAL MATE-N-LOK(TM) II

METRIC