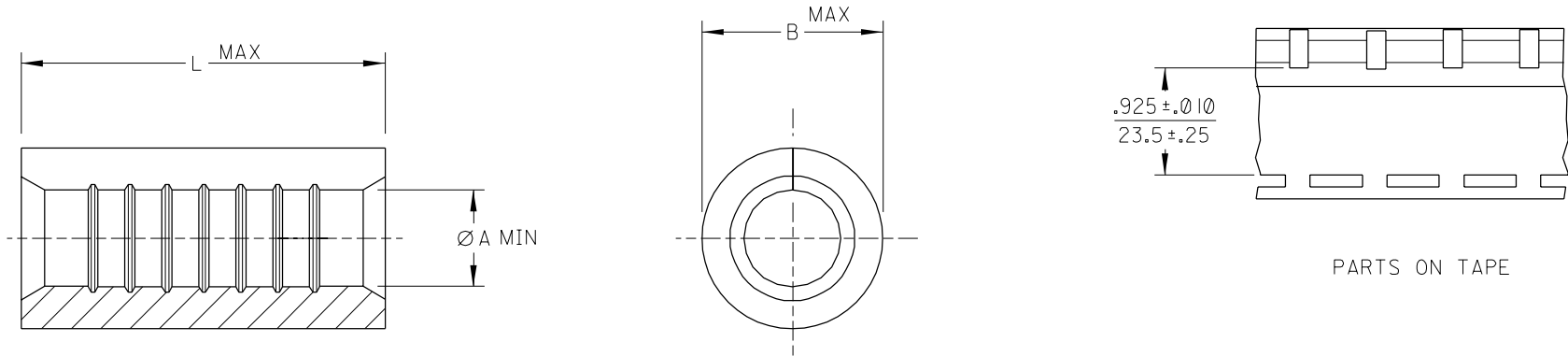


MATERIAL NUMBER	ALTERNATE NUMBER	"L" MAX	"A" MIN.	"B" MAX	PACKAGING
192080001	B-104	.340 (8.60)	.084 (2.10)	.165 (4.20)	LOOSE PIECE
192080002	C-103	.330 (8.40)	.128 (3.30)	.230 (5.80)	
192080003	C-103T	.330 (8.40)	.128 (3.30)	.230 (5.80)	TAPE MOUNTED



PARTS ON TAPE

SALES DRAWING

NOTES:
 1. MATERIAL: COPPER.
 2. PLATING: ELECTRO-TIN.
 3. ALL DIMENSIONS IN INCHES/(MM).

NEW RELEASE EC NO.: ETC2002-0225 DRWN: BRE 02/01/30 CHK: HEB 02/01/30 APPR: RWD 02/01/30	QUALITY SYMBOLS MAJOR $\nabla = 0$ CRITICAL $\nabla C = 0$	GENERAL TOLERANCES: (UNLESS SPECIFIED)		SCALE : <input type="checkbox"/> mm <input checked="" type="checkbox"/> INCH	DESIGN UNITS <input type="checkbox"/> mm <input checked="" type="checkbox"/> INCH	DIMENSIONS: <input type="checkbox"/> mm <input checked="" type="checkbox"/> INCH <input type="checkbox"/> mm ONLY <input type="checkbox"/> INCH ONLY	SHT REV		
		DRAWN BY & DATE BRE 02/01/30	TITLE: PARALLEL CONNECTOR		THIRD ANGLE PROJECTION		REVISION ON CAD ONLY		
		CHECKED BY & DATE HEB 02/01/30	APPROVED BY & DATE RWD 02/01/30	CAD FILENAME SD-19208-002 .DWG		MATERIAL NO. SEE CHART		DRAWING NO. SD-19208-002	SHEET NO.
		4 PLACES $\pm 0.$ $\pm .$ 3 PLACES $\pm 0.$ $\pm .$ 2 PLACES ± 0.13 $\pm .005$ 1 PLACE ± 0.25 $\pm .01$	ANGULAR: 1/2	DRAFT WHERE APPLICABLE MUST REMAIN WITHIN DIMENSIONS		THIS DRAWING CONTAINS INFORMATION THAT IS PROPRIETARY TO MOLEX INCORPORATED AND SHOULD NOT BE USED WITHOUT WRITTEN PERMISSION.		SIZE B	