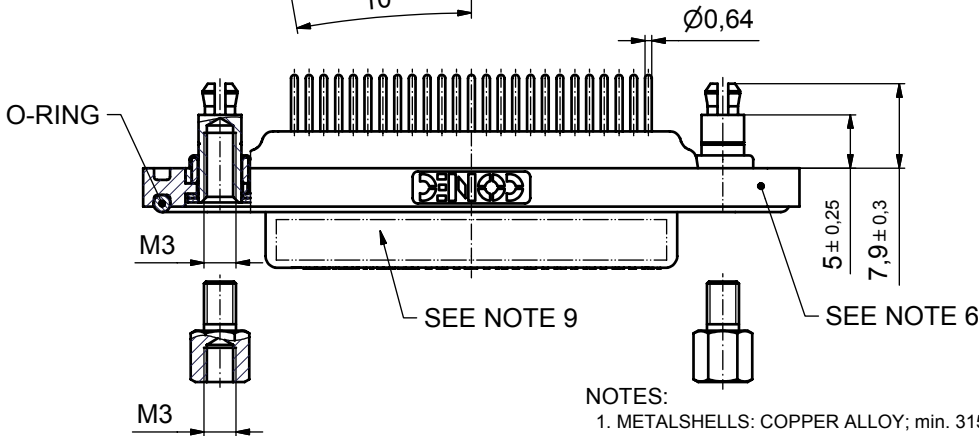
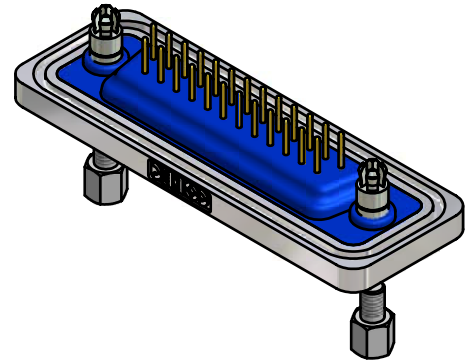
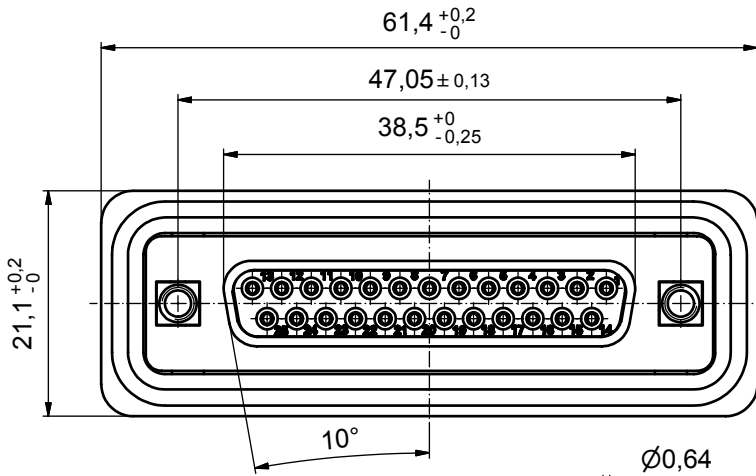


AT ALL TIMES WATER RESISTANT CONNECTORS NOT IN USE SHOULD BE COVERED WITH A CONEC WATER RESISTANT CAP OR WATER TIGHT HOOD.



NOTES:

- METALSHELLS: COPPER ALLOY; min. 315µin TIN over 40-80µin NICKEL
- INSULATORS: PBT GF UL 94 V-0, BLACK
- CONTACTS: COPPER ALLOY
PLATING: 30µin HARD GOLD over min. 50µin NICKEL
- THREADED SPACER CLIP: COPPER ALLOY; min. 200µin TIN over 80µin NICKEL
PCB-HOLE: $\varnothing 3.1 \pm 0.1$; PCB THICKNESS 1.6mm
- COLLAR: COPPER ALLOY; min. 200µin TIN over 80µin NICKEL
- FRAME: ZINC DIE CAST; NICKEL PLATED
- HEXLOCKING SCREW: STAINLESS STEEL
- RECOMMENDED TORQUE FOR MOUNTING SCREW 35Ncm (3.1 in.LB) / max.40Ncm (3.5 in.LB)
- CONNECTOR IS PART MARKED: 6STD25SCR99E10X CONEC ABC

Directive 2002/95/EC
"RoHS"
Compliant

APPROVAL # FREIGABE # DEBLOCAGE # AUTORIZACION # APPROVAL	
CUSTOMER APPROVAL DATE:	
NAME:	TITLE:
COMPANY NAME:	
APPROVAL # FREIGABE # DEBLOCAGE # AUTORIZACION # APPROVAL	

THIS DRAWING MAY NOT BE COPIED OR REPRODUCED IN ANY WAY, AND MAY NOT BE PASSED ON TO A THIRD PARTY WITHOUT WRITTEN PERMISSION. OWNERSHIP AND COPYRIGHT OF CONEC GmbH			
DO NOT ALTER CAD DRAWING BY HAND			
rev.	description	date	name
a	Origin		

tolerance	dim. in mm
date	name
drawn	02.05.08 Lehmenkühler
appd.	05.05.08 Mickenbecker
norm	
d-old	
CONEC	

scale:	2:1 (5:1)	
material:	SEE NOTES	
title:	D-SUB FEMALE 25pos. SOLDER PIN STRAIGHT threaded spacer clip and hexlocking screw	
dwg no:	Inventor	DIN-A3
	15K1A219	sh: 1
part no:	6STD25SCR99E10X	