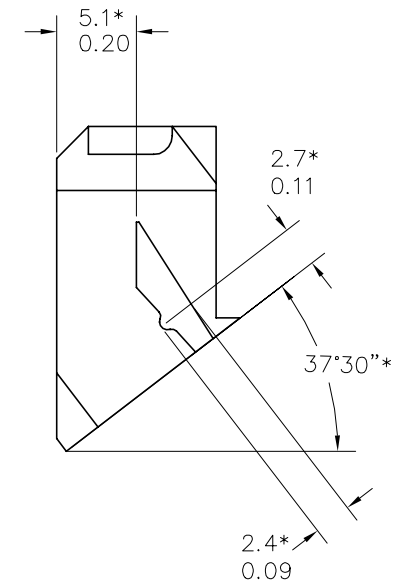
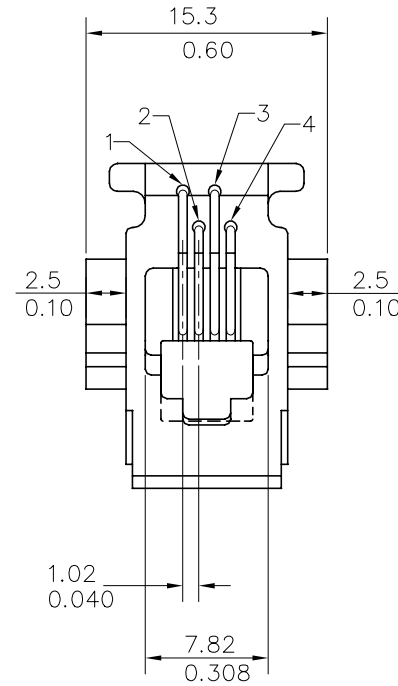
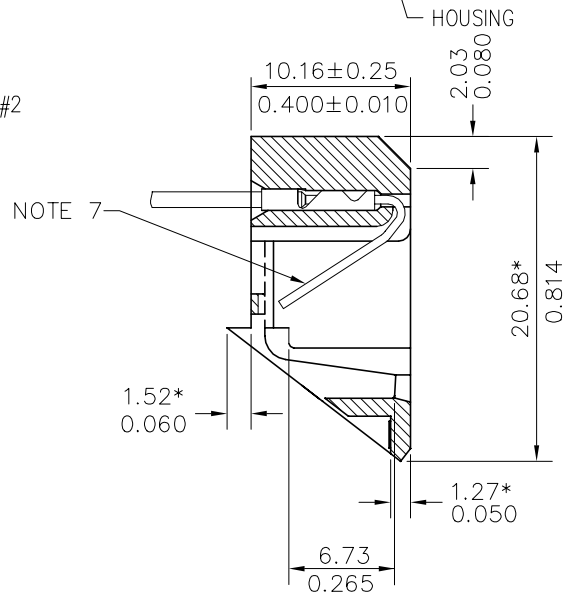
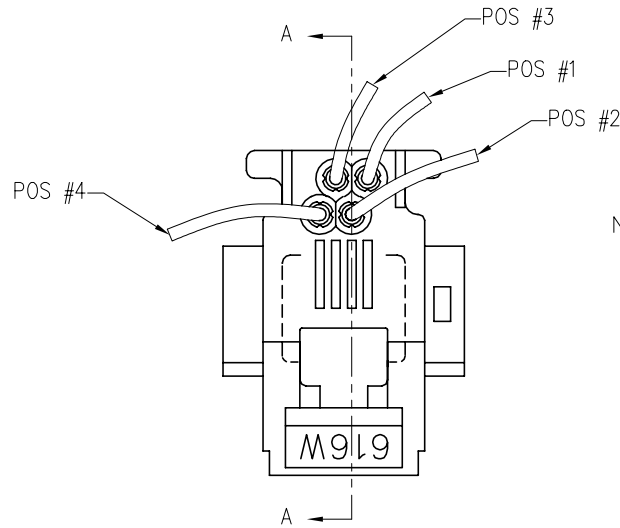
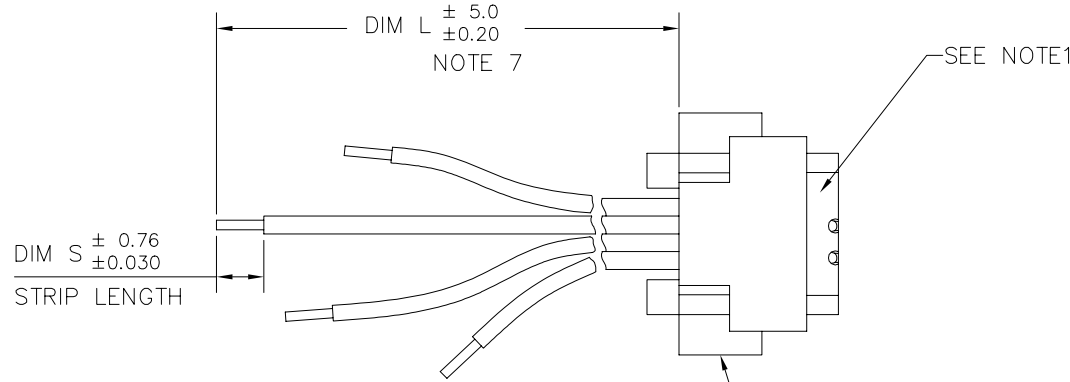


PRODUCT NO.
SEE TABLE OF SHEET 2



mat'l. code		surface ISO1302		tolerance ISO1101 ISO406		projection ISO 1101		product family MOD JACK	
l trechn nodr		date		tolerances unless otherwise specified		mm		title	
V	T90289 TC	08/04/99		0.X±0.3		mm		616W MOD JACK ASSY WITH STRIPPED ENDS	
W	T90356 TC	08/04/99		0.XX±0.15		scale 2.0		dwg no	
X	N05-0064 YS	03/04/05		0'±2'				sheet 1 of 2	
Y	N08-0097 SH MM	09/25/08		dr T.CHIEH		09/07/93		size	
AA	ELX-N-010668 SH MM	3/14/12		engr T.CHIEH		09/07/93		A4	
				chr J.TSAO		09/08/93		type	
				appd J.TSAO		09/08/93		Product Customer Drawing	
sheet index	revision	AA	AA						
	sheet	1	2						

PRODUCT NO.	POS. NO.	WIRE COLOR	DIM L	WIRE STYLE	HOUSING MATERIAL	STRIP LENGTH DIM S	SPLICE FINISH	GOLDED WIRE	REMARK
76361-010 76361-010LF	1 2 3 4	RED WHITE GREEN BLACK	78.00/3.071 190.00/7.480 190.00/7.480 78.00/3.071	E	ABS UL94V-0	3.00/0.118	UNPLATED	5u" Au + high performance lubricant ⑩	FOR 76361-010LF STRIPPED END MUST BE SOLDER DIPPED WITH PURE TIN
76361-014 76361-014LF	1 2 3 4	RED WHITE GREEN BLACK	45.00/1.771 180.00/7.087 180.00/7.087 45.00/1.771	B	ABS UL94V-0 GRAY	3.00/0.118	UNPLATED	5u" Au + high performance lubricant ⑩	
76361-015 76361-015LF	1 2 3 4	RED WHITE GREEN BLACK	40.00/1.575 180.00/7.087 180.00/7.087 40.00/1.575	B	ABS UL94V-0 GRAY	3.00/0.118	UNPLATED	5u" Au + high performance lubricant ⑩	
76361-031 76361-031LF	1 2 3 4	RED WHITE GREEN BLACK	64.00/2.520 218.00/8.590 218.00/8.590 64.00/2.520	B	ABS UL94V-0 GRAY	4.00/0.157	UNPLATED	5u" Au + high performance lubricant ⑩	

NOTES:

- MAT'L HOUSING: SEE TABLE.
- MAT'L GOLD WIRE: PHOSPHOR BRONZE ALLOY UNS C51000.

3. INSULATED WIRE:

STYLE A: 27 AWG. 7 STRANDS OF TINNED COPPER WIRE, PVC INSULATION.

STYLE B: 27 AWG. 7 STRANDS OF TINNED COPPER WIRE, TOP COATED WITH TIN PVC INSULATION.

STYLE C: 26 AWG. 7 STRANDS OF TINNED COPPER WIRE, TOP COATED WITH TIN PVC INSULATION.

STYLE D: 26 AWG. 7 STRANDS OF TINNED COPPER WIRE, PVC INSULATION.

STYLE E: FLEXIBLE WIRE. 0.08mm DIA. X 19 CONDUCTOR BARE COPPER WIRE. UNPLATED IN SOLD STRAND. PVC INSULATION.

- FOR FUNCTIONAL MECHANICAL AND VISUAL REQUIREMENTS. SEE PRODUCT SPECIFICATION BUS-12-003
- TERMINAL MAT'L: BRASS ALLOY, PLAIN.
- ALL DIM MARKED WITH ASTERISKS ARE REF. FOR MOUNTING.
- WHEN A 4-POSITION PLUG IS INSERTED INTO THE HSG. THE CONTACT WIRE MAY NOT PROTRUDE OUT OF THE REAR WALL OF HSG.

8. IF LF P/N THE PRODUCT MEETS EUROPEAN UNION DIRECTIVES AND OTHER COUNTRY REGULATIONS AS DESCRIBED IN GS-22-008.

9. IF LF P/N THE PACKAGING MEETS GS-14-920 SPECIFICATION.

⑩ EQUIVALENT THICKNESS Au AND GXT PLATING HAVE SAME FUNCTION AND THEY ARE ALTERNATIVE BY THE CUSTOEMR .

mat'l. code		surface <input checked="" type="checkbox"/> ISO1302		tolerance <input checked="" type="checkbox"/> ISO1101 <input checked="" type="checkbox"/> ISO406		projection		product family MOD JACK		
l t r e c n n o d r		date		tolerances unless otherwise specified		mm		616W MOD JACK ASSY WITH STRIPPED ENDS		
V	T90289	TC	08/04/99	angle	0.X±0.3	scale 2.0		dwg no		
W	T90356	TC	08/04/99	0°±2'	0.XX±0.15			sheet 2 of 2		
X	N05-0064	YS	03/04/05		0.XXX±0.05			size		
Y	N08-0097	SH MM	09/25/08	dr	T.CHIEN	09/07/93			76361	
AA	ELX-N-010668	SH MM	3/14/12	enr	T.CHIEN	09/07/93			A4	
				chr	J.TSAO	09/08/93			type	
				appd	J.TSAO	09/08/93	Product Customer Drawing			
sheet index	revision sheet									