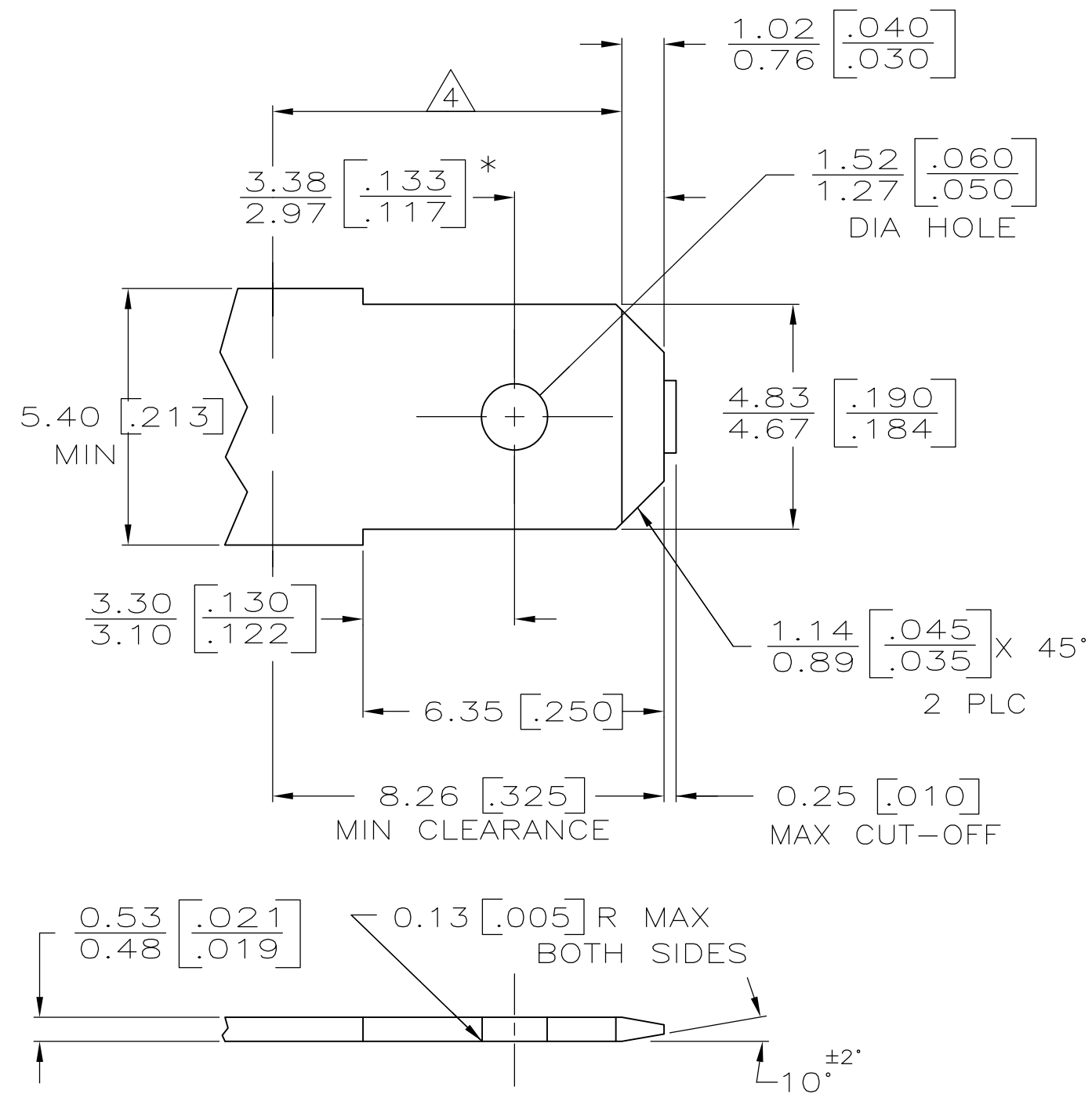


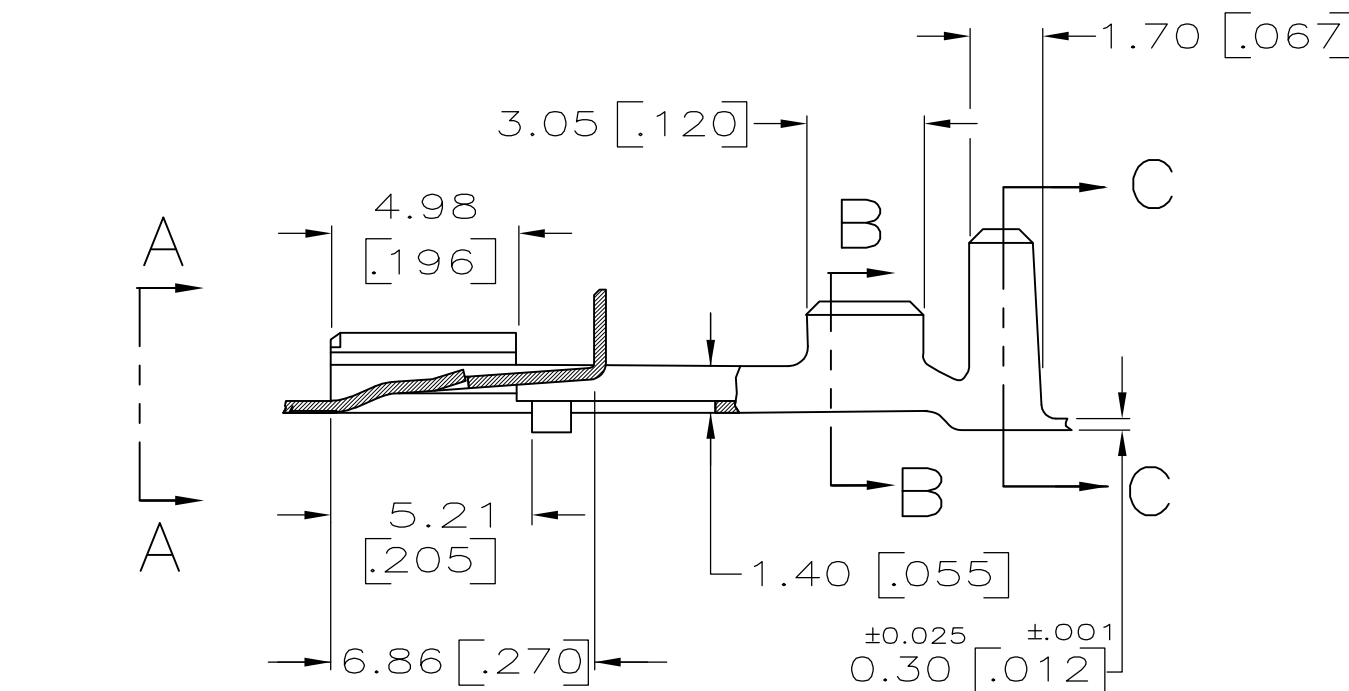
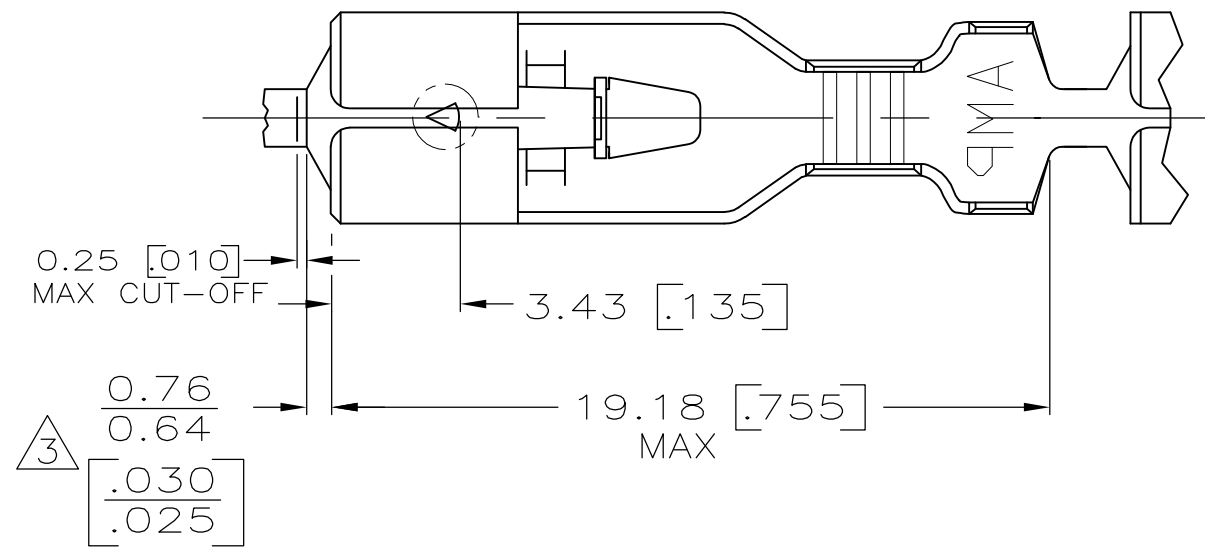
THIS DRAWING IS UNPUBLISHED. RELEASED FOR PUBLICATION
 © COPYRIGHT - By - ALL RIGHTS RESERVED.

LOC	DIST	REVISIONS			
P	LTR	DESCRIPTION	DATE	DWN	APVD
AF	50	N	REVISED PER ECR-12-013486	06JAN13	KH KR

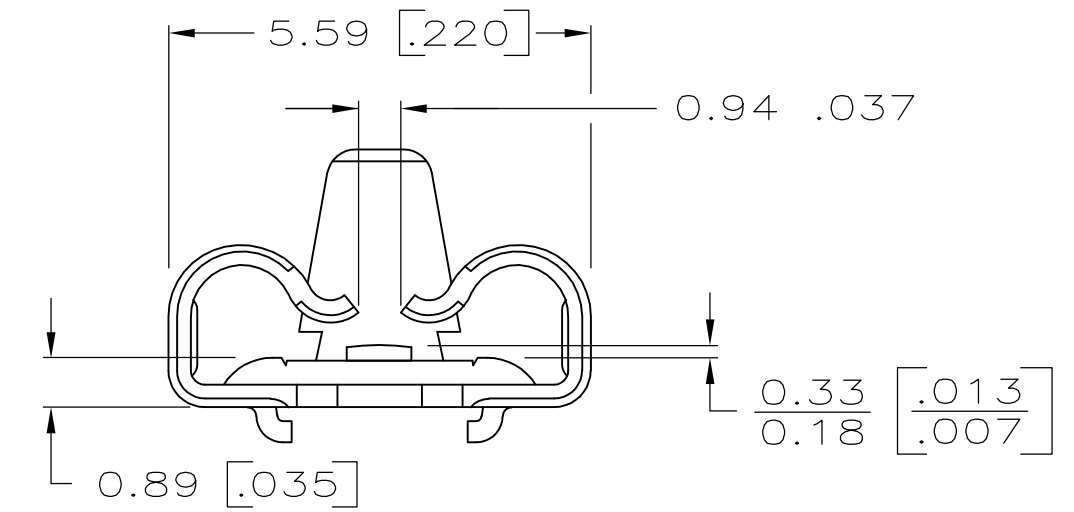
SUGGESTED MATING TAB



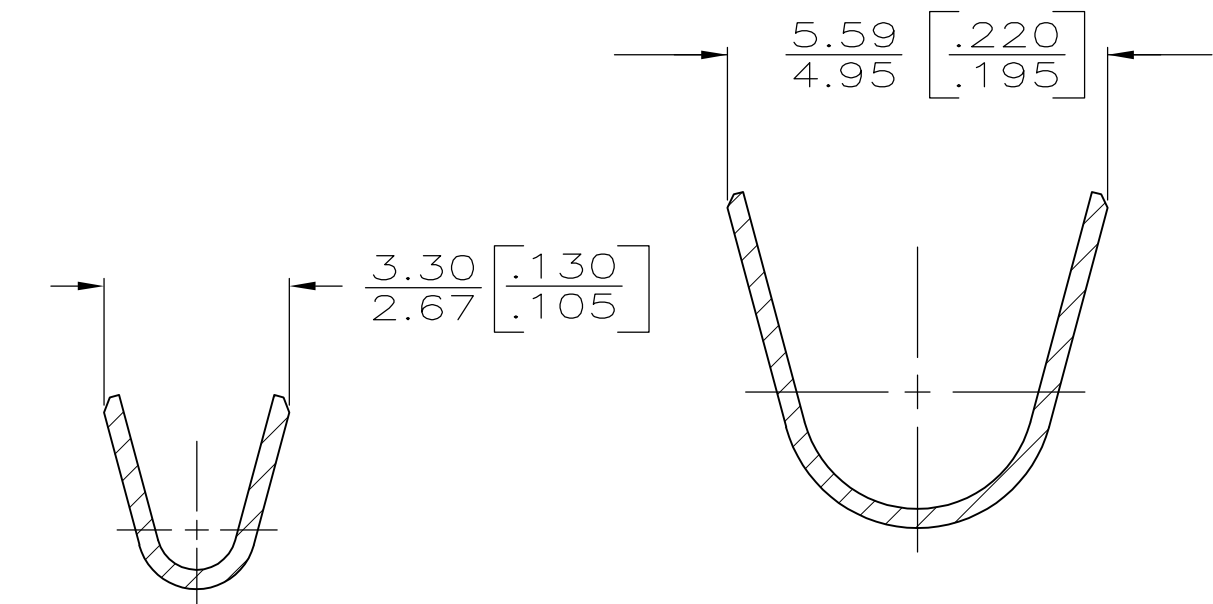
- 1 MATL: #2 HARD BRASS OR NICKEL PLATE STEEL.
- 2 NO BURRS PERMISSIBLE AT HOLE.
- 3 TIN PLATING IS REQUIRED ON BRASS WHEN TERMINAL TEMPERATURE IS OVER 225°F
- 4 MUST BE FLAT WITHIN 0.076 [.003] OVER THIS LENGTH.
- 5 HOLE MUST BE SYMMETRICAL ABOUT TAB ϕ WITHIN 0.076 [.003].
- * TO BE USED ONLY WHEN SHOULDER IS ELIMINATED.



- 1 DIMENSIONS IN BRACKETS ARE IN INCHES.
- 2 CONTINUOUS STRIP ON REELS.
- 3 THE 0.76 [.030] / 0.64 [.025] DIMENSION MUST BE MAINTAINED BY THE APPLICATOR CUT-OFF TO ENSURE THE PROPER LOCKING FUNCTION OF THE RECEPTACLE.
- 4 WIRE SIZES #20-#16, INSULATION RANGE IS 2.29-3.30 [.090-.130] DIA.



VIEW A-A



SECTION B-B

SECTION C-C

THIS DRAWING IS A CONTROLLED DOCUMENT.		DWN	JR RUTH	2/28/87			63195-2		
DIMENSIONS: mm [INCHES]		CHK	G YETTER	3/9/87			TIN		63195-1
TOLERANCES UNLESS OTHERWISE SPECIFIED:		APVD	J GILLESPIE	3/9/87			FINISH		PART NUMBER
0 PLC ± - 1 PLC ± - 2 PLC ± - 3 PLC ± 0.25 [.010] 4 PLC ± - ANGLES ± -		PRODUCT SPEC	RECEPTACLE, POSITIVE LOCK, .187 SERIES						
MATERIAL: BRASS		FINISH	SEE TABLE		WEIGHT	A2 00779		C=63195	
		CUSTOMER DRAWING			SCALE	NTS	SHEET	1 OF 1	