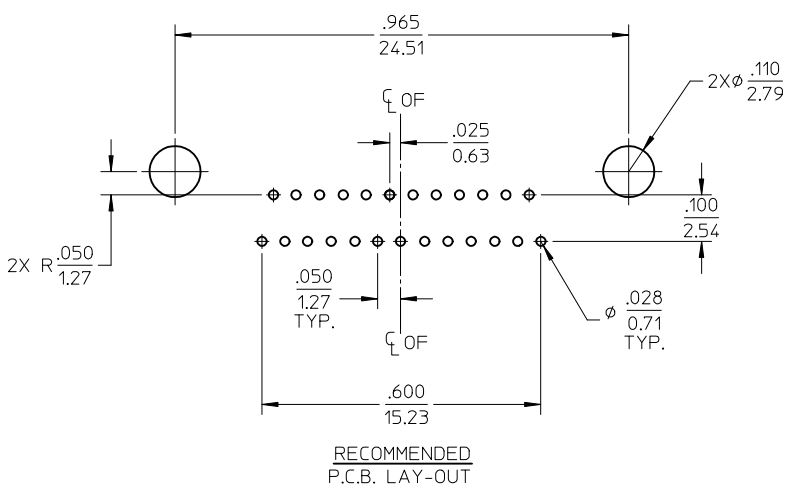
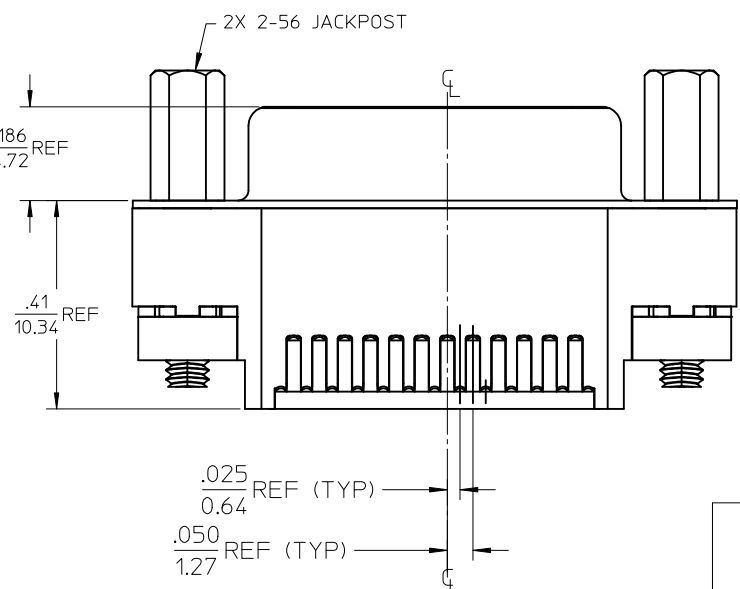
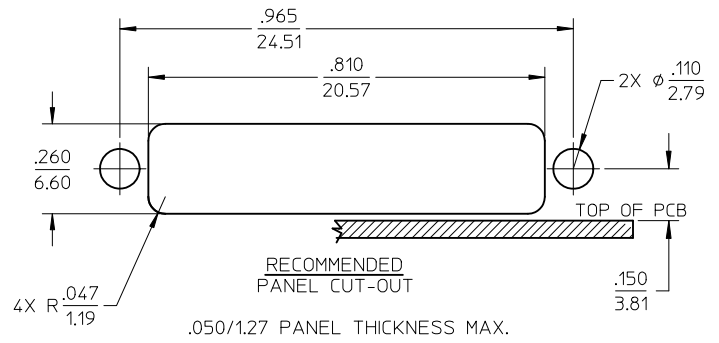
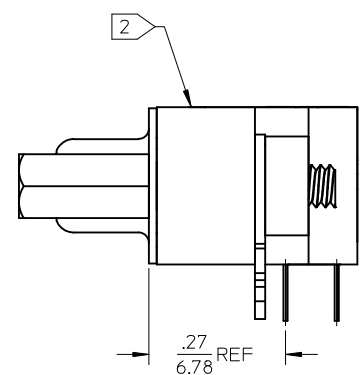
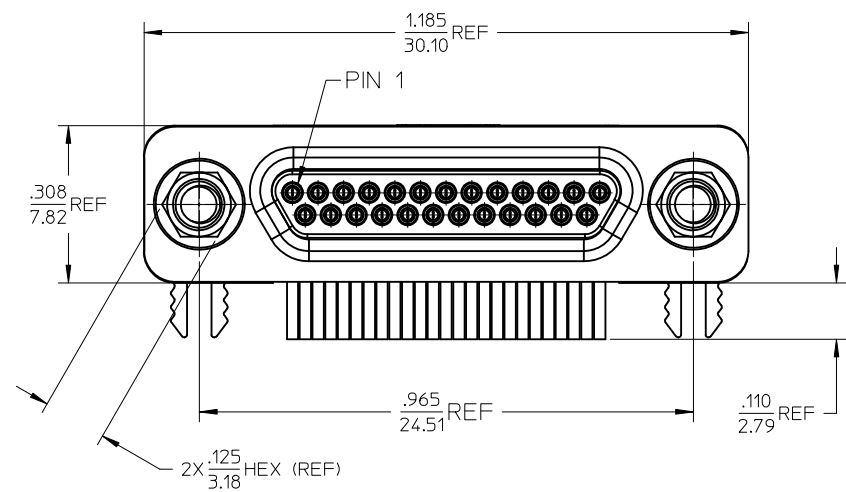


10 9 8 7 6 5 4 3 2 1



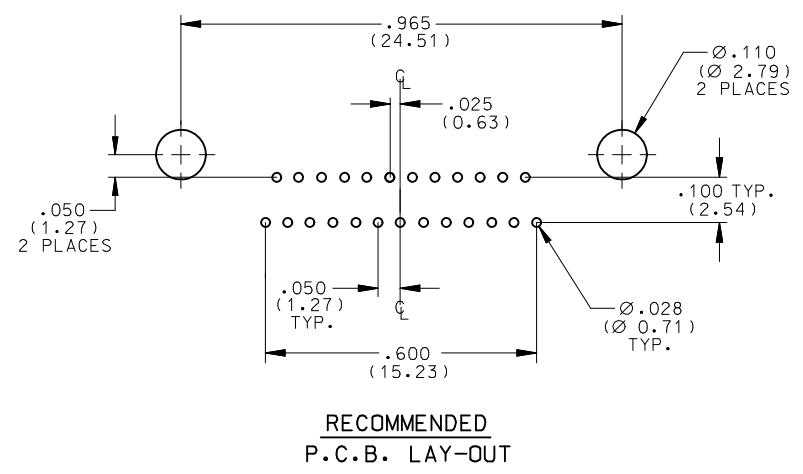
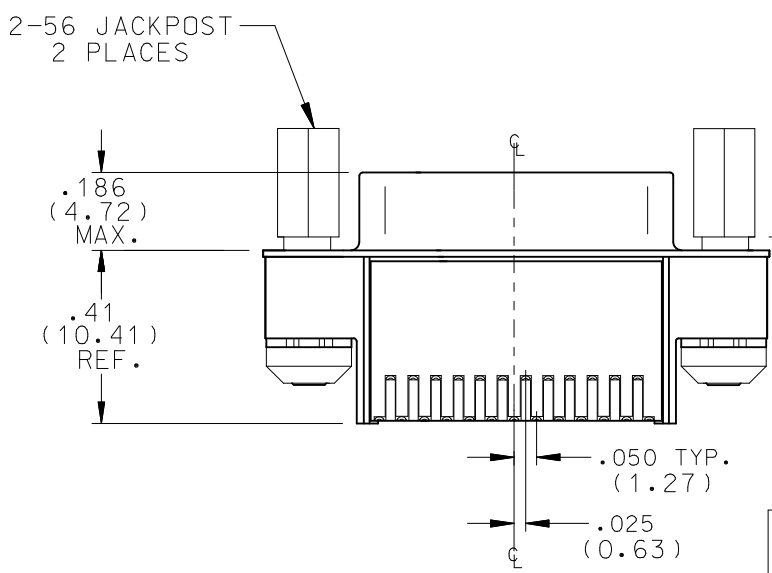
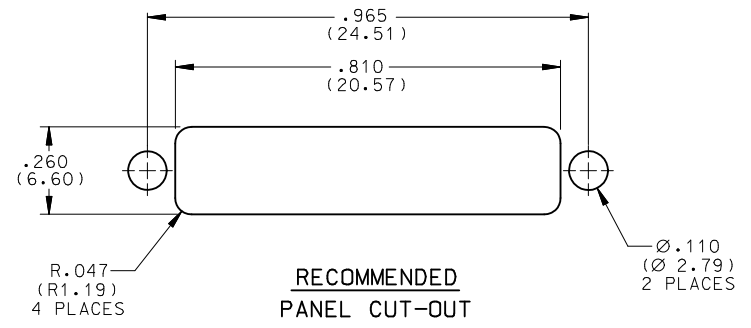
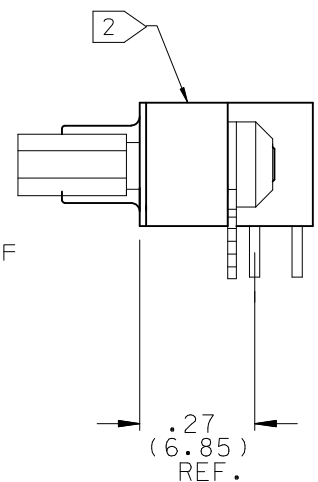
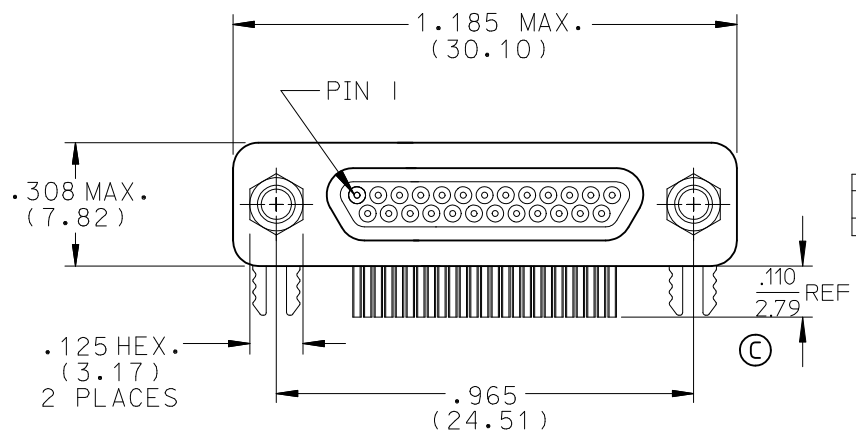
- NOTES:  
 1. REFER TO PS-83421-9000 FOR PRODUCT SPEC.  
 2. DATE CODE AREA.  
 3. TORQUE JACKPOST TO 2.5 +1-0 IN/LBS  
 4. ROHS COMPLIANT.

<b>REDRAWN</b> EC NO: WNA2011-0541 DRWN: BRUPERT CHKD: APPR: JFMURPHY 2011/05/09 2011/08/13	QUALITY SYMBOLS ▽=0 ◻=0	GENERAL TOLERANCES (UNLESS SPECIFIED)		DIMENSION STYLE		SCALE	DESIGN UNITS	THIRD ANGLE PROJECTION		
				IN/MM		4:1	INCH			
				DRAWN BY	DATE	TITLE				
				AW	22/01/01	COMM-D, PLG, RT ANG SIZE 25				
		4 PLACES	± ---	± ---	CHECKED BY	DATE				
		3 PLACES	± ---	± ---	AW	22/01/01				
		2 PLACES	± ---	± ---	APPROVED BY	DATE				
		1 PLACE	± ---	± ---	JFMURPHY	2011/08/13				
		ANGULAR ± ---°		MATERIAL NO.		DOCUMENT NO.		SHEET NO.		
		DRAFT WHERE APPLICABLE MUST REMAIN WITHIN DIMENSIONS		836149018		SD-83614-9018		1 OF 1		
		SIZE	THIS DRAWING CONTAINS INFORMATION THAT IS PROPRIETARY TO MOLEX INCORPORATED AND SHOULD NOT BE USED WITHOUT WRITTEN PERMISSION							
		A3								

9 8 7 6 5 4 3 2 1

83614

REV	DATE	ECN NO.	APPVD BY	REL BY
A	22JAN01	UM2001-0222		
B	01MAY01	UM2001-0284		



NOTES:  
 1. REFER RO PS-83421-9000 FOR PRODUCT SPEC  
 2. DATE CODE AREA.  
 3. ROHS COMPLIANT

REV PIN LEN EC NO: WNA2010-0482 DRAWN: RUPERT 2010/02/09 CHKD: B. RUPERT 2010/04/21 APPR: J. MURPHY 2010/04/21	QUALITY SYMBOLS	GENERAL TOLERANCES (UNLESS SPECIFIED)	DIMENSION STYLE		SCALE	DESIGN UNITS	THIRD ANGLE PROJECTION		
	▽=0 ▽=0		mm	INCH	IN/MM	INCH			
			4 PLACES	±---	±---	DRAWN BY		DATE	TITLE
			3 PLACES	±---	±---	AW		22/01/01	
	2 PLACES	±---	±---	CHECKED BY	DATE	CKT CONN, COMM-D SIZE 25			
	1 PLACE	±---	±---	AW	22/01/01				
		ANGULAR ±---°		APPROVED BY	DATE	MOLEX INCORPORATED			
				AW	22/01/01				
				MATERIAL NO.	836149018		DOCUMENT NO.	SD-83614-9018	
		DRAFT WHERE APPLICABLE MUST REMAIN WITHIN DIMENSIONS	SIZE	THIS DRAWING CONTAINS INFORMATION THAT IS PROPRIETARY TO MOLEX INCORPORATED AND SHOULD NOT BE USED WITHOUT WRITTEN PERMISSION			SHEET NO.	1 OF 1	