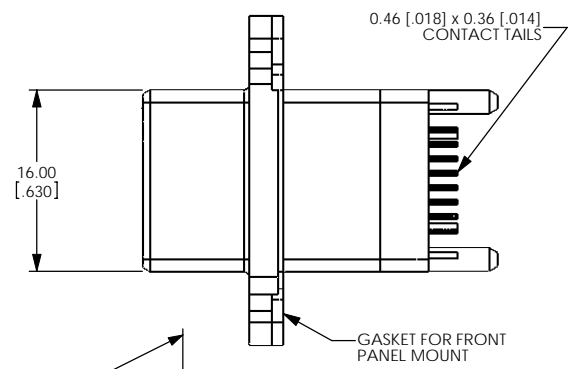
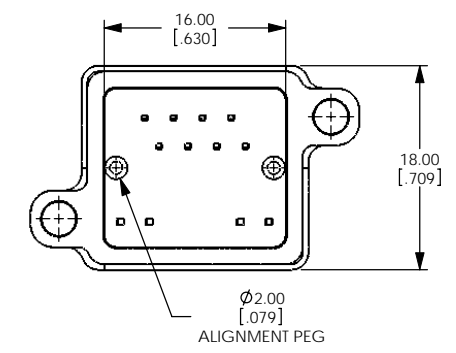
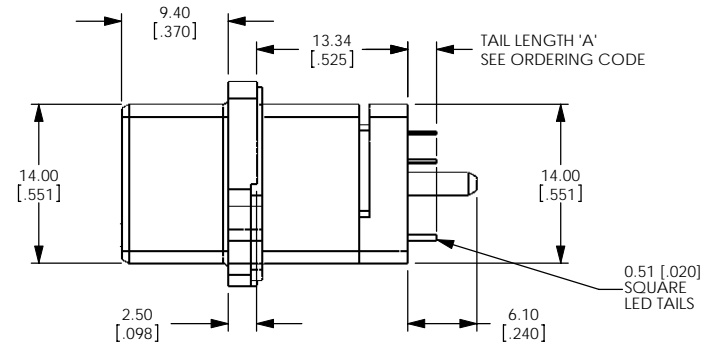
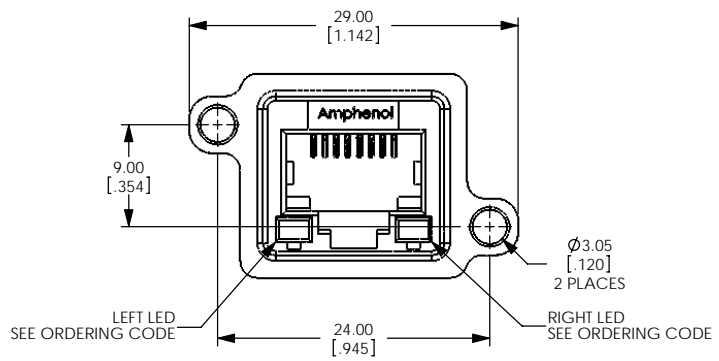
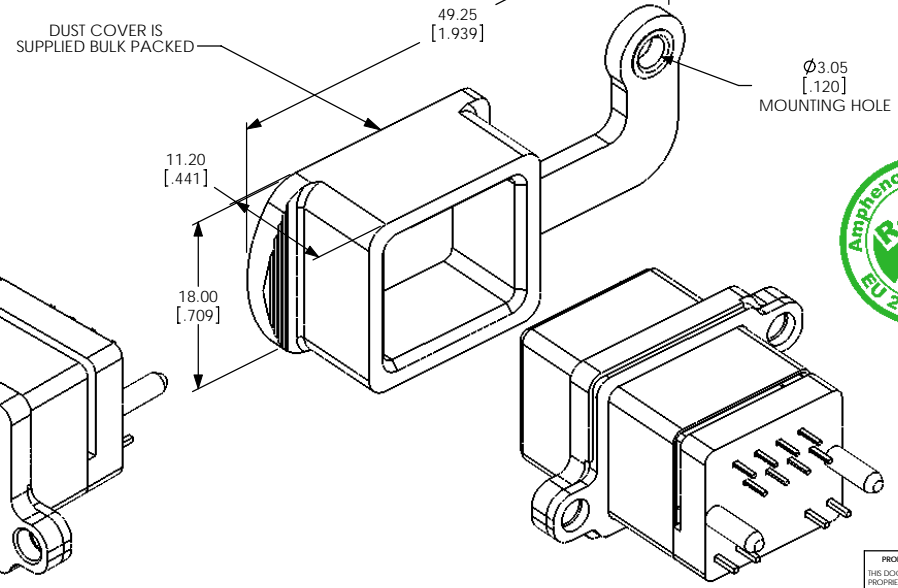


REVISIONS			
REV	ECN, ERN NO.	DATE	APPRD.
A	PRODUCT DRAWING	TBD	K.L.



ORDERING CODE: **MRJ-518X-X1**

- SERIES, RUGGED RJ
- RECEPTACLE
- VERTICAL MOUNT WITH DUST COVER SUPPLIED
- NUMBER OF CONTACTS
- LED OPTION
  - 0=NONE
  - 1=GREEN LEFT, YELLOW RIGHT
  - 4=YELLOW LEFT, GREEN RIGHT
  - 5=GREEN LEFT, GREEN RIGHT
- CONTACT TAIL OPTION
  - 0: TAIL LENGTH A=2.54 [.100]
  - B: TAIL LENGTH A=3.81 [.150]
- SINGLE PORT

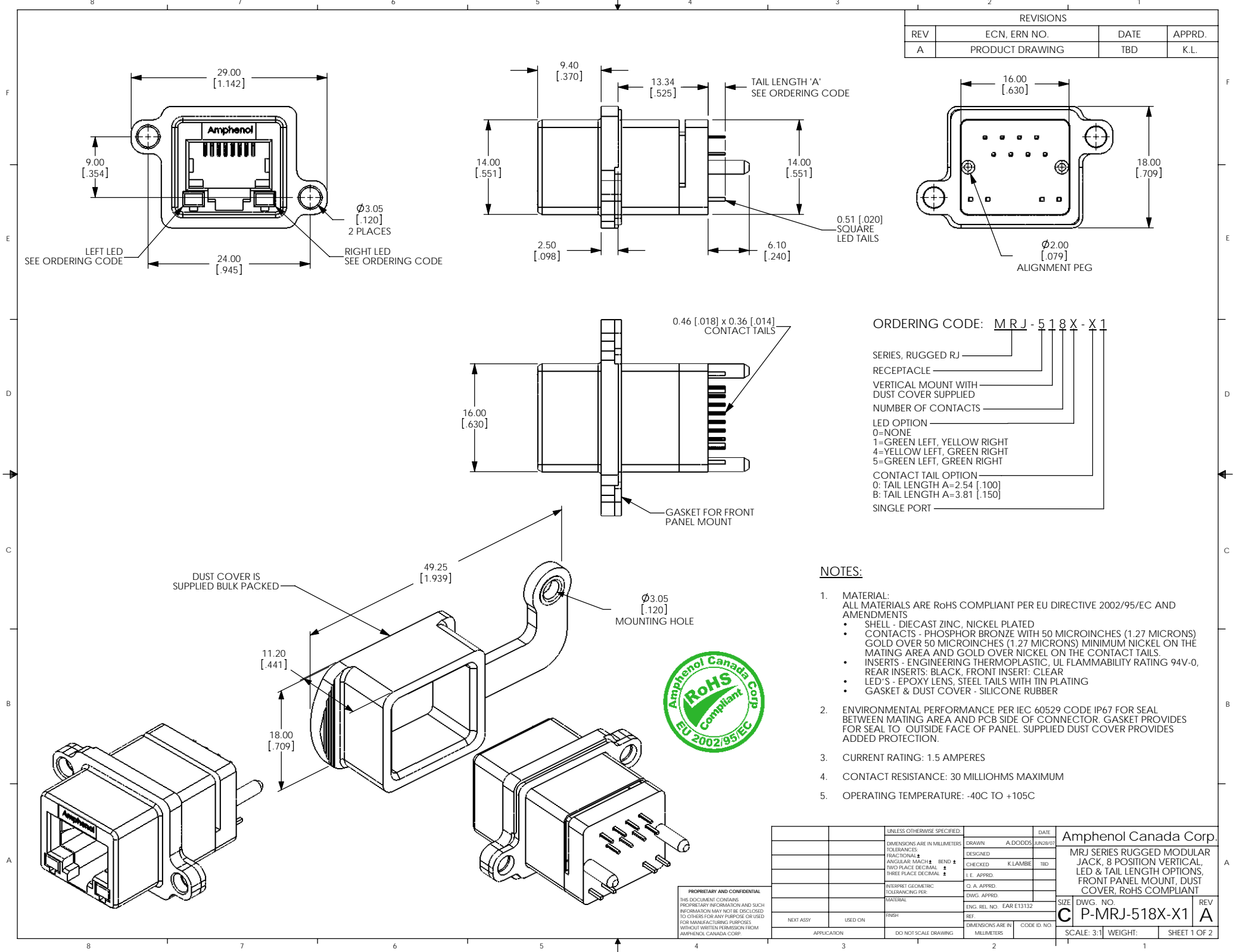


**NOTES:**

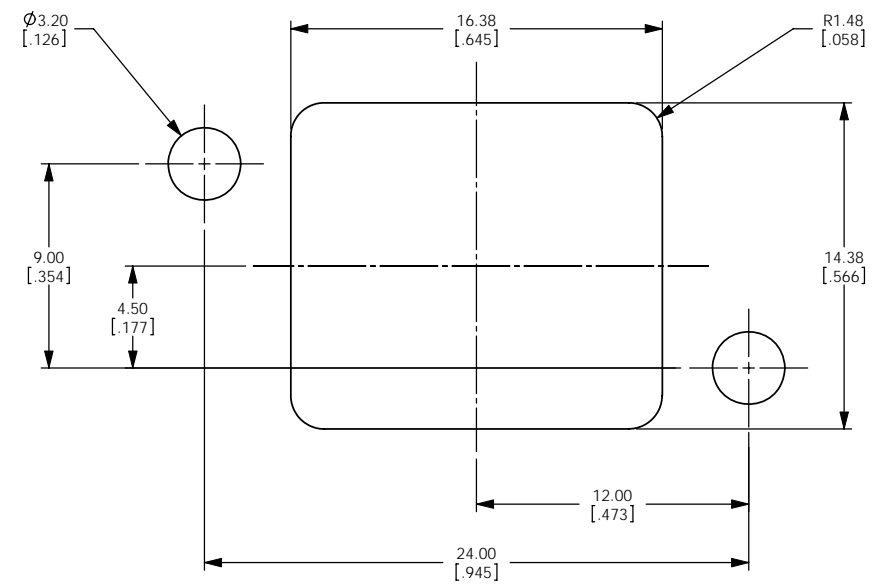
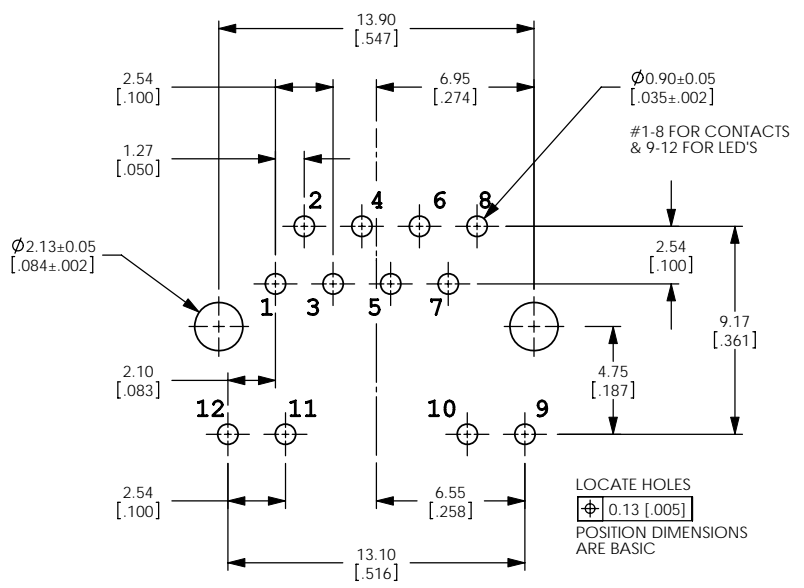
- MATERIAL: ALL MATERIALS ARE RoHS COMPLIANT PER EU DIRECTIVE 2002/95/EC AND AMENDMENTS
  - SHELL - DIECAST ZINC, NICKEL PLATED
  - CONTACTS - PHOSPHOR BRONZE WITH 50 MICROINCHES (1.27 MICRONS) GOLD OVER 50 MICROINCHES (1.27 MICRONS) MINIMUM NICKEL ON THE MATING AREA AND GOLD OVER NICKEL ON THE CONTACT TAILS.
  - INSERTS - ENGINEERING THERMOPLASTIC, UL FLAMMABILITY RATING 94V-0, REAR INSERTS: BLACK, FRONT INSERT: CLEAR
  - LED'S - EPOXY LENS, STEEL TAILS WITH TIN PLATING
  - GASKET & DUST COVER - SILICONE RUBBER
- ENVIRONMENTAL PERFORMANCE PER IEC 60529 CODE IP67 FOR SEAL BETWEEN MATING AREA AND PCB SIDE OF CONNECTOR. GASKET PROVIDES FOR SEAL TO OUTSIDE FACE OF PANEL. SUPPLIED DUST COVER PROVIDES ADDED PROTECTION.
- CURRENT RATING: 1.5 AMPERES
- CONTACT RESISTANCE: 30 MILLIOHMS MAXIMUM
- OPERATING TEMPERATURE: -40C TO +105C

UNLESS OTHERWISE SPECIFIED:		DATE		Amphenol Canada Corp.
DIMENSIONS ARE IN MILLIMETERS		DRAWN	A. DODDS	
TOLERANCES:		DESIGNED		MRJ SERIES RUGGED MODULAR JACK, 8 POSITION VERTICAL, LED & TAIL LENGTH OPTIONS, FRONT PANEL MOUNT, DUST COVER, RoHS COMPLIANT
FRACTIONAL ±		CHECKED		
ANGULAR MATCH ± BEND ±		K. LAMBIE		
TWO PLACE DECIMAL ±		I. E. APPRD.		
THREE PLACE DECIMAL ±		D. A. APPRD.		SIZE DWG. NO.
INTERPRET GEOMETRIC TOLERANCING PER:		DWG. APPRD.		<b>C</b>
MATERIAL		ENG. REL. NO. EAR E13132		<b>P-MRJ-518X-X1</b>
REF.		DIMENSIONS ARE IN MILLIMETERS		REV <b>A</b>
APPLICATION	DO NOT SCALE DRAWING	CODE ID. NO.	SCALE: 3:1	WEIGHT:

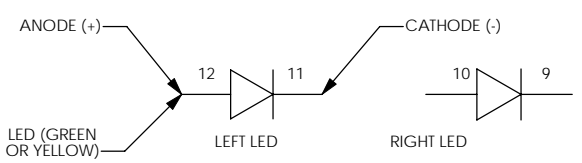
PROPRIETARY AND CONFIDENTIAL  
THIS DOCUMENT CONTAINS PROPRIETARY INFORMATION AND SUCH INFORMATION MAY NOT BE DISCLOSED TO OTHERS FOR ANY PURPOSE OR USED FOR MANUFACTURING PURPOSES WITHOUT WRITTEN PERMISSION FROM AMPHENOL CANADA CORP.



REVISIONS			
REV	ECN, ERN NO.	DATE	APPRD.
A	PRODUCT DRAWING	TBD	K.L.



**RECOMMENDED PANEL CUTOUT**  
(FRONT OF PANEL)



**RECOMMENDED P.C.B. LAYOUT**  
(COMPONENT SIDE OF BOARD)



**PROPRIETARY AND CONFIDENTIAL**  
 THIS DOCUMENT CONTAINS PROPRIETARY INFORMATION AND SUCH INFORMATION MAY NOT BE DISCLOSED TO OTHERS FOR ANY PURPOSE OR USED FOR MANUFACTURING PURPOSES WITHOUT WRITTEN PERMISSION FROM AMPHENOL CANADA CORP.

UNLESS OTHERWISE SPECIFIED:		DATE	Amphenol Canada Corp.
DIMENSIONS ARE IN MILLIMETERS		A. DODDS JUN28/07	
TOLERANCES:		DRAWN	MRJ SERIES RUGGED MODULAR JACK, 8 POSITION VERTICAL, LED & TAIL LENGTH OPTIONS, FRONT PANEL MOUNT, DUST COVER, RoHS COMPLIANT
FRACTIONAL ±		DESIGNED	
ANGULAR MATCH ± BEND ±		CHECKED	
TWO PLACE DECIMAL ±		K. LAMBIE	
THREE PLACE DECIMAL ±		I. E. APPRD.	SIZE DWG. NO.
INTERPRET GEOMETRIC TOLERANCING PER:		D. A. APPRD.	<b>C</b> P-MRJ-518X-X1 <b>A</b>
MATERIAL		DWG. APPRD.	SCALE: 6:1
FINISH		ENG. REL. NO. EAR E13132	WEIGHT:
APPLICATION	DO NOT SCALE DRAWING	DIMENSIONS ARE IN MILLIMETERS	SHEET 2 OF 2