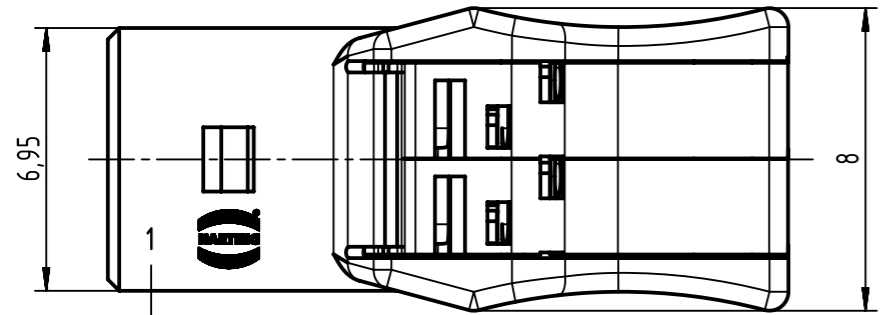
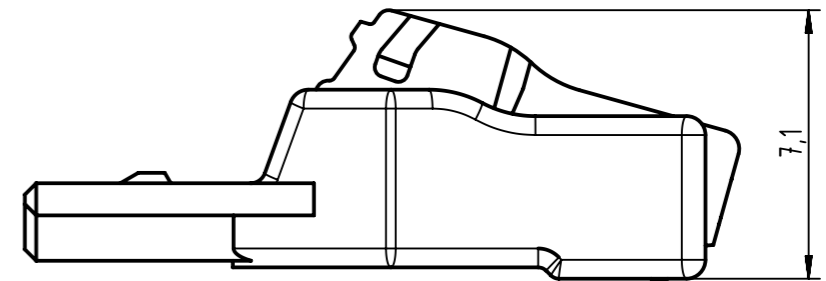
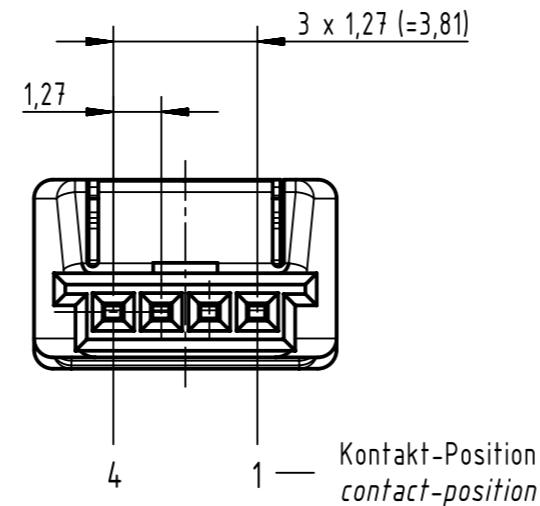
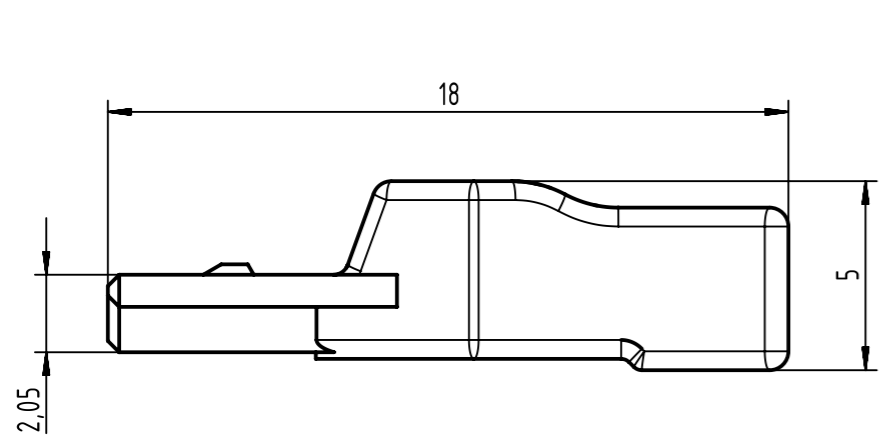
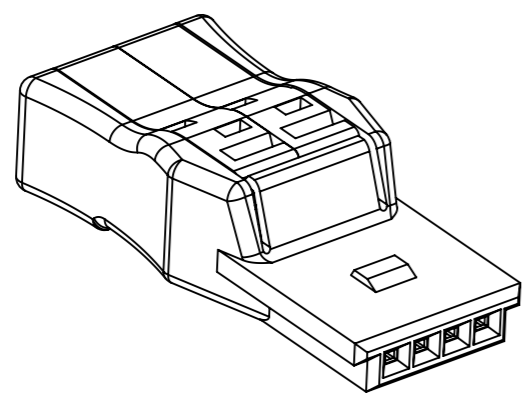
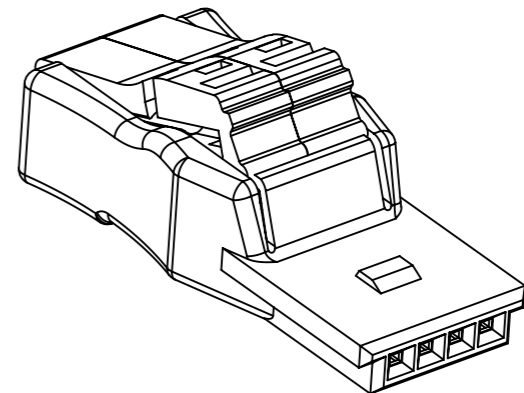


Liefer- und Montagezustand
delivery- and assembly condition



1 — Kontakt-Position
contact-position



further information see: DS 14312100601

	All rights reserved Department EC PD - DE	All Dimensions in mm Original Size DIN A3		Scale 5:1	Free size tol.	Ref. Sub. Mod: ECM 50000063214 18.06.2013		
		Created by HASSE	Inspected by LUETTERMANN	Standardisation KOHLER	Date 2013-06-18	State Final Release	Doc-Key / ECM-Nr. 100233468/UGD/008/B 50000063214	
HARTING Electronics GmbH D-32339 Espelkamp		Title har-flexicon 1,27 female connector			Type TB	Number 14310410301000	Rev. B	Page 1/1