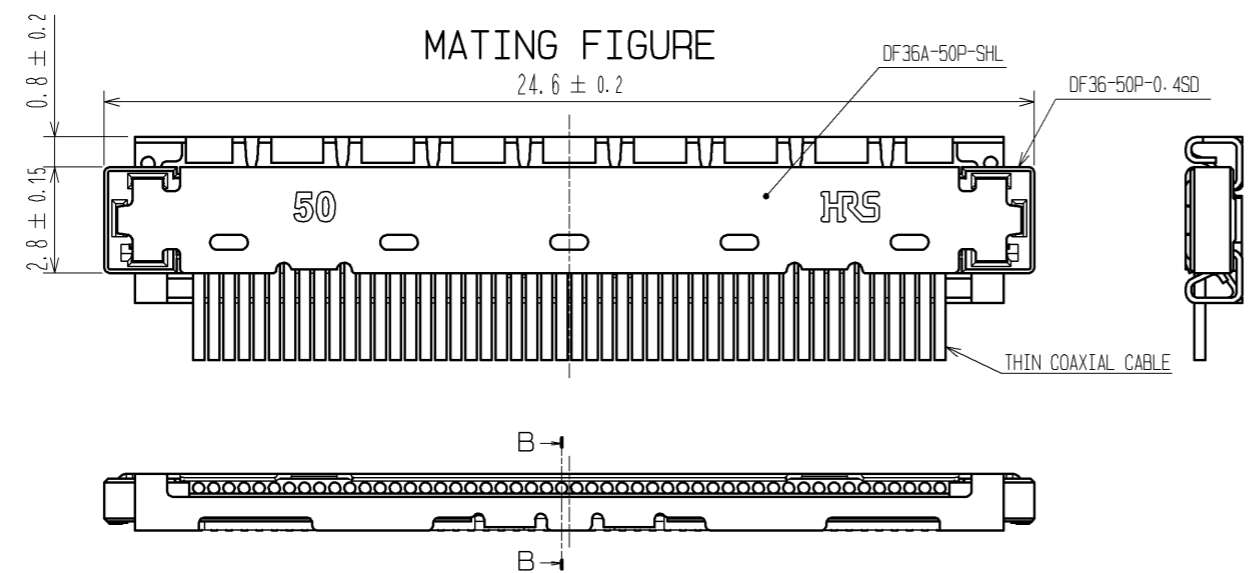
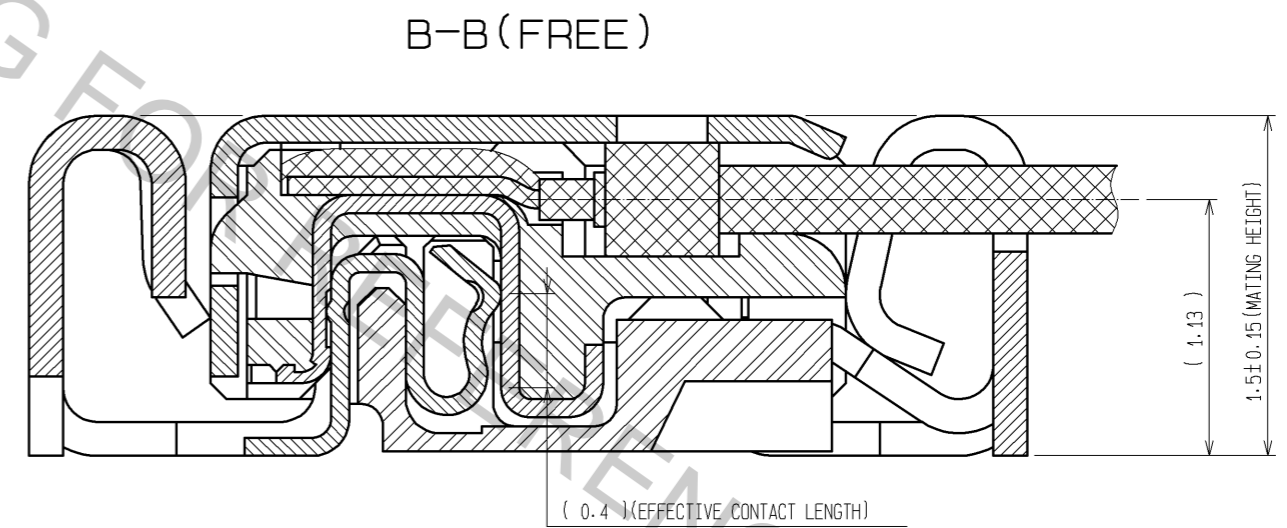
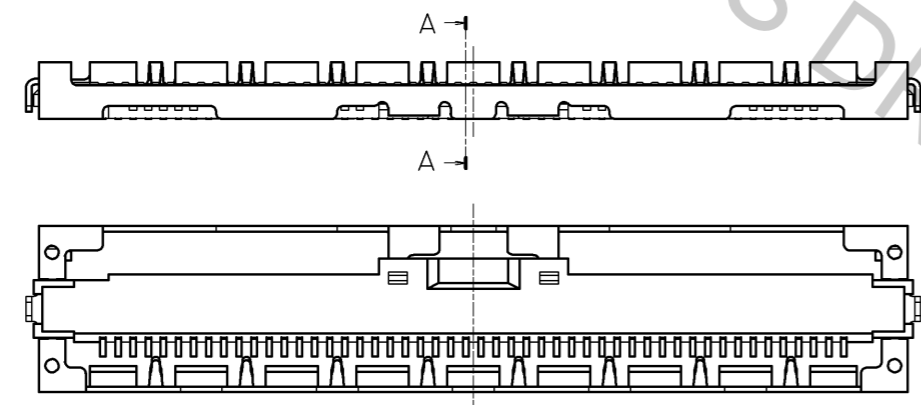
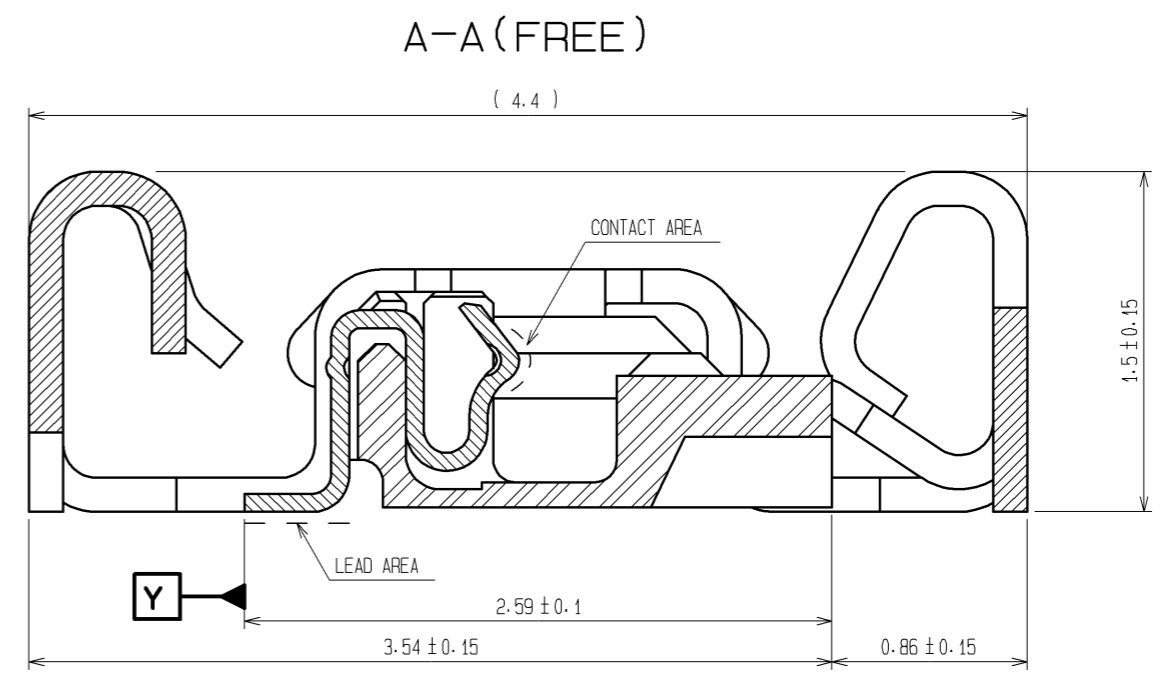
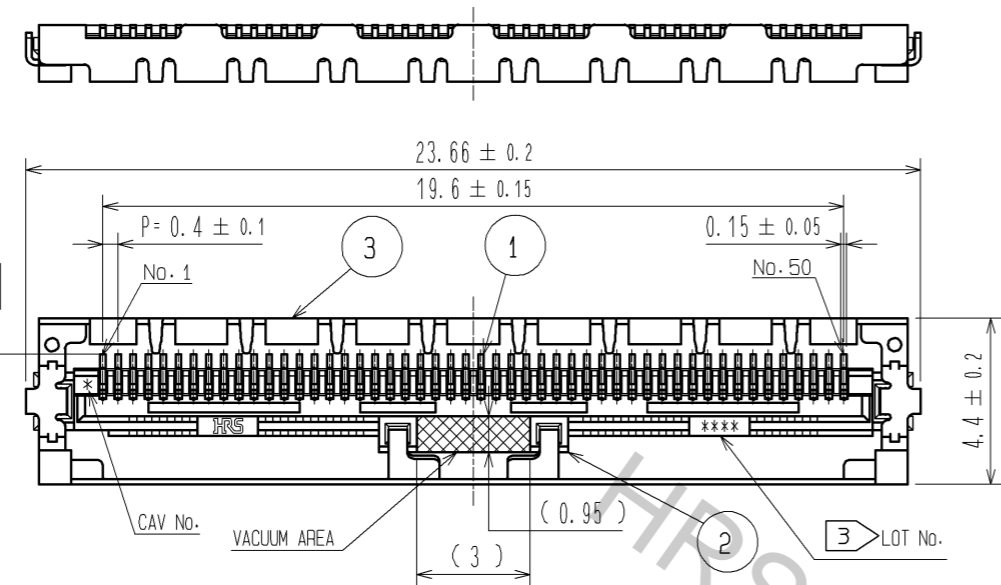


Apr.1.2017 Copyright 2017 HIROSE ELECTRIC CO., LTD. All Rights Reserved.



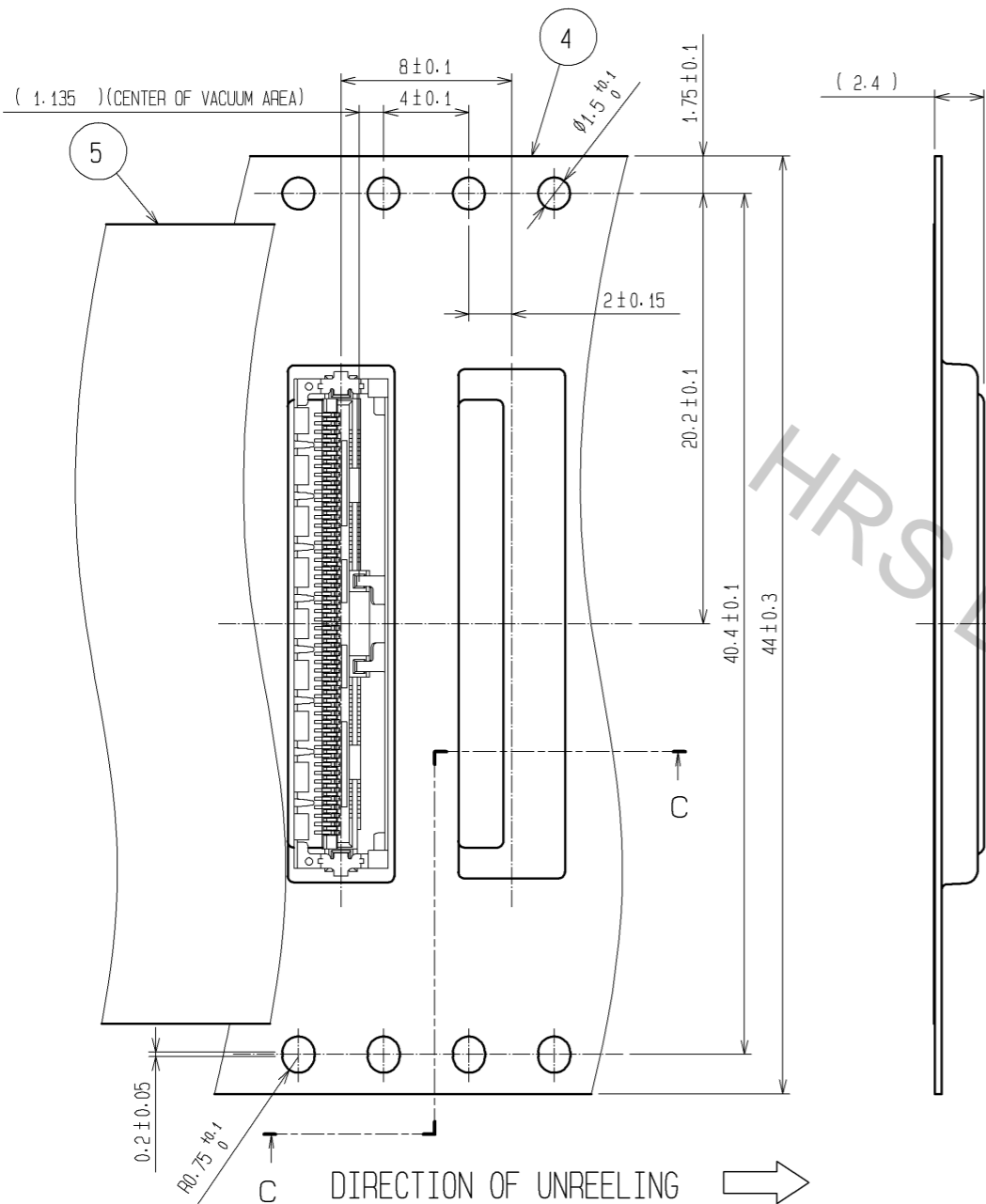
- NOTES
- LEAD CO-PLANARITY SHALL BE 0.1mm MAX.
 - STIFFENER IS REQUIRED FOR MOUNTING ONTO FPC IN ORDER TO AVOID STRESS BY FPC SLACKING TO MOUNTED CONNECTOR.
 - LOT No. INFORMATION IS SHOWN IN THE TABLE.
EXAMPLE:8GFD
-YEAR:2008 MONTH:July DAY:15 LINE No.:4
 - UNMATING SHALL BE DONE WITH THE SPECIFIC EXTRACTION TOOL.
 - SOLDERING REWORK IS NOT POSSIBLE SINCE SOLDERING LEADS ARE COVERED BY METAL SHIELDING.

YEAR	MONTH	DAY			LINE No.						
YEAR	CODE	MONTH	CODE	DAY	CODE	DAY	CODE	DAY	CODE	LINE No.	CODE
10	0	Jan	A	1	1	11	B	21	M	1	A
11	1	Feb	B	2	2	12	C	22	N	2	B
12	2	Mar	C	3	3	13	D	23	P	3	C
13	3	Apr	D	4	4	14	E	24	Q	4	D
14	4	May	E	5	5	15	F	25	R	5	E
15	5	Jun	F	6	6	16	G	26	S	6	F
16	6	Jul	G	7	7	17	H	27	T	7	G
17	7	Aug	H	8	8	18	J	28	U	8	H
08	8	Sep	I	9	9	19	K	29	V	9	I
09	9	Oct	J	10	A	20	L	30	W	10	J
		Nov	K					31	X		
		Dec	L								

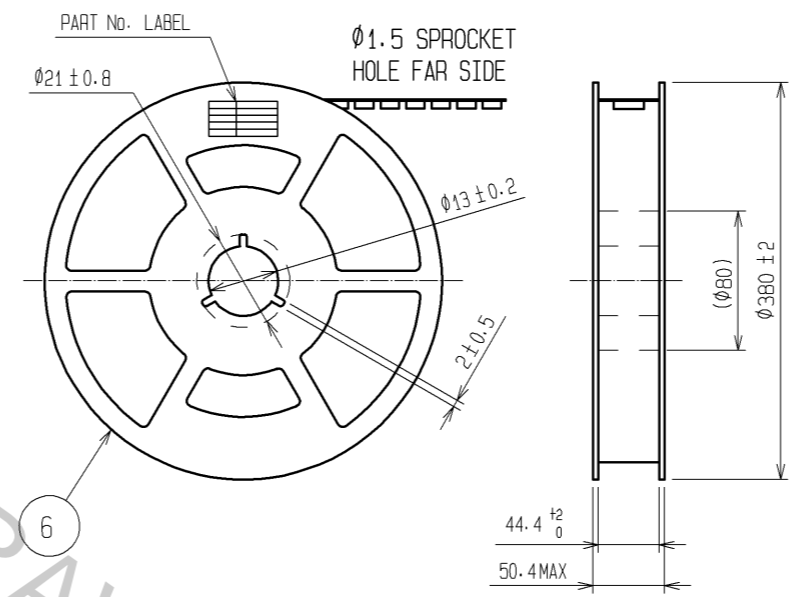
NO.	MATERIAL	FINISH	REMARKS	NO.	MATERIAL	FINISH	REMARKS
2	LCP		UL94V-0. BLACK	6	PS		BLACK
1	PHOSPHOR BRONZE		CONTACT AREA : Gold PLATING 0.3µm min LEAD AREA : Gold PLATING 0.1µm min UNDER PLATING : Nickel PLATING 2µm min	5	POLYESTER		CLEAR
				4	PS		CLEAR
				3	PHOSPHOR BRONZE		WHOLE AREA : Tin PLATING 1µm min UNDER PLATING : Copper PLATING 0.2µm min

UNITS	SCALE	COUNT	DESCRIPTION OF REVISIONS	DESIGNED	CHECKED	DATE
mm	5 : 1	△				

APPROVED : KH. IKEDA	14.11.06	DRAWING NO.	EDC3-320558-03
CHECED : MH. TSUCHIDA	14.11.06	PART NO.	DF36A-50S-0.4V(55)
DESIGNED : IO. DENPOUYA	14.11.06	CODE NO.	CL662-4043-0-55
DRAWN : YJ. HAGA	14.10.23		



STYLE AND DIMENSION OF REEL (FREE)

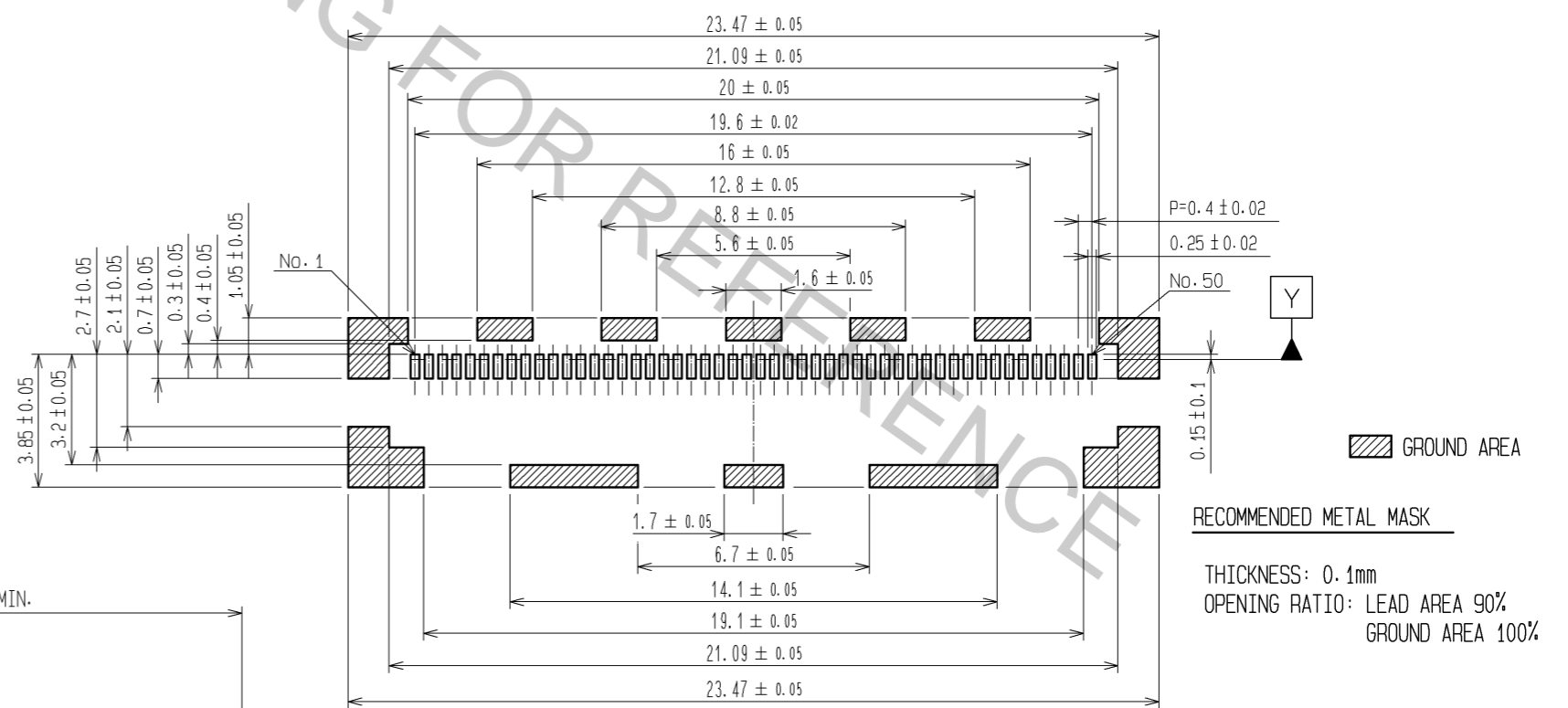


DETAIL OF PART NO. LABEL

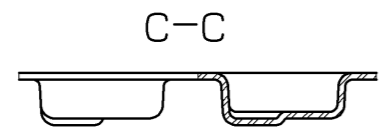
生産月日	年 月 日
製品コード	CL662-4043-0-55
製品名	DF36A-50S-0.4V(55)
納入数量	500pcs
納入者	ヒロセ電機(株)

_____ SUPPLIER
 _____ QUANTITY
 _____ PART No.
 _____ CODE No.
 _____ DATE OF MANUFACTURED

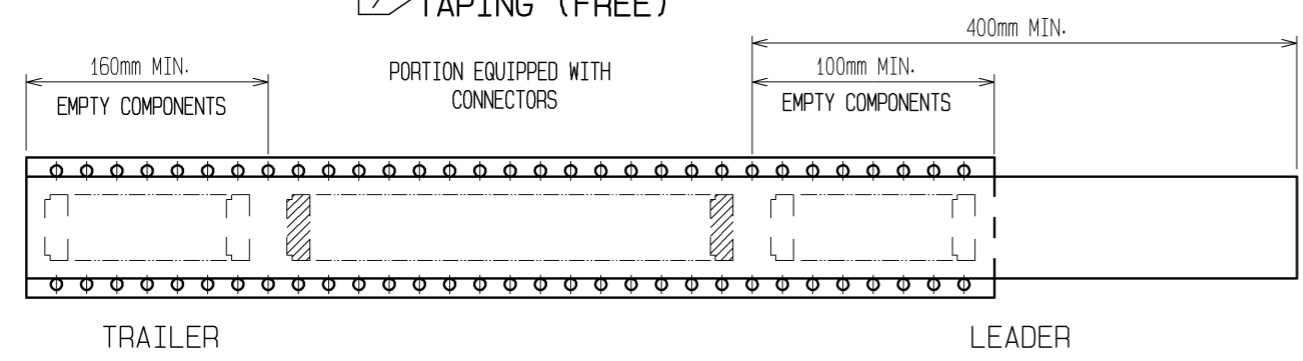
RECOMMENDED PATTERN



DIRECTION OF UNREELING →



TAPING (FREE)



NOTES 6. PER REEL: 500 COMPONENTS
 7. REFER TO JIS C 0806. (PACKAGING OF COMPONENTS FOR AUTOMATIC HANDLING)
 8. THE DIMENSIONS IN PARENTHESES ARE FOR REFERENCE.

HRS	DRAWING NO.	EDC3-320558-03
	PART NO.	DF36A-50S-0.4V(55)
	CODE NO.	CL662-4043-0-55
		△ 2/2